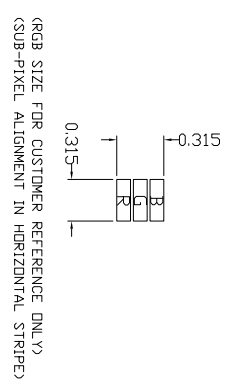
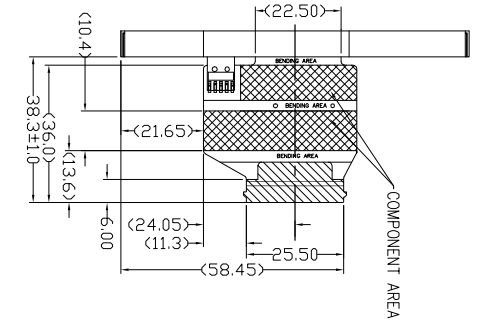
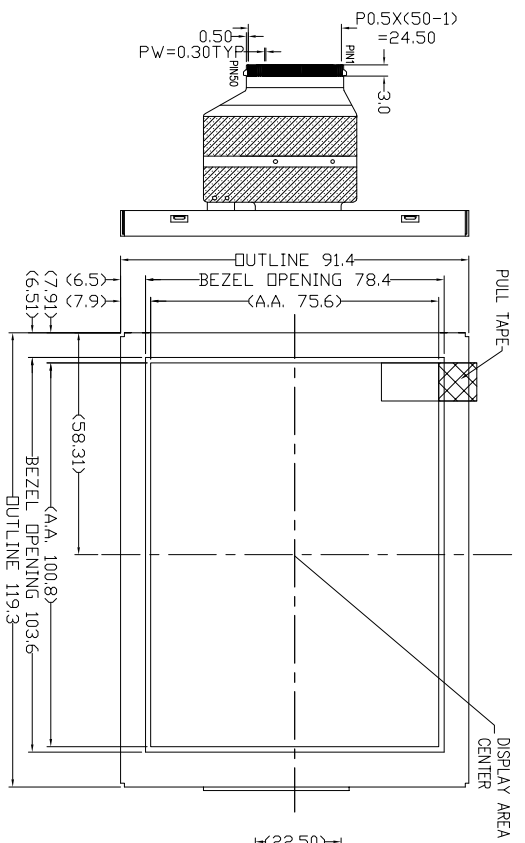
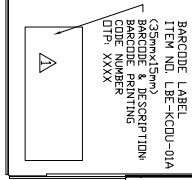
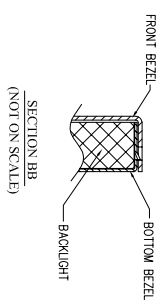
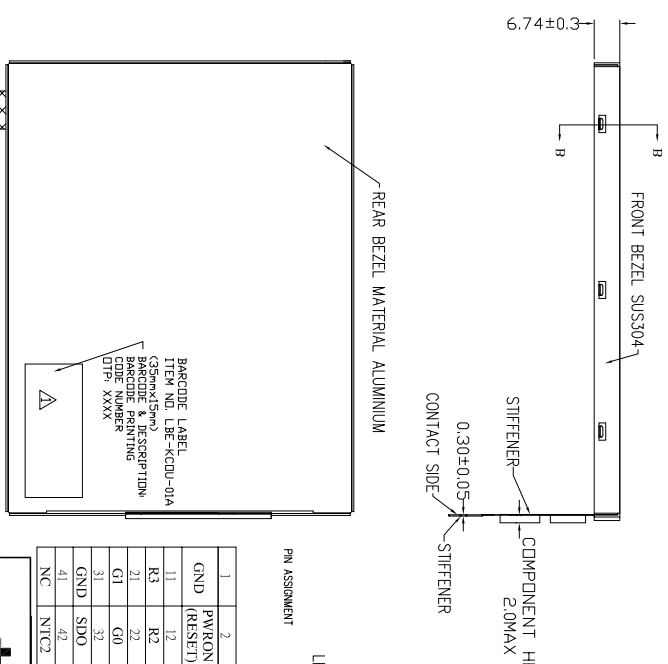


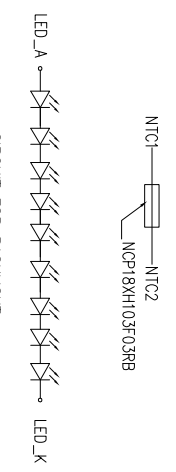
THE DRAWING ON THIS PRINT AND INFORMATION THEREON ARE PROPRIETARY TO VARRITRONIX AND SHALL NOT BE USED IN WHOLE OR IN PART WITHOUT WRITTEN PERMISSION OF VARRITRONIX.



DISPLAY TYPE	5.0" TRANSMISSIVE 282K COLOURS TFT
DISPLAY RESOLUTION	320 x 240 x RGB
DISPLAY MODE	NORMALLY BLACK
INPUT VOLTAGE (VCC)	3.3V
OPERATING TEMPERATURE	-20°C to 70°C
STORAGE TEMPERATURE	-30°C to 80°C
LUMINANCE ON MODULE SURFACE (CD/M2)	75%
LUMINANCE ON MODULE SURFACE (CD/M2)	150(TYP)
BACKLIGHT	WHITE LED
PRINTING CONDITION	150MM@31.5MM(TYP)



1	2	3	4	5	6	7	8	9	10
GND	PWIRON	VD	IHD	ENAB	GND	CLK	GND	R5	R4
11	(RESET)	12	13	14	15	16	17	18	19
R3	R2	GND	R1	R0	G5	G4	GND	G3	G2
21	22	23	24	25	26	27	28	29	30
G1	G0	GND	B5	B4	B3	B2	B1	B0	40
31	32	33	34	35	36	37	38	39	40
GND	SDO	SDI	DNC_SCL	NCS	GND	VCC	VCI	GND	NC
41	42	43	44	45	46	47	48	49	50
NC	NTC1	NTC1	GND	LED_K	NC	NC	NC	LED_A	NC



FN ASSIGNMENT
CIRCUIT FOR BACKLIGHT

- NOTES:
- 1. ◊ : SPECIAL CHARACTERISTIC
 - 2. + : SAFETY CHARACTERISTIC
 - 3. * : CRITICAL DIMENSION
 - 4. (.) : REFERENCE DIMENSION



VARRITRONIX LIMITED

TITLE: LCM Specification	
PROJECT NO.: COG-T500F2080	
CUSTOMER REF: IN	
TOLERANCE UNLESS OTHERWISE SPECIFIED:	XXX ±0.3 XXX ±0.1 ANGULAR ±1°
DIMENSIONS IN MM	
MATERIAL: N/A	FINISH: N/A
SCALE: DO NOT USE ON SCALE	OVERALL THK: N/A
THIRD ANGLE PROJECTION	
DRAWN: Jackson Tang	DATE: 11.01.14
CHECKED: Y.M. Chan	
APPROVED: Leo Chow	
ITEM NO.: COG-T500F2080-X1	
DESCRIPTION: COG-T500F2080-X1 SPEC	
FILE NO.: COG-T500F2080-X1 REV: 1	
SHEET 1 OF 1	