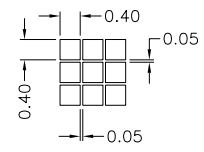
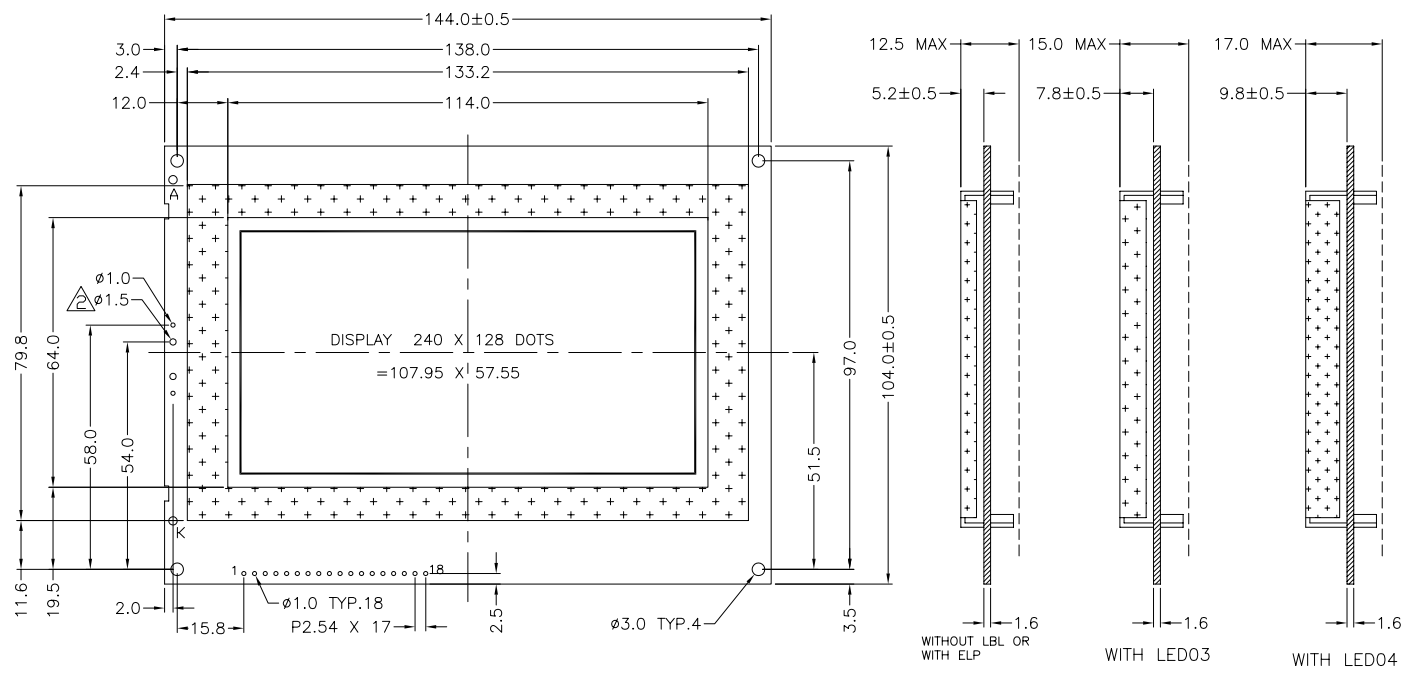
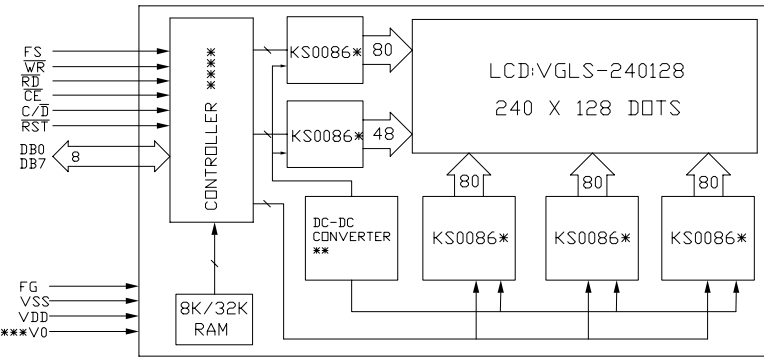


The drawing on this print and information therewith are proprietary to Varitronix and shall not be used in whole or in part without written permission of Varitronix.

ISSUE	AMENDMENT	DATE
	CHANGE IC T6A40&T6A39 TO KS0086 &ADD LED05	04.06.08
	UPDATE DIMENSION	05.12.01



1	2	3	4	5	6	7	8	9	10	11	12	13	14	15	16	17	18
FG	VSS	VDD	V0***	/WR	/RD	/CE	C/D	/RST	DB0	DB1	DB2	DB3	DB4	DB5	DB6	DB7	FS



\* KS0086 OR EQUIVALENT  
 \*\* OPTIONAL  
 \*\*\* PIN4 WILL BE NC FOR MODULE WITH DC-DC CONVERTER  
 \*\*\*\*T6963C OR EQUIVALENT

NOTES:  
 1. : SPECIAL CHARACTERISTIC  
 2. + : SAFETY CHARACTERISTIC  
 3. : CRITICAL DIMENSION  
 4. (...): REFERENCE DIMENSION

TITLE: LCM Module Specification			
PROJECT NO: MGLS240128TZ			
TOLERANCE UNLESS OTHERWISE SPECIFIED:	X.X ±0.3	X.XX ±0.1	
DIMENSIONS IN MM	ANGULAR: ±1°		
MATERIAL: N/A	FINISH: N/A		
SCALE: DO NOT ON SCALE	OVERALL THK: N/A		
THIRD ANGLE PROJECTION			
	NAME	SIGN	DATE
DRAWN:	XB LONG		
CHECKED:	ZB TANG		
APPROVED:	CHARM		
ITEM NO.: MGLS240128TZ-XX			
DESCRIPTION: MGLS240128TZ			
FILE NO: MGLS240128TZ-XX R2   REV: 2			
SHEET	1	OF	2

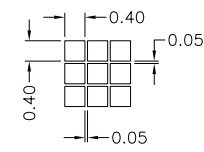
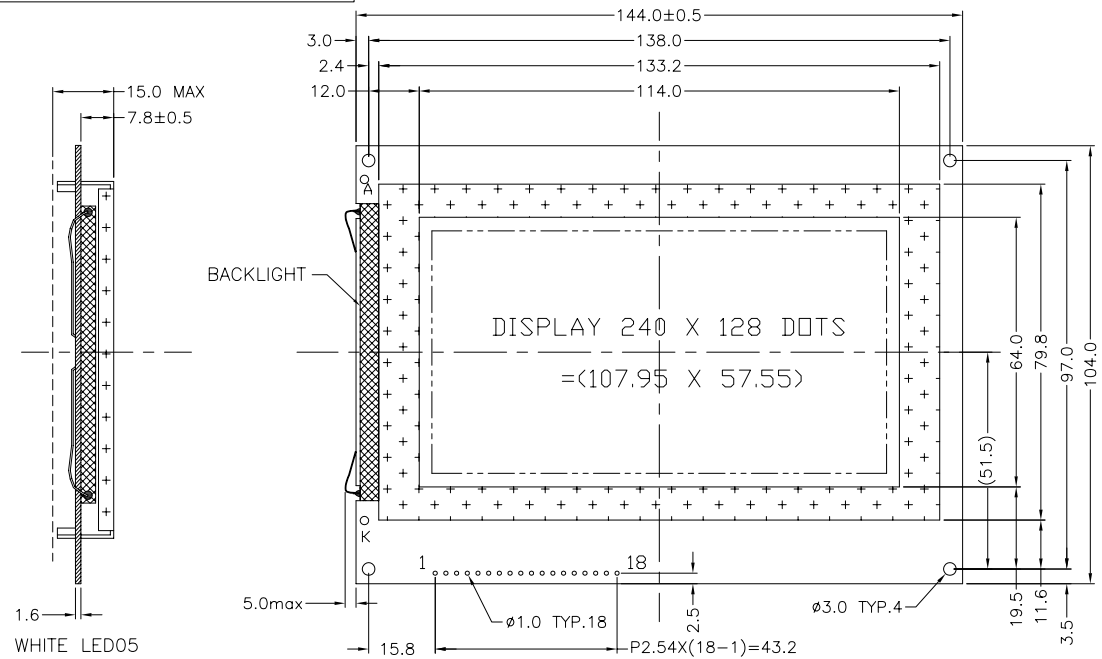


The drawing on this print and information therewith are proprietary to Varitronix and shall not be used in whole or in part without written permission of Varitronix.

ISSUE	AMENDMENT	DATE
	CHANGE IC T6A40&T6A39 TO KS0086 &ADD LED05	04.06.08
	UPDATE DIMENSION	05.12.01

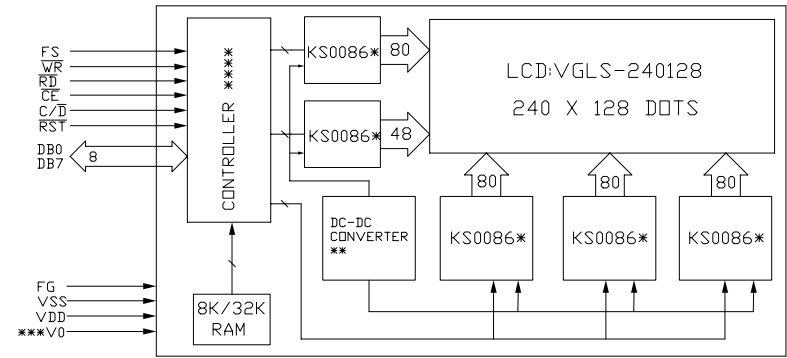
A

B



1	2	3	4	5	6	7	8	9	10	11	12	13	14	15	16	17	18
FG	VSS	VDD	V0***	/WR	/RD	/CE	C/D	/RST	DB0	DB1	DB2	DB3	DB4	DB5	DB6	DB7	FS

C



TITLE: LCM Module Specification			
PROJECT NO: MGLS240128TZ			
TOLERANCE UNLESS OTHERWISE SPECIFIED:	X.X ±0.3	X.XX ±0.1	
DIMENSIONS IN MM	ANGULAR: ±1°		
MATERIAL: N/A	FINISH: N/A		
SCALE: DO NOT ON SCALE	OVERALL THK: N/A		
THIRD ANGLE PROJECTION			
	NAME	SIGN	DATE
DRAWN:	XB LONG		
CHECKED:	ZB TANG		
APPROVED:	CHARM		
ITEM NO.: MGLS240128TZ-XX			
DESCRIPTION: MGLS240128TZ			
FILE NO: MGLS240128TZ-XX R2   REV: 2			
SHEET	2	OF	2

A

B

C

D

NOTES:  
 1. : SPECIAL CHARACTERISTIC  
 2. + : SAFETY CHARACTERISTIC  
 3. : CRITICAL DIMENSION  
 4. (...): REFERENCE DIMENSION

\* KS0086 OR EQUIVALENT  
 \*\* OPTIONAL  
 \*\*\* PIN4 WILL BE NC FOR MODULE WITH DC-DC CONVERTER  
 \*\*\*\*T6963C OR EQUIVALENT



VARITRONIX LIMITED

1

2

3

4

5

6