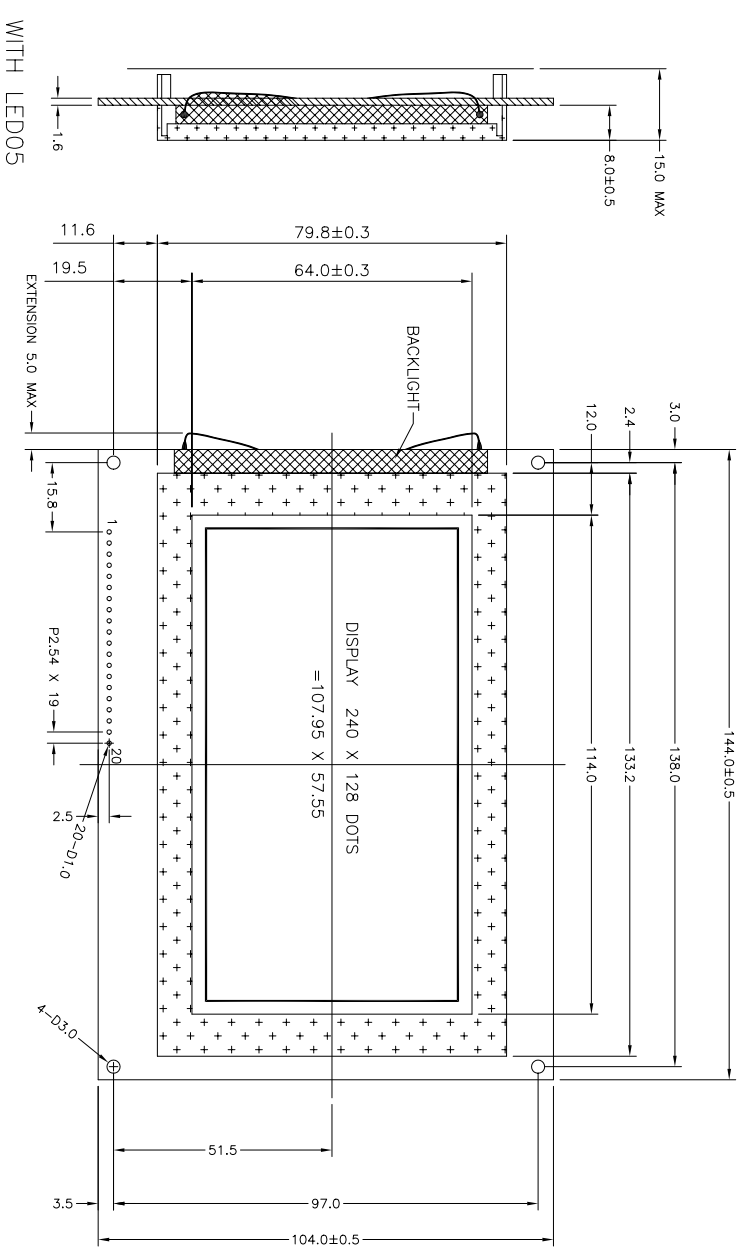
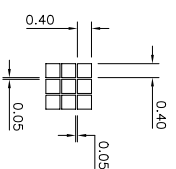
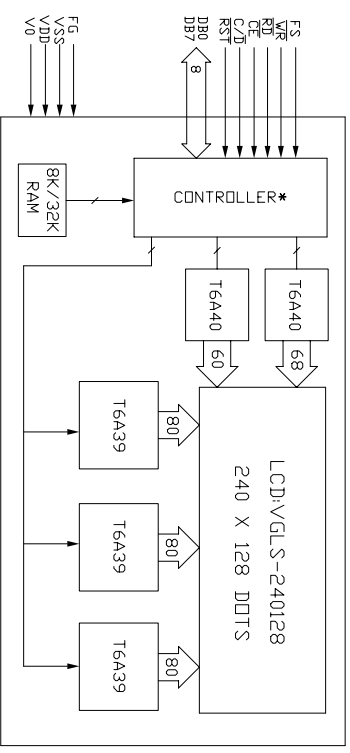


ISSUE	AMENDMENT	DATE



1	2	3	4	5	6	7	8	9	10	11	12	13	14	15	16	17	18	19	20
FG	VSS	VDD	VO	/MR	/RD	/CE	C/D	/RST	DB0	DB1	DB2	DB3	DB4	DB5	DB6	DB7	FS	LED(+)	LED(-)



NOTES:
 "◇" SPECIAL CHARACTERISTIC
 "+ +" SAFETY CHARACTERISTIC
 "O" REFERENCE ONLY
 "△" CRITICAL DIMENSION

*T6963C OR EQUIVALENT

TITLE: SPECIFICATION OF MODULE

PROJECT NO: MGLS240128TAZ

TOLERANCE UNLESS OTHERWISE SPECIFIED:
 X.X ±0.3
 X.XX ±0.1

DIMENSIONS IN MM

MATERIAL: FINISH: THICKNESS:

SCALE: DO NOT ON SCALE

THIRD ANGLE PROJECTION

DRAWN NAME: WANG YONGLANG

CHECKED NAME: HE ZUOBING

APPROVED NAME: CHAARM

ITEM NO. MGLS240128TAZ-XX

DESCRIPTION: MGLS240128TAZ

FILE NO: MGLS240128TAZ-XX R0.DWG/REV 0

