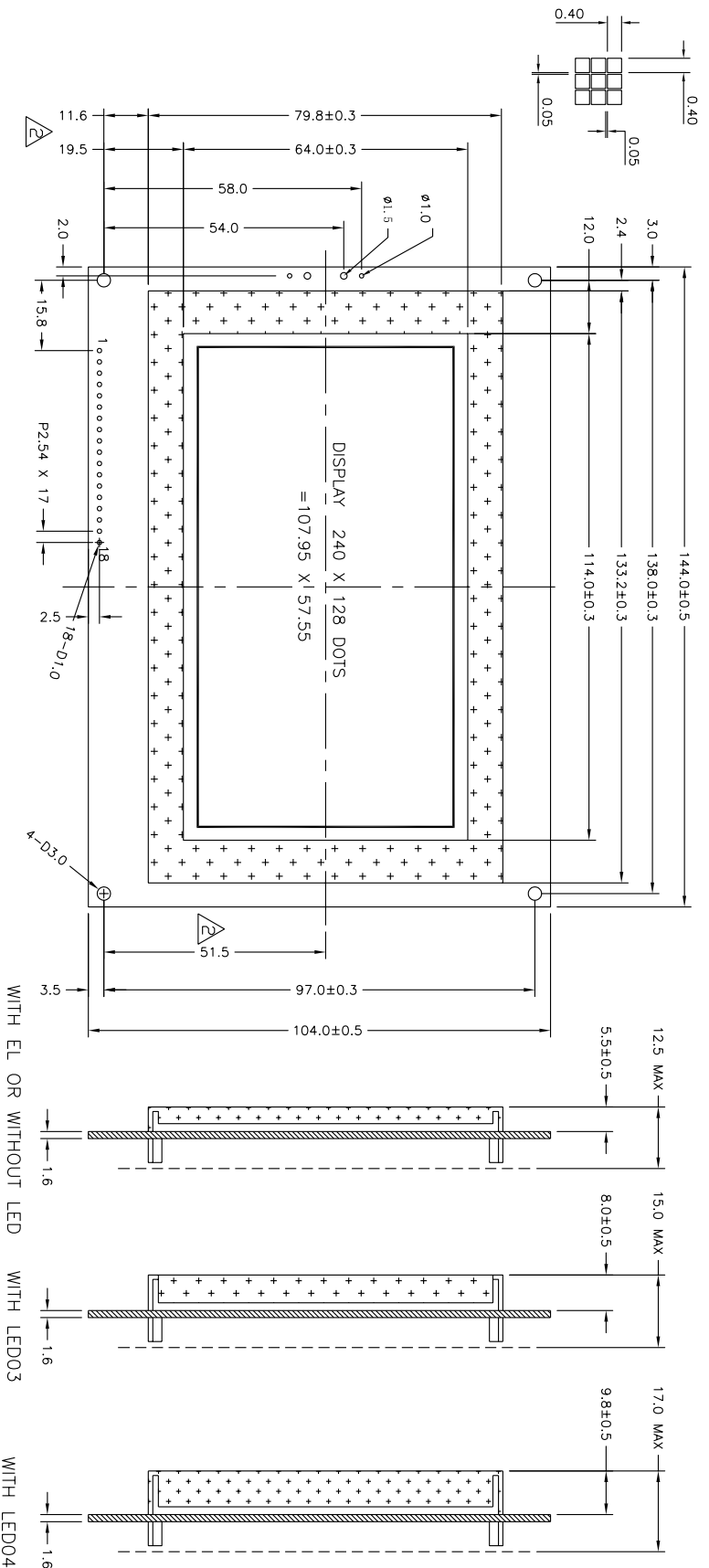
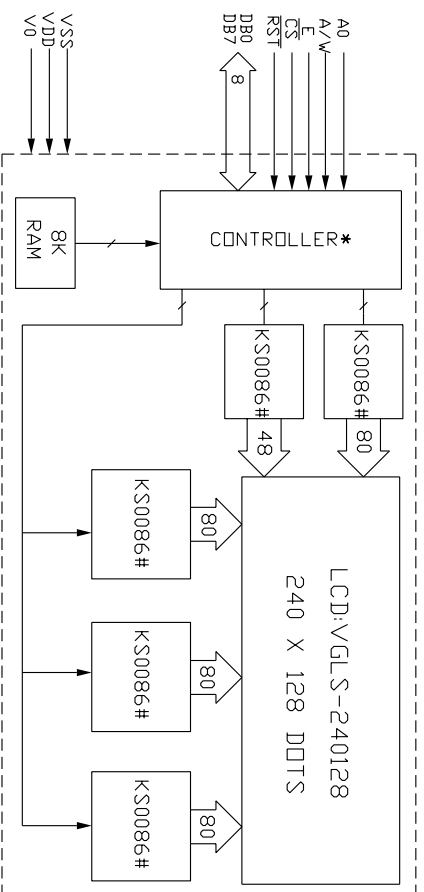


ISSUE	AMENDMENT	DATE
△	CHANGE PINS ANODE AND CATHODE	02.02.07
△	UPDATE DIMENSION AND ADD LED05	04.03.15



PIN	1	2	3	4	5	6	7	8	9	10	11	12	13	14	15	16	17	18
80 SERIES(Default)	GND	VCC	VO	A0	/WR	/RD	DB0	DB1	DB2	DB3	DB4	DB5	DB6	DB7	/CS	/RST	LED-	LED+
68 SERIES	GND	VCC	VO	A0	R/W	E	DB0	DB1	DB2	DB3	DB4	DB5	DB6	DB7	/CS	/RST	LED-	LED+

NOTES:
 ◇ SPECIAL CHARACTERISTIC
 + SAFETY CHARACTERISTIC
 ○ REFERENCE ONLY
 △ CRITICAL DIMENSION



* SED1330 OR EQUIVALENT
 # KS0086 OR EQUIVALENT



VARRTRONIX LIMITED

TITLE: SPECIFICATION OF MODULE

PROJECT NO: MGLS240128E

TOLERANCE UNLESS OTHERWISE SPECIFIED:
 X.X ±0.3
 X.XX ±0.1

DIMENSIONS IN MM MATERIAL: FINISH: THICKNESS:

SCALE: DO NOT ON SCALE THIRD ANGLE PROJECTION

THIRD ANGLE PROJECTION	NAME	SIG	DATE
DRAWN	LUO XIAN GANG		04.03.15
CHECKED	HE ZUO BING		
APPROVED	CHARM		

ITEM NO. MGLS240128E-XX

DESCRIPTION: MGLS240128E

FILE NO: MGLS240128E-XX R2.DWG REV 2

SHEET 1 OF 2

