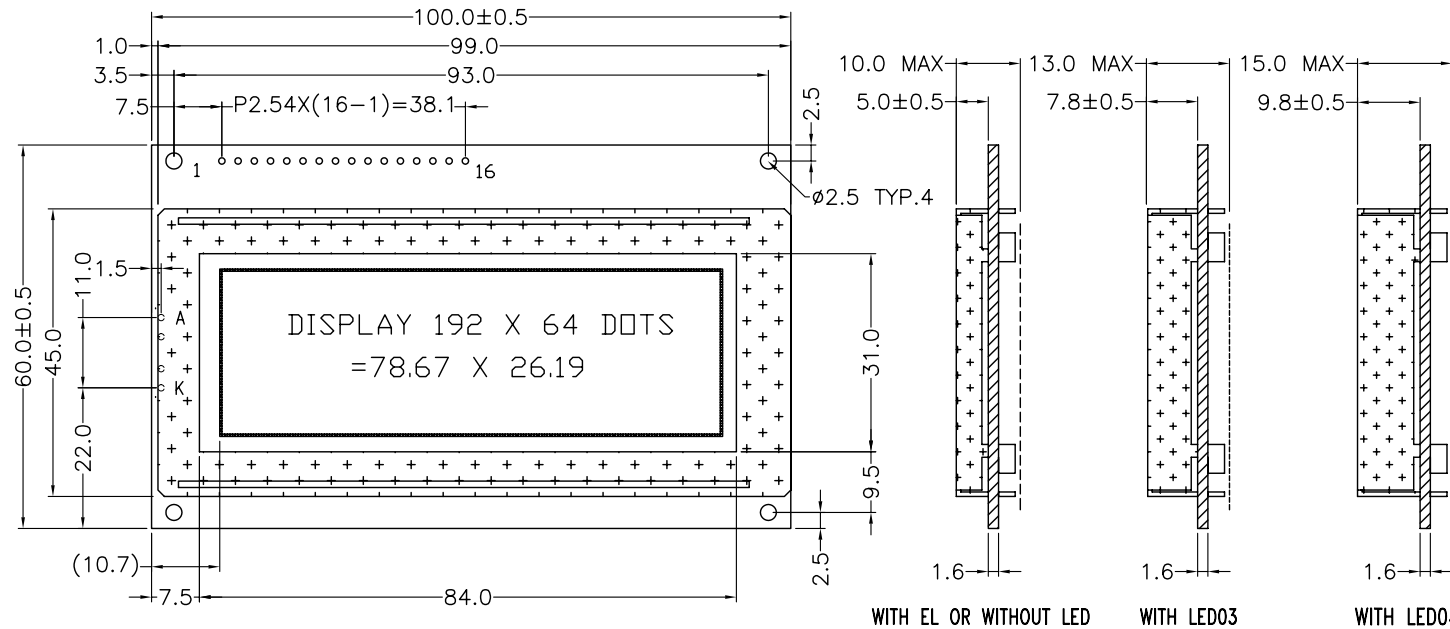
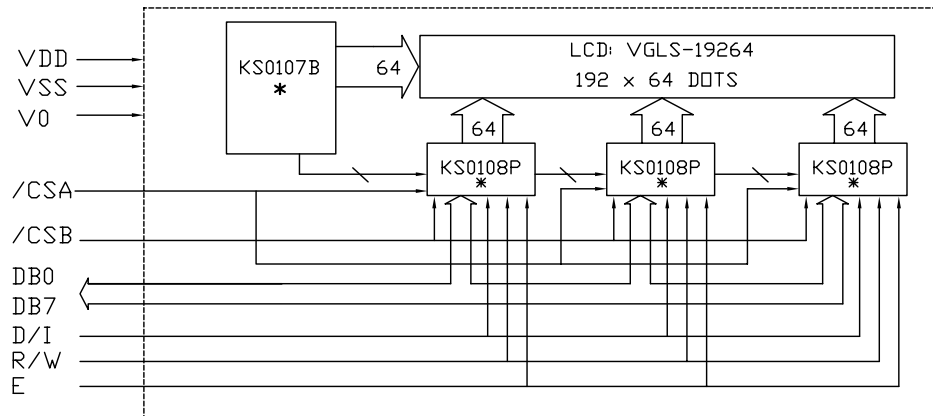


THE DRAWING ON THIS PRINT AND INFORMATION THEREWITH ARE PROPRIETARY TO VARITRONIX AND SHALL NOT BE USED IN WHOLE OR IN PART WITHOUT WRITTEN PERMISSION OF VARITRONIX.

ISSUE	AMENDMENT	DATE
△ <sup>1</sup>	ADD PAGE 2 FOR LED05	2007.03.22



16 PIN CONNECTION	1	2	3	4	5	6	7	8	9	10	11	12	13	14	15	16
	/CSA	/CSB	VSS	VDD	V0	D/I	R/W	E	DB0	DB1	DB2	DB3	DB4	DB5	DB6	DB7



\* OR EQUIVALENT

- NOTES:**
- ◇ : SPECIAL CHARACTERISTIC
  - + : SAFETY CHARACTERISTIC
  - ▽ : CRITICAL DIMENSION
  - (.) : REFERENCE DIMENSION



VARITRONIX LIMITED

TITLE: LCM Module Specification  
PROJECT NO: MGLS19264Z

CUSTOMER REF:

TOLERANCE UNLESS OTHERWISE SPECIFIED: X.X ±0.3  
X.XX ±0.1

DIMENSIONS IN MM ANGULAR: ± 1°

MATERIAL: N/A FINISH: N/A

SCALE: DO NOT ON SCALE OVERALL THK: N/A

THIRD ANGLE PROJECTION

	NAME	SIGN	DATE
DRAWN:	LONG XIAO BI		
CHECKED:	HELEN HE		
APPROVED:	CHARM		

ITEM NO.: MGLS19264Z-XX

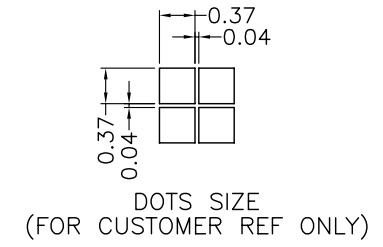
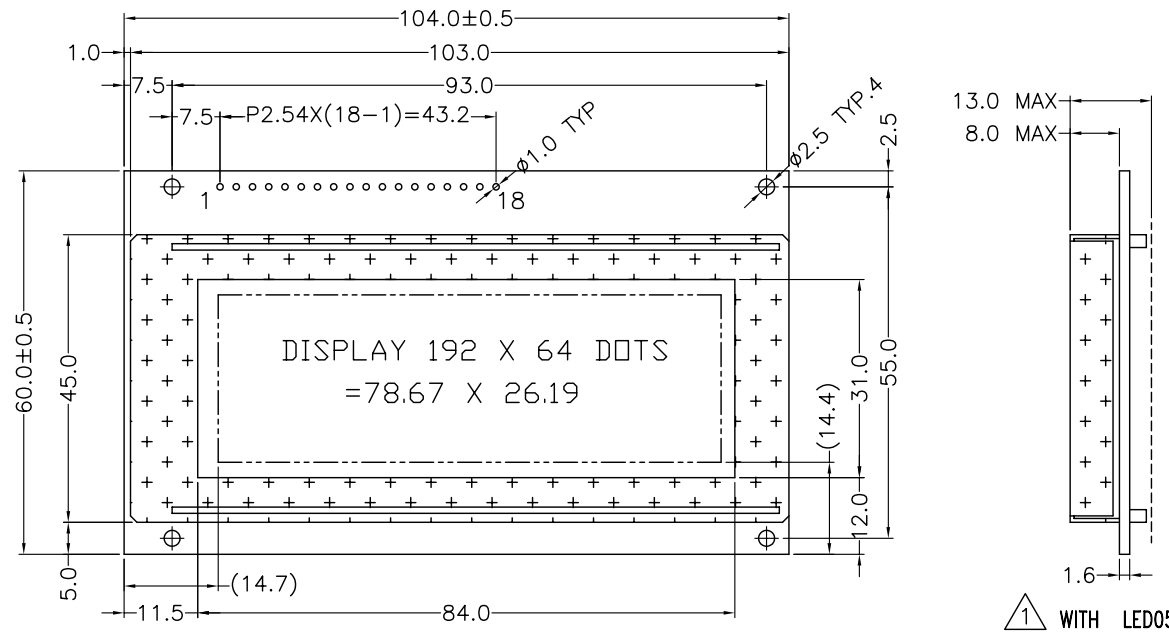
DESCRIPTION: MGLS19264Z-XX

FILE NO: MGLS19264Z-XX | REV: 1

SHEET 1 OF 2

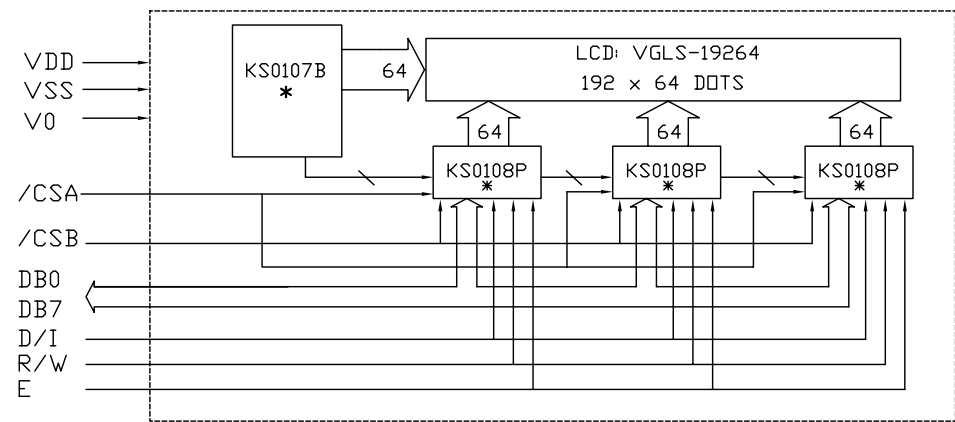
THE DRAWING ON THIS PRINT AND INFORMATION THEREWITH ARE PROPRIETARY TO VARITRONIX AND SHALL NOT BE USED IN WHOLE OR IN PART WITHOUT WRITTEN PERMISSION OF VARITRONIX.

ISSUE	AMENDMENT	DATE
△ <sup>1</sup>	ADD PAGE 2 FOR LED05	2007.03.22



△<sup>1</sup> WITH LED05

1	2	3	4	5	6	7	8	9	10	11	12	13	14	15	16	17	18
/CSA	/CSB	VSS	VDD	V0	D/I	R/W	E	DB0	DB1	DB2	DB3	DB4	DB5	DB6	DB7	A	K



\* OR EQUIVALENT

- NOTES:**
- 1 ◇ : SPECIAL CHARACTERISTIC
  - 2 + : SAFETY CHARACTERISTIC
  - 3 ▽ : CRITICAL DIMENSION
  - 4 (..) : REFERENCE DIMENSION



VARITRONIX LIMITED

TITLE: LCM Module Specification		
PROJECT NO: MGLS19264Z		
CUSTOMER REF:		
TOLERANCE UNLESS OTHERWISE SPECIFIED:	X.X ±0.3	X.XX ±0.1
DIMENSIONS IN MM	ANGULAR: ± 1°	
MATERIAL: N/A	FINISH: N/A	
SCALE: DO NOT ON SCALE	OVERALL THK: N/A	
THIRD ANGLE PROJECTION		
	NAME	SIGN
DRAWN:	LONG XIAO BI	
CHECKED:	HELEN HE	
APPROVED:	CHARM	
ITEM NO.: MGLS19264Z-XX		
DESCRIPTION: MGLS19264Z-XX		
FILE NO: MGLS19264Z-XX   REV: 1		
SHEET	2 OF 2	