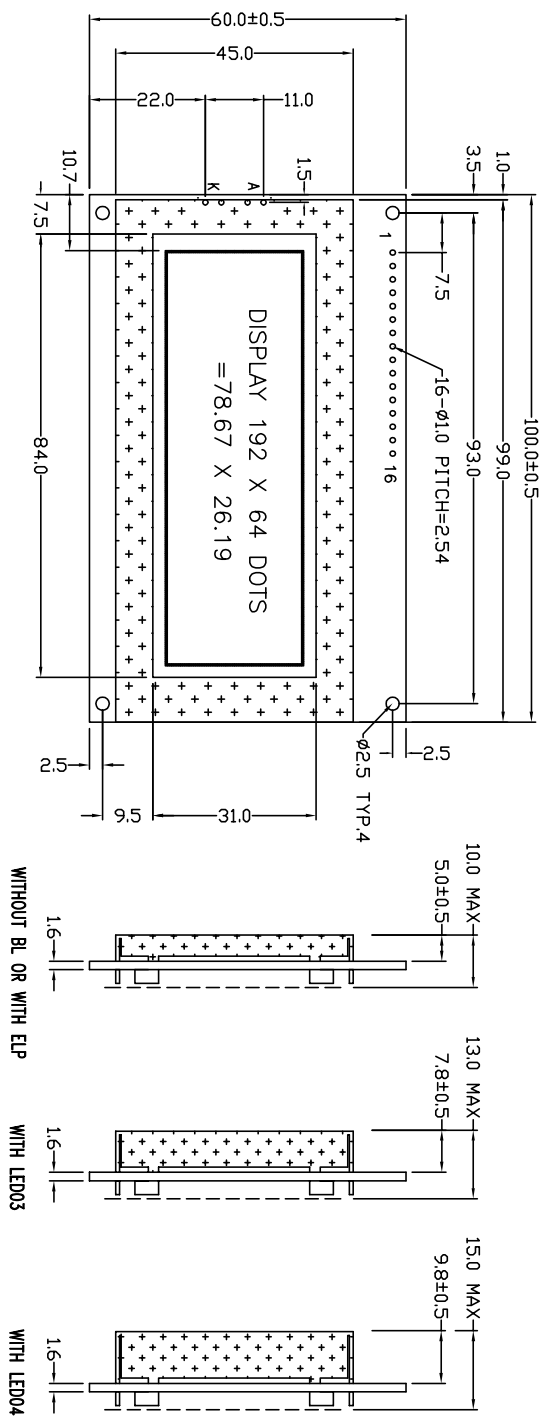
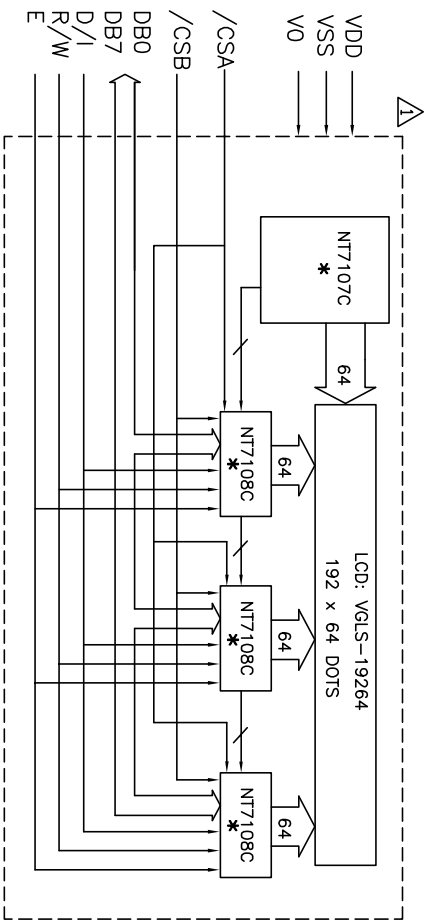


The information contained in this document is proprietary to VARRITRONIX LTD. and shall be protected from any reproduction in part or as a whole without Varritronix's written approval.



16 PIN CONNECTION	1	2	3	4	5	6	7	8	9	10	11	12	13	14	15	16
/CSA	/CSB	VSS	VDD	VO	D/I	R/W	E	DB0	DB1	DB2	DB3	DB4	DB5	DB6	DB7	



NOTES:
 ⚠ SPECIAL CHARACTERISTIC
 ⚠ SAFETY CHARACTERISTIC
 ⚠ REFERENCE ONLY
 ⚠ CRITICAL DIMENSION


VARRITRONIX LIMITED

TITLE: MODULE SPEC DRAWING	
PROJECT NO.: MGLS19264D	
TOLERANCE UNLESS OTHERWISE SPECIFIED:	XX ±0.3 XXX ±0.1 ANGULAR ±1°
DIMENSIONS IN MM	
MATERIAL: N/A	FINISH: N/A
SCALE: DO NOT DR SCALE OVERALL THK: SEE DRAWING	
THIRD ANGLE PROJECTION	
DRAWN:	LONG XIAD BI
CHECKED:	FENG NAN
APPROVED:	CHARM
DATE:	
ITEM NO.: MGLS19264D-XX	
DESCRIPTION: MGLS19264D-XX SPEC	
FILE NO.: MGLS19264D-XX R1 REV: 1	
SHEET	1 OF 1