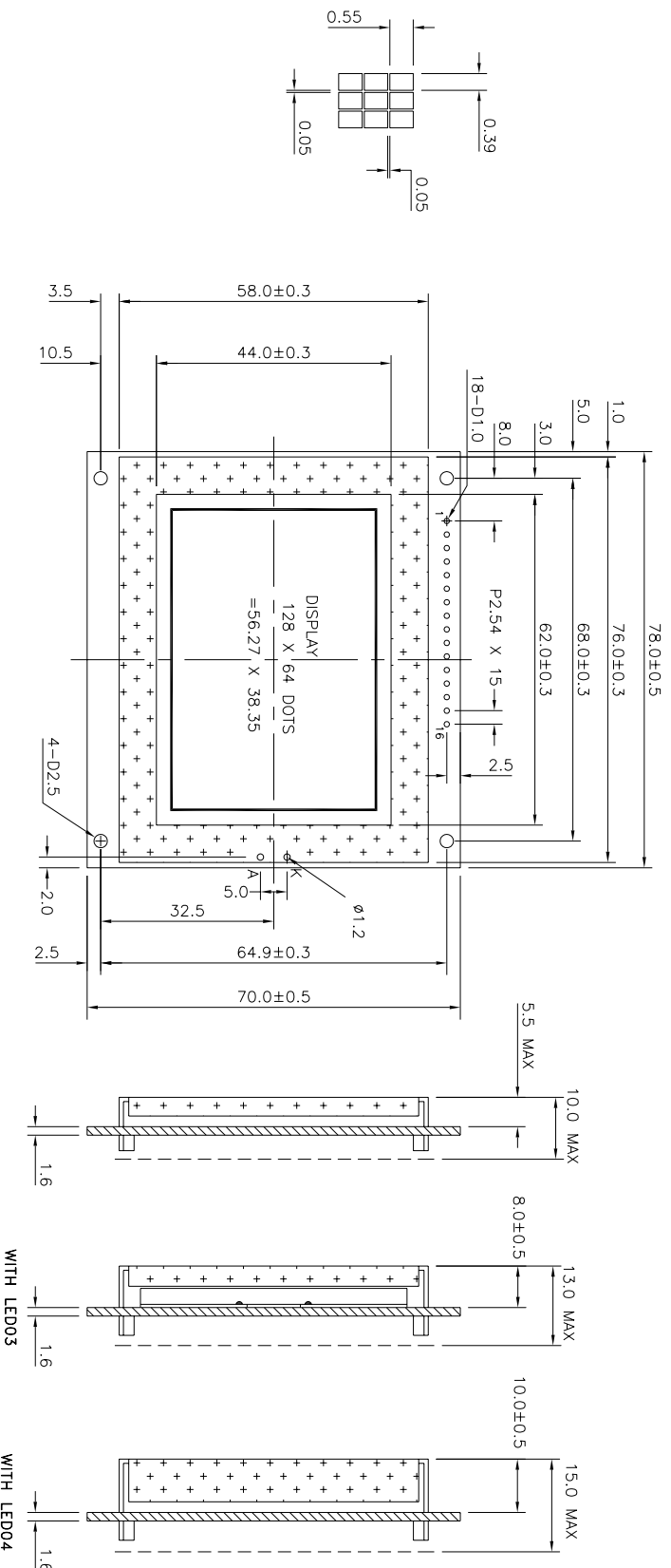
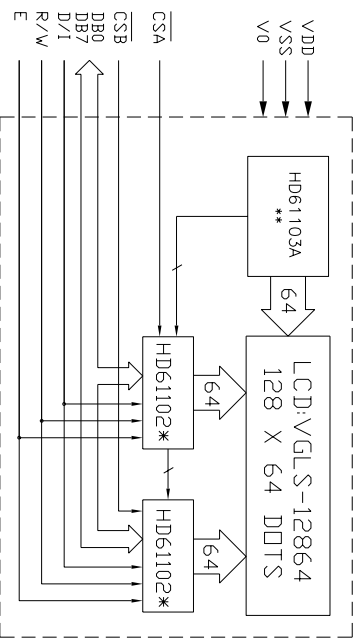


ISSUE	AMENDMENT	DATE



1	2	3	4	5	6	7	8	9	10	11	12	13	14	15	16
CSA	CSB	GND	VCC	VO	D/I	R/W	E	DB0	DB1	DB2	DB3	DB4	DB5	DB6	DB7

- NOTES:**
- ◇ : SPECIAL CHARACTERISTIC
 - + : SAFETY CHARACTERISTIC
 - ▽ : CRITICAL DIMENSION
 - (...): REFERENCE DIMENSION



** OR EQUIVALENT

TITLE: SPECIFICATION OF MODULE

PROJECT NO: MGLS-12864Z

TOLERANCE UNLESS OTHERWISE SPECIFIED:
X.X ±0.3
X.XX ±0.1

DIMENSIONS IN MM
MATERIAL: FINISH:
SCALE: DO NOT ON SCALE THICKNESS:

THIRD ANGLE PROJECTION

DRAWN	NAME	SIGN	DATE
CHECKED	WANG YONGLIANG		03.12.11
APPROVED	TANG ZHAOBIN		
	CHARM		

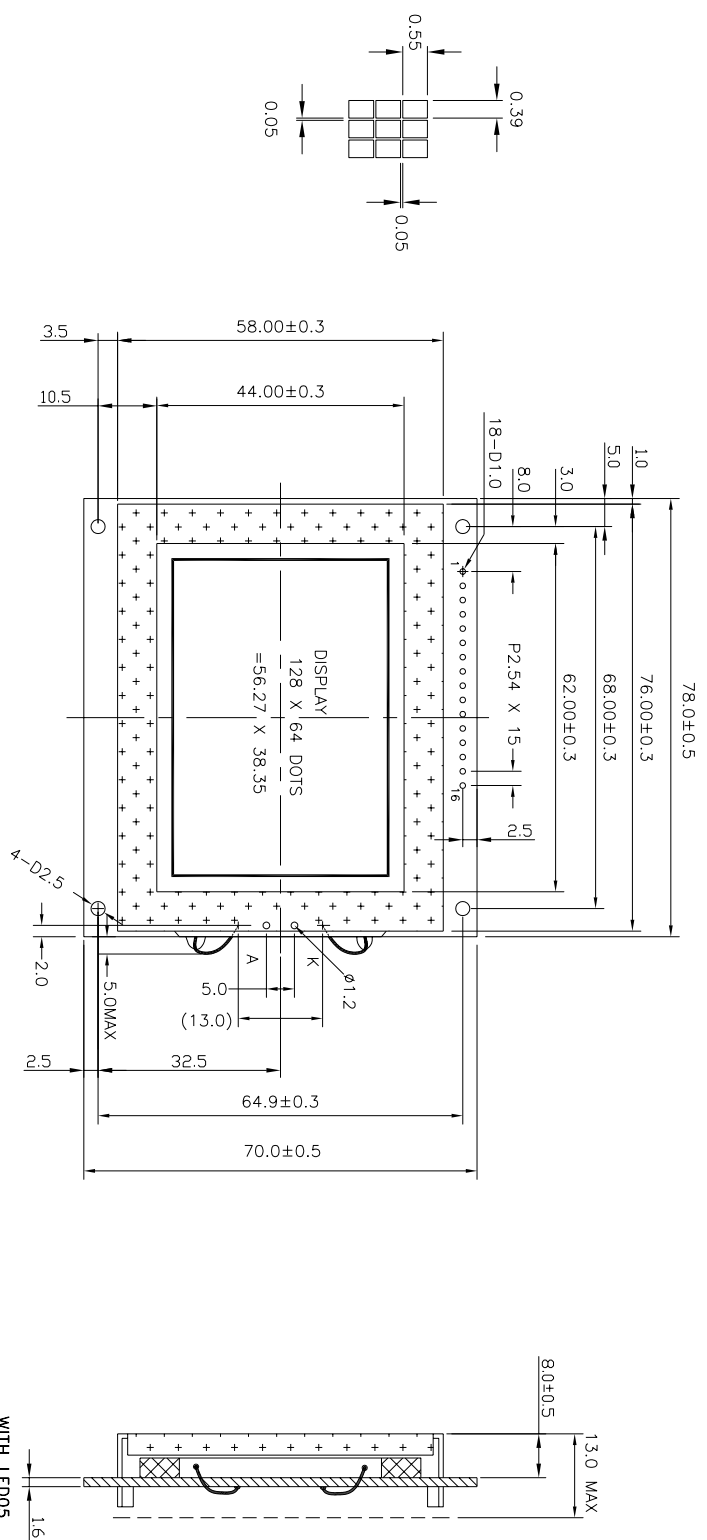
ITEM NO. MGLS12864Z-XX

DESCRIPTION: MGLS-12864Z

FILE NO: MGLS-12864Z-XX R0.DWG/REV 0

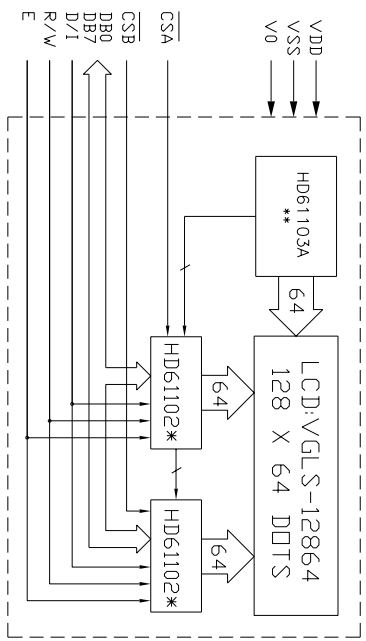


ISSUE	AMENDMENT	DATE



1	2	3	4	5	6	7	8	9	10	11	12	13	14	15	16
CSA	CSB	GND	VCC	VO	D/I	R/W	E	DB0	DB1	DB2	DB3	DB4	DB5	DB6	DB7

- NOTES:**
- ◇ : SPECIAL CHARACTERISTIC
 - + : SAFETY CHARACTERISTIC
 - ▽ : CRITICAL DIMENSION
 - (...) : REFERENCE DIMENSION



** OR EQUIVALENT

TITLE: SPECIFICATION OF MODULE

PROJECT NO: MGLS-12864Z

TOLERANCE UNLESS OTHERWISE SPECIFIED:
X.X ±0.3
X.XX ±0.1

DIMENSIONS IN MM
MATERIAL: FINISH:
SCALE: DO NOT ON SCALE THICKNESS:

THIRD ANGLE PROJECTION

DRAWN	NAME	SIGN	DATE
CHECKED	WANG YONGLIANG		03.12.11
APPROVED	TANG ZHAOBIN		
	CHARM		

ITEM NO. MGLS12864Z-XX

DESCRIPTION: MGLS-12864Z

FILE NO: MGLS-12864Z-XX R0.DWG/REV 0

