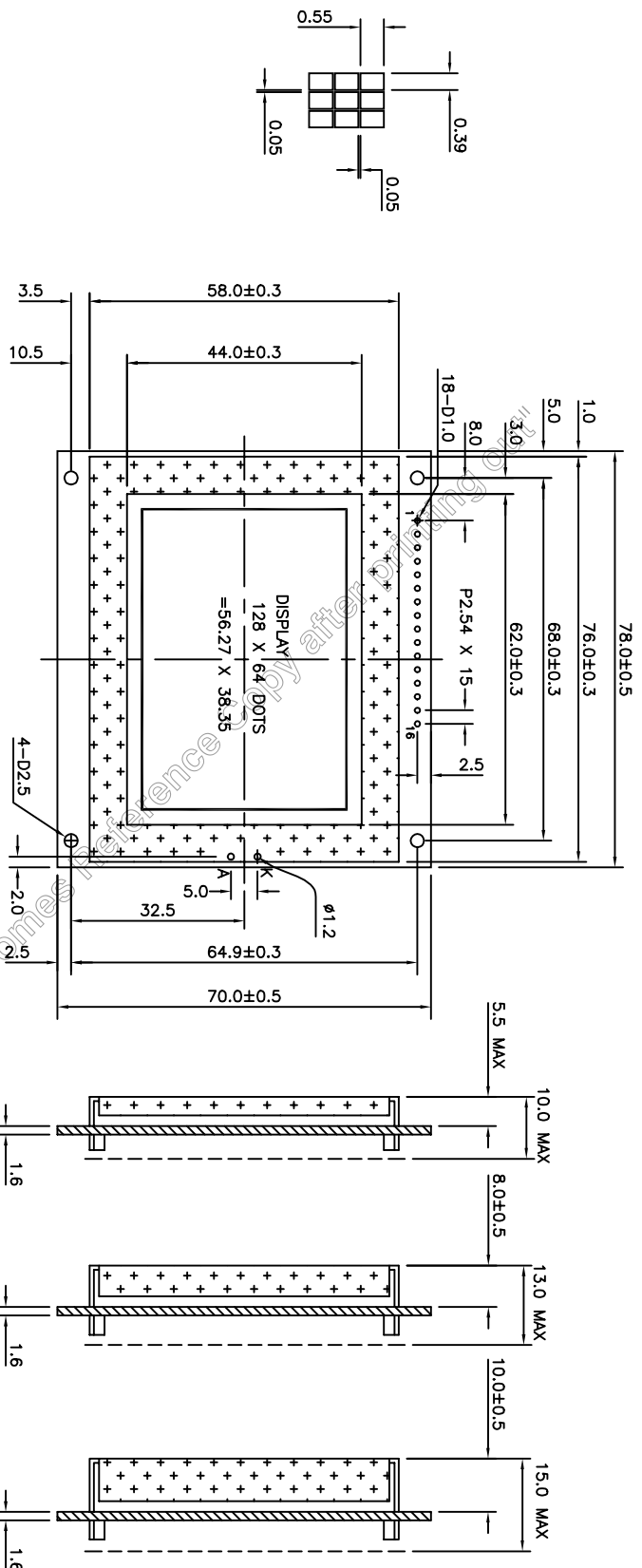
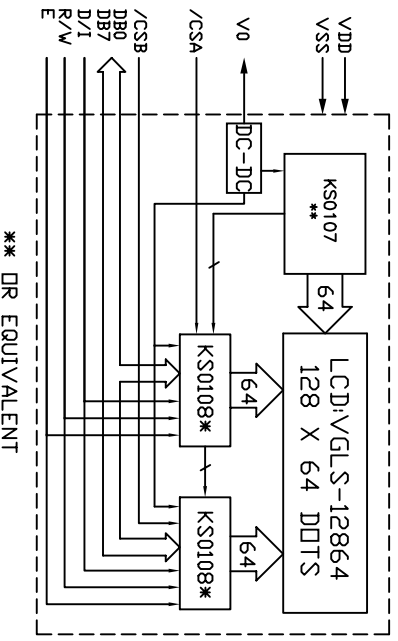


ISSUE	AMENDMENT	DATE



1	2	3	4	5	6	7	8	9	10	11	12	13	14	15	16
/CSA	/CSB	GND	VCC	VO	D/I	R/W	E	DB0	DB1	DB2	DB3	DB4	DB5	DB6	DB7



- NOTES:
- ◊ SPECIAL DIMENSION
  - ++ SAFETY CHARACTERISTIC
  - ◊ REFERENCE ONLY
  - ^ CRITICAL DIMENSION

\*\* DR EQUIVALENT

**TITLE: SPECIFICATION OF MODULE**

**PROJECT NO: MGLS-12864V3D**

TOLENCE UNLESS OTHERWISE SPECIFIED:  
 X.X ±0.3  
 X.XX ±0.1

DIMENSIONS IN MM  
 MATERIAL: FINISH:  
 SCALE: DO NOT ON SCALE THICKNESS:

THIRD ANGLE PROJECTION

DRAWN	CHECKED	APPROVED	NAME	SIGN	DATE
GAO JIN SHENG <td>MICHAEL TSE <td>CHARM</td> <td></td> <td></td> <td>02.08.05</td> </td>	MICHAEL TSE <td>CHARM</td> <td></td> <td></td> <td>02.08.05</td>	CHARM			02.08.05

**ITEM NO. MGLS12864V3D-XX**

**DESCRIPTION: MGLS-12864V3D**

**FILE NO: MGLS12864V3D-XX R0.DWG | REV 0**



**VARI TRONIX LIMITED**