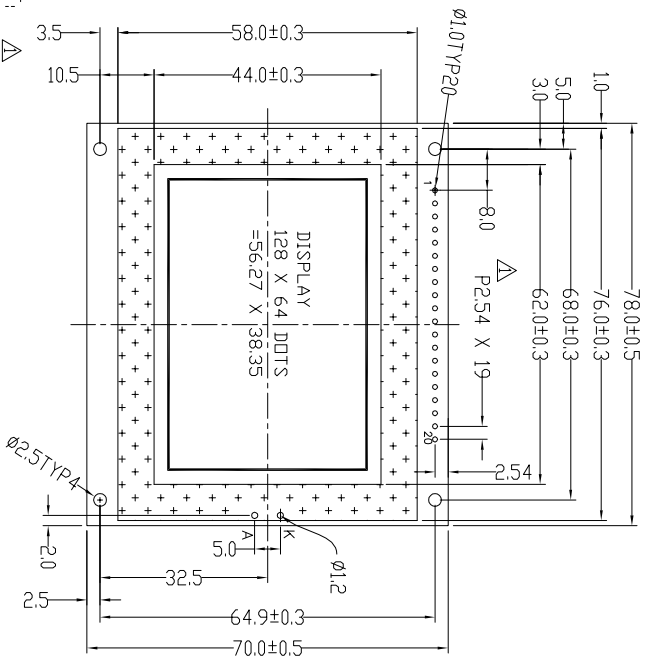
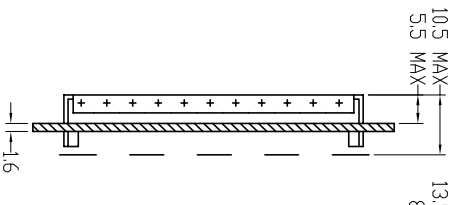


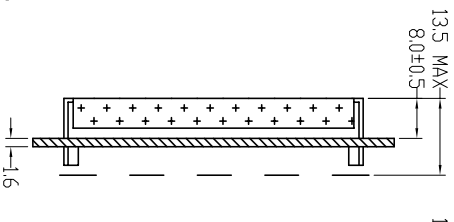
THE DRAWING ON THIS PRINT AND INFORMATION THEREON ARE PROPRIETARY TO VARRITRONIX AND SHALL NOT BE USED IN WHOLE OR IN PART WITHOUT WRITTEN PERMISSION OF VARRITRONIX.



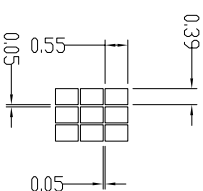
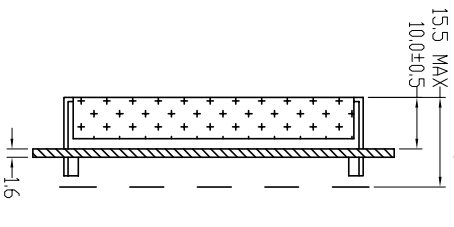
WITHOUT LED
OR WITH ELP



WITH LED03

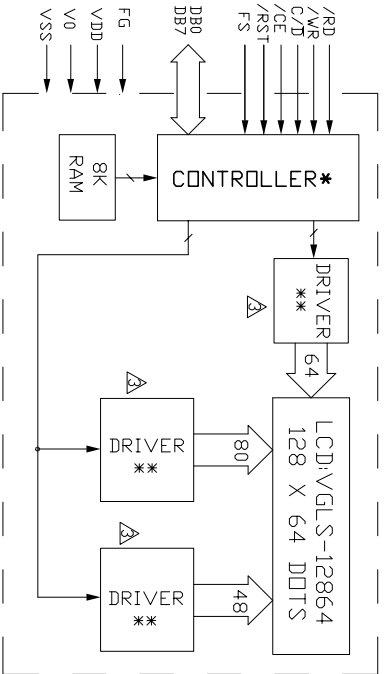


WITH LED04



PIN ASSIGNMENT: Δ

| | | | | | | | | | | | | | | | | | | | |
|----|-----|-----|----|-----|-----|-----|-----|------|-----|-----|-----|-----|-----|-----|-----|-----|----|------|------|
| 1 | 2 | 3 | 4 | 5 | 6 | 7 | 8 | 9 | 10 | 11 | 12 | 13 | 14 | 15 | 16 | 17 | 18 | 19 | 20 |
| FG | VSS | VDD | VO | /WR | /RD | /CE | C/D | /RST | DB0 | DB1 | DB2 | DB3 | DB4 | DB5 | DB6 | DB7 | FS | LED+ | LED- |



* T6963C OR EQUIVALENT
** SA3086A OR EQUIVALENT

NOTES:
1. \diamond SPECIAL CHARACTERISTIC
2. + SAFETY CHARACTERISTIC
3. ∇ CRITICAL DIMENSION
4. () REFERENCE DIMENSION

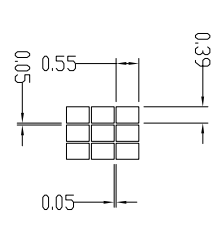
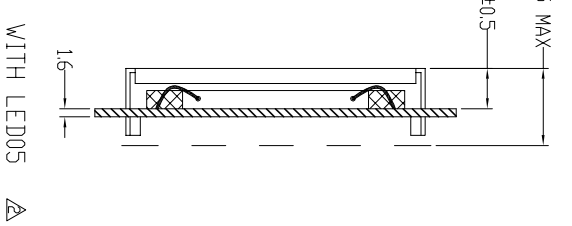
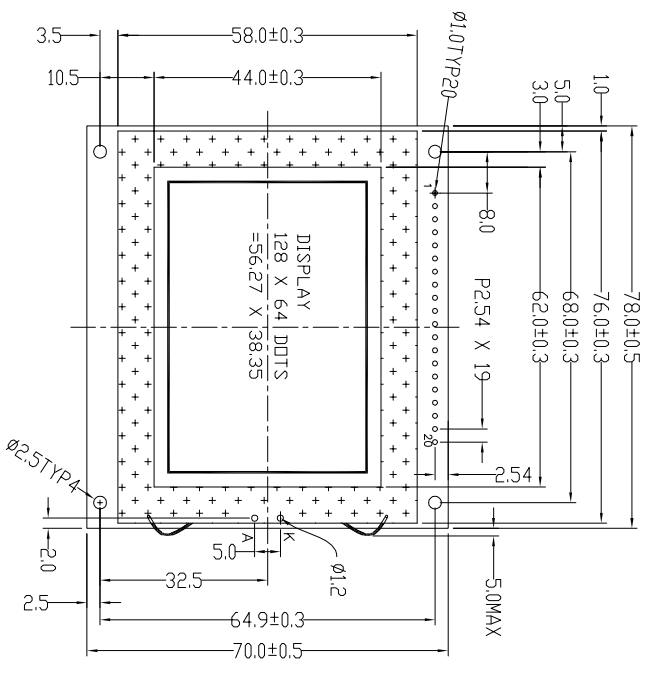
THIS PRODUCT MUST MEET ROHS COMPLIANCE REQUIREMENT



VARRITRONIX LIMITED

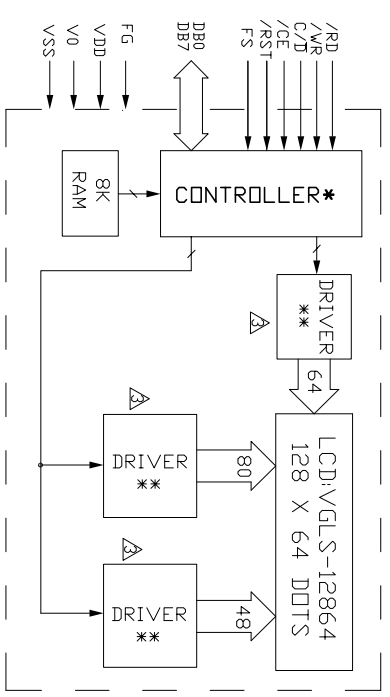
| | |
|---------------------------------------|---|
| TITLE: LCM SPECIFICATION | |
| PROJECT NO.: MGLS12864TZ | |
| CUSTOMER REF.: IN | |
| TOLERANCE UNLESS OTHERWISE SPECIFIED: | XX ± 0.3 XXX ± 0.1 ANGULAR: $\pm 1^\circ$ |
| DIMENSIONS IN MM | |
| MATERIAL: N/A | FINISH: N/A |
| SCALE: DO NOT DR SCALE | OVERALL THK: N/A |
| THIRD ANGLE PROJECTION | |
| DRAWN: YUAN BO | DATE: 10.07.27 |
| CHECKED: HU ZHONG LIN | |
| APPROVED: WANG MAN CHAM | |
| ITEM NO.: MGLS12864TZ-XX | |
| DESCRIPTION: MGLS12864TZ | |
| FILE NO.: MGLS12864TZ-XX R3 REV: 3 | |
| SHEET 1 | OF 2 |

THE DRAWING ON THIS PRINT AND INFORMATION THEREON ARE PROPRIETARY TO VARRITRONIX AND SHALL NOT BE USED IN WHOLE OR IN PART WITHOUT WRITTEN PERMISSION OF VARRITRONIX.



PIN ASSIGNMENT:

| | | | | | | | | | | | | | | | | | | | |
|----|-----|-----|----|-----|-----|-----|-----|------|-----|-----|-----|-----|-----|-----|-----|-----|----|------|------|
| 1 | 2 | 3 | 4 | 5 | 6 | 7 | 8 | 9 | 10 | 11 | 12 | 13 | 14 | 15 | 16 | 17 | 18 | 19 | 20 |
| FG | VSS | VDD | VO | /WR | /RD | /CE | C/D | /RST | DB0 | DB1 | DB2 | DB3 | DB4 | DB5 | DB6 | DB7 | FS | LED+ | LED- |



* T6963C OR EQUIVALENT
 ** SA3086A OR EQUIVALENT

- NOTES:
- 1. ◊ : SPECIAL CHARACTERISTIC
 - 2. + : SAFETY CHARACTERISTIC
 - 3. * : CRITICAL DIMENSION
 - 4. () : REFERENCE DIMENSION

5. THIS PRODUCT MUST MEET ROHS COMPLIANCE REQUIREMENT

| ISSUE | AMENDMENT | DATE |
|-------|-------------------|----------|
| 1 | ADDING LED05 | 03.12.30 |
| 2 | UPDATE THE DRIVER | 10.07.28 |

| | |
|--|---------------------|
| TITLE: LCM SPECIFICATION | |
| PROJECT NO.: MGLS12864TZ | |
| CUSTOMER REF.: IN | |
| TOLERANCE UNLESS OTHERWISE SPECIFIED: ANGULAR: ±1° | XX ±0.3 XXX ±0.1 |
| DIMENSIONS IN MM | |
| MATERIAL: N/A | FINISH: N/A |
| SCALE: DO NOT DR SCALE | OVERALL THK: N/A |
| THIRD ANGLE PROJECTION | |
| DRAWN: YUAN BO | DATE: 10.07.27 |
| CHECKED: HU ZHONG LIN | |
| APPROVED: WONG MAN CHAM | |
| ITEM NO.: MGLS12864TZ-XX | |
| DESCRIPTION: MGLS12864TZ | |
| FILE NO.: MGLS12864TZ-XX R3 | REV: 3 |
| SHEET 2 | OF 2 |



VARRITRONIX LIMITED