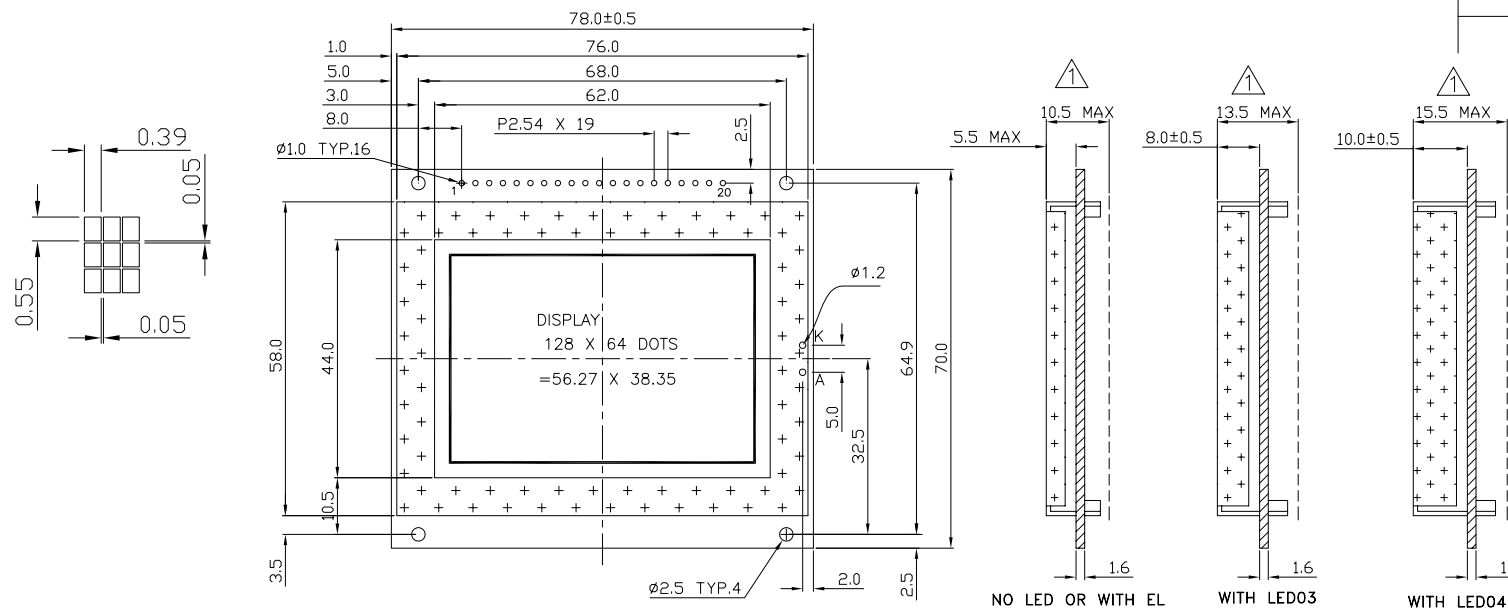
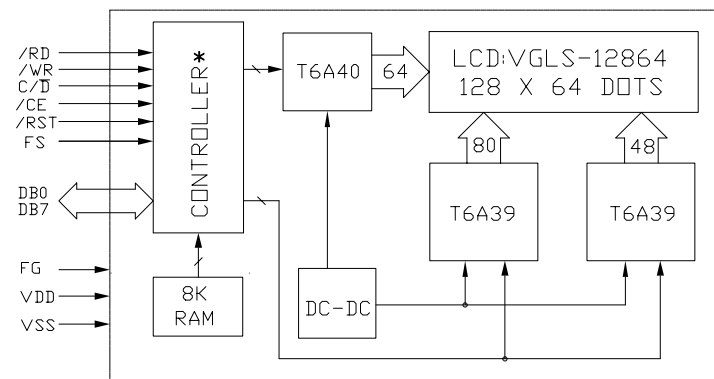


THE DRAWING ON THIS PRINT AND INFORMATION THEREWITH ARE PROPRIETARY TO VARITRONIX AND SHALL NOT BE USED IN WHOLE OR IN PART WITHOUT WRITTEN PERMISSION OF VARITRONIX.

ISSUE	AMENDMENT	DATE
①	MODIFY DIMENSION AND ADD NOTES	04.06.02
②	ADD LED05	04.06.05
③ ¹	UPDATE TABLE	06.04.18



1	2	3	4	5	6	7	8	9	10	11	12	13	14	15	16	17	18	19	20
FG	VSS	VDD	NC	/WR	/RD	/CE	C/D	/RST	DB0	DB1	DB2	DB3	DB4	DB5	DB6	DB7	FS	LED(+)	LED(-)



* T6963C OR EQUIVALENT

- NOTES:**
- ◇ : SPECIAL CHARACTERISTIC
 - + : SAFETY CHARACTERISTIC
 - ▽ : CRITICAL DIMENSION
 - ⊙ : REFERENCE DIMENSION



VARITRONIX LIMITED

TITLE: LCM Module Specification
PROJECT NO: MGLS12864TV

CUSTOMER REF:

TOLERANCE UNLESS OTHERWISE SPECIFIED:	X.X ±0.3
	X.XX ±0.1
DIMENSIONS IN MM	ANGULAR: ±1°
MATERIAL: N/A	FINISH: N/A
SCALE: DD NOT ON SCALE	OVERALL THK: N/A

THIRD ANGLE PROJECTION			
	NAME	SIGN	DATE
DRAWN:	LONG XIAD BI		06.04.18
CHECKED:	XIE SHENG		
APPROVED:	CHARM		

ITEM NO.: MGLS12864TV-XX

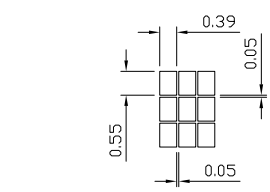
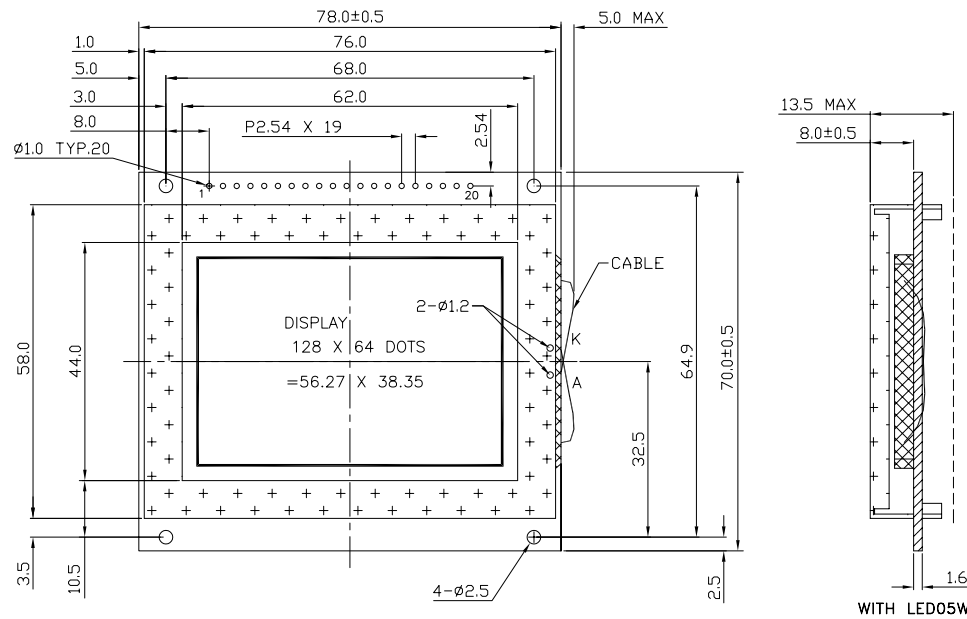
DESCRIPTION: MGLS12864TV-XX

FILE NO: MGLS12864TV-XX R3 REV: 3

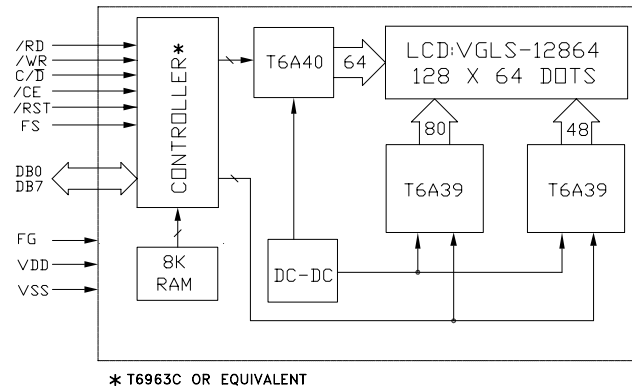
SHEET 1 OF 2

THE DRAWING ON THIS PRINT AND INFORMATION THEREWITH ARE PROPRIETARY TO VARITRONIX AND SHALL NOT BE USED IN WHOLE OR IN PART WITHOUT WRITTEN PERMISSION OF VARITRONIX.

ISSUE	AMENDMENT	DATE
1	MODIFY DIMENSION AND ADD NOTES	04.06.02
2	ADD LED05	04.06.05
3	UPDATE TABLE	06.04.18



1	2	3	4	5	6	7	8	9	10	11	12	13	14	15	16	17	18	19	20
FG	VSS	VDD	NC	/WR	/RD	/CE	C/D	/RST	DB0	DB1	DB2	DB3	DB4	DB5	DB6	DB7	FS	LED(+)	LED(-)



TITLE: LCM Module Specification		
PROJECT NO: MGLS12864TV		
CUSTOMER REF:		
TOLERANCE UNLESS OTHERWISE SPECIFIED:	X.X ±0.3	X.XX ±0.1
DIMENSIONS IN MM	ANGULAR: ± 1°	
MATERIAL: N/A	FINISH: N/A	
SCALE: DO NOT ON SCALE	OVERALL THK: N/A	
THIRD ANGLE PROJECTION		
	NAME	SIGN
DRAWN:	LONG XIAO BI	06.04.18
CHECKED:	XIE SHENG	
APPROVED:	CHARM	
ITEM NO.: MGLS12864TV-XX		
DESCRIPTION: MGLS12864TV-XX		
FILE NO: MGLS12864TV-XX R3	REV: 3	
SHEET	2	OF 2

NOTES:
 1. ◊ : SPECIAL CHARACTERISTIC
 2. + : SAFETY CHARACTERISTIC
 3. ▽ : CRITICAL DIMENSION
 4. () : REFERENCE DIMENSION



VARITRONIX LIMITED