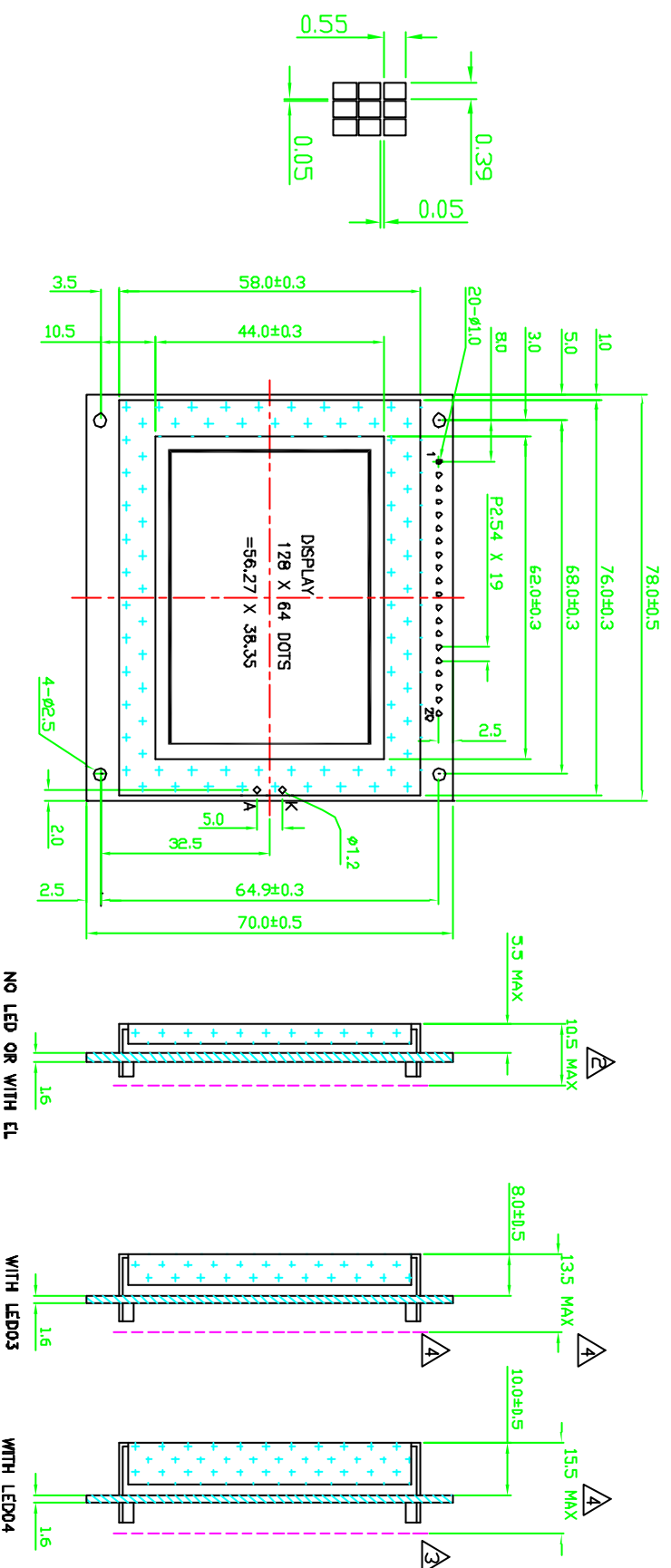
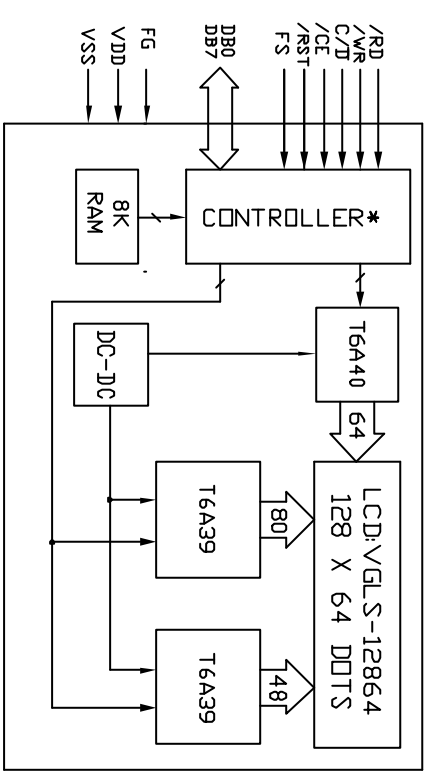


ISSUE	AMENDMENT	DATE
1	ADD CONNECTOR	99.7.14
2	CANCELLED BAR CHANGE DIMENSION	99.7.16
3	UPDATE DRAWING	00.1.14
4	ADD VIEW AND NOTES UPDATE DIMENSION	01.2.22



1	2	3	4	5	6	7	8	9	10	11	12	13	14	15	16	17	18	19	20
FG	VSS	VDD	NC	/WR	/RD	/CE	C/D	/RST	DB0	DB1	DB2	DB3	DB4	DB5	DB6	DB7	FS	A	K

- NOTES:
- △ SPECIAL CHARACTERISTIC
 - ◇ SAFETY CHARACTERISTIC
 - “+” REFERENCE ONLY
 - “<>” CRITICAL DIMENSION



* T6983C OR EQUIVALENT

VB VARTTRONIX LIMITED

TITLE: SPECIFICATION OF MODULE	
PROJECT NO: MGLS-12864TS	
TOLERANCE UNLESS OTHERWISE SPECIFIED:	X.X ±0.3 X.XX ±0.1
DIMENSIONS IN MM	FINISH:
MATERIAL:	THICKNESS:
SCALE: DO NOT ON SCALE	
THIRD ANGLE PROJECTION	
DRAWN	NAME SIGN DATE
CHECKED	LUO XIAN GANG 01.12.22
APPROVED	LU MIN YUAN
	ANDY LEUNG
ITEM NO. MGLS12864TS-XX	
DESCRIPTION: MGLS-12864TS	
FILE NO.: MGLS-12864TS-XX R4.DWG REV 4	
SHEET	1 OF 1