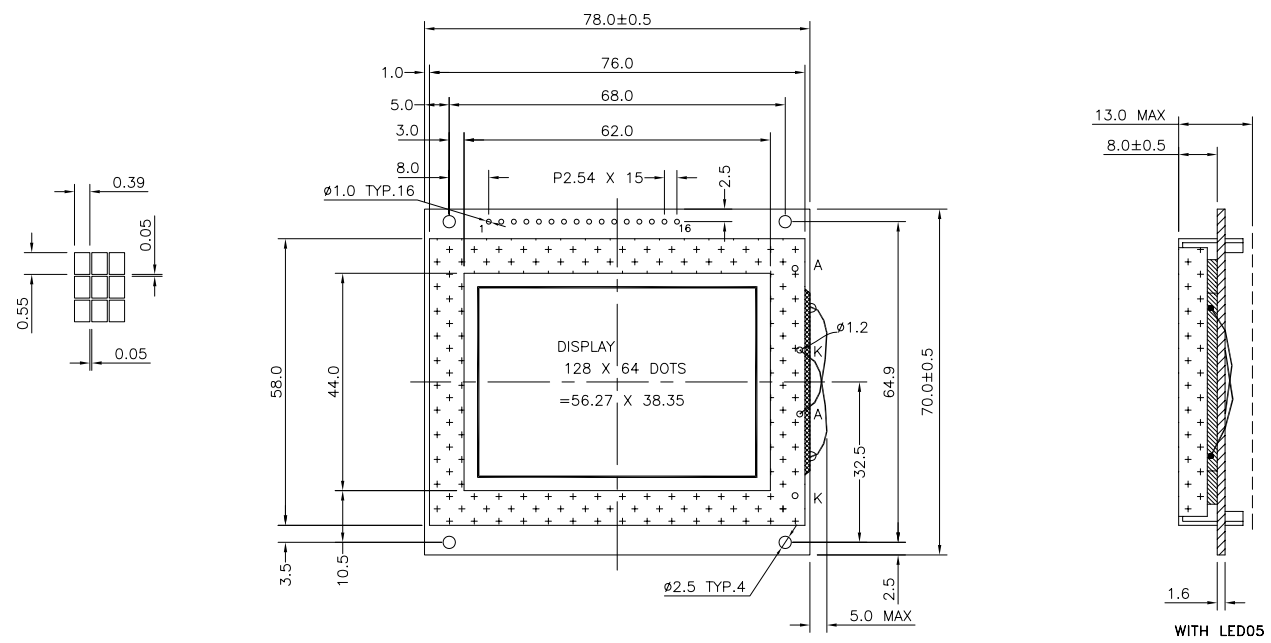


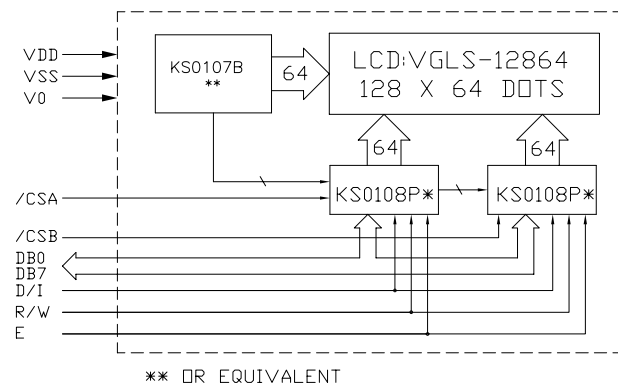
The information contained in this document is proprietary to VARITRONIX LTD. and shall be protected from any reproduction in part or as a whole without Varitronix's written approval.

ISSUE	AMENDMENT	DATE
1	REDRAW	02.10.07
2	ADD PAGE 2	
2	ADD BOTTOM VIEW	06.03.01
	ADD DETAIL DRAWING A	

A
B
C
D



1	2	3	4	5	6	7	8	9	10	11	12	13	14	15	16
/CSA	/CSB	VSS	VDD	V0	D/I	R/W	E	DB0	DB1	DB2	DB3	DB4	DB5	DB6	DB7



TITLE: SPECIFICATION OF MODULE			
PROJECT NO: MGLS-12864D			
TOLERANCE UNLESS OTHERWISE SPECIFIED:	X.X ±0.3		
	X.XX ±0.1		
DIMENSIONS IN MM	ANGULAR: ±1°		
MATERIAL: N/A	FINISH: N/A		
SCALE: DO NOT ON SCALE	OVERALL THK: N/A		
THIRD ANGLE PROJECTION			
	NAME	SIGN	DATE
DRAWN:	LONG XIAD BI		
CHECKED:	XIE SHENG		
APPROVED:	CHARM		
ITEM NO.: MGLS12864D-XX			
DESCRIPTION: MGLS-12864D			
FILE NO: MGLS12864D-XX R2 REV: 2			
SHEET 2		OF 2	

NOTES:
 1. ◊ : SPECIAL CHARACTERISTIC
 2. + : SAFETY CHARACTERISTIC
 3. ▽ : CRITICAL DIMENSION
 4. (..) : REFERENCE DIMENSION

