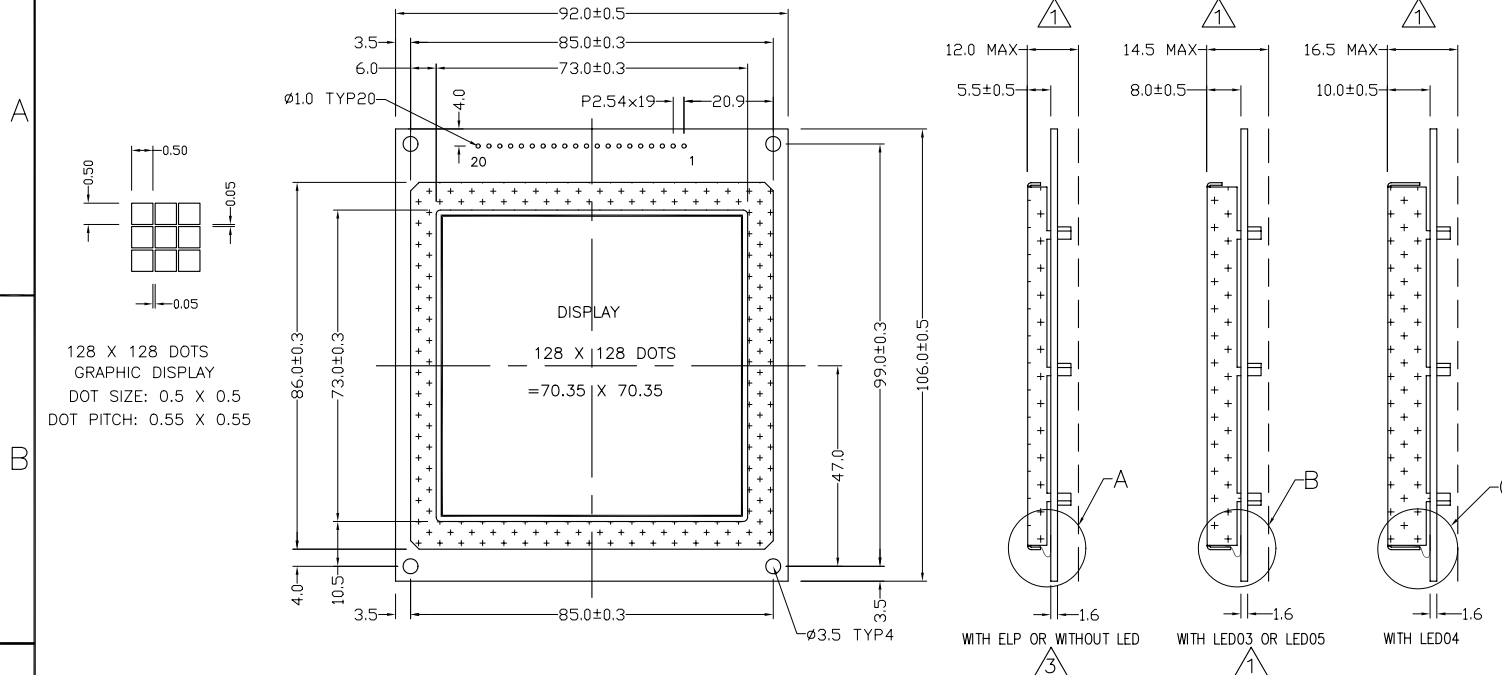


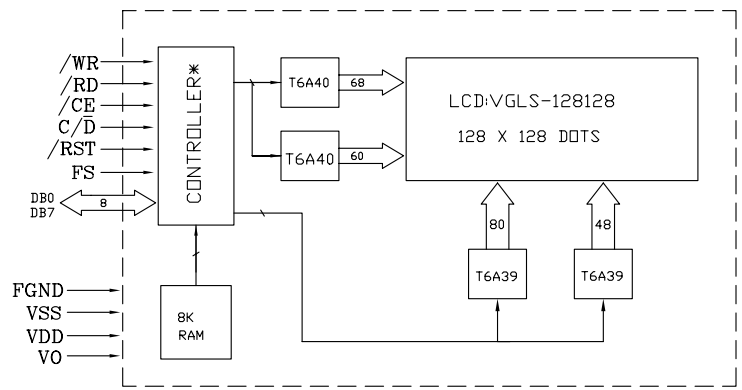
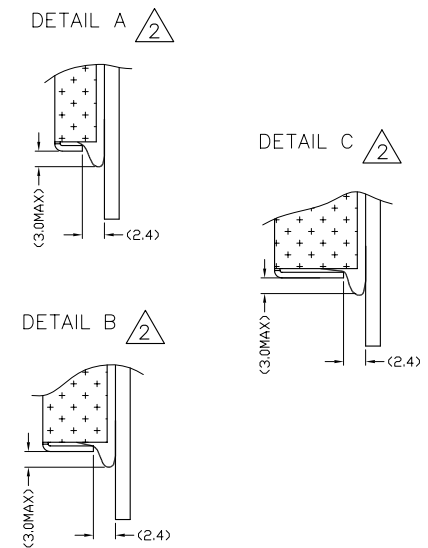
The drawing on this print and information therewith are proprietary to Varitronix and shall not be used in whole or in part without written permission of Varitronix.

| ISSUE | AMENDMENT | DATE |
|----------------|-------------------------------|----------|
| 1 | REDRAW ADD LED05 AND NOTES | 02.12.20 |
| 2 ³ | ADD DETAIL DRAWING | 05.07.13 |
| 3 ¹ | ADD TEXT | 05.08.15 |



128 X 128 DOTS
 GRAPHIC DISPLAY
 DOT SIZE: 0.5 X 0.5
 DOT PITCH: 0.55 X 0.55

| | | | | | | | | | | | | | | | | | | | |
|------|-----|-----|----|----|----|----|-----|-----|-----|-----|-----|-----|-----|-----|-----|-----|----|---------|---------|
| 1 | 2 | 3 | 4 | 5 | 6 | 7 | 8 | 9 | 10 | 11 | 12 | 13 | 14 | 15 | 16 | 17 | 18 | 19 | 20 |
| FGND | VSS | VDD | VO | WR | RD | CE | C/D | RST | DB0 | DB1 | DB2 | DB3 | DB4 | DB5 | DB6 | DB7 | FS | LED+(A) | LED-(K) |



* T6963C OR EQUIVALENT

- NOTES:
- ◇ : SPECIAL CHARACTERISTIC
 - + : SAFETY CHARACTERISTIC
 - ▽ : CRITICAL DIMENSION
 - (...) : REFERENCE DIMENSION



| | | | |
|---------------------------------------|---------|-----------------------|----------|
| TITLE: LCM Module Specification | | | |
| PROJECT NO: MGLS128128 | | | |
| TOLERANCE UNLESS OTHERWISE SPECIFIED: | | X.X ±0.3 X.XX ±0.1 | |
| DIMENSIONS IN MM | | ANGULAR: ±1° | |
| MATERIAL: N/A | | FINISH: N/A | |
| SCALE: DO NOT ON SCALE | | OVERALL THK: N/A | |
| THIRD ANGLE PROJECTION | | | |
| | NAME | SIGN | DATE |
| DRAWN: | XB LONG | | 05.08.15 |
| CHECKED: | ZB TANG | | |
| APPROVED: | CHARM | | |
| ITEM NO.: MGLS128128-XX | | | |
| DESCRIPTION: MGLS128128 | | | |
| FILE NO: MGLS128128-XX R3 | | REV: 3 | |
| SHEET | 1 | OF | 1 |