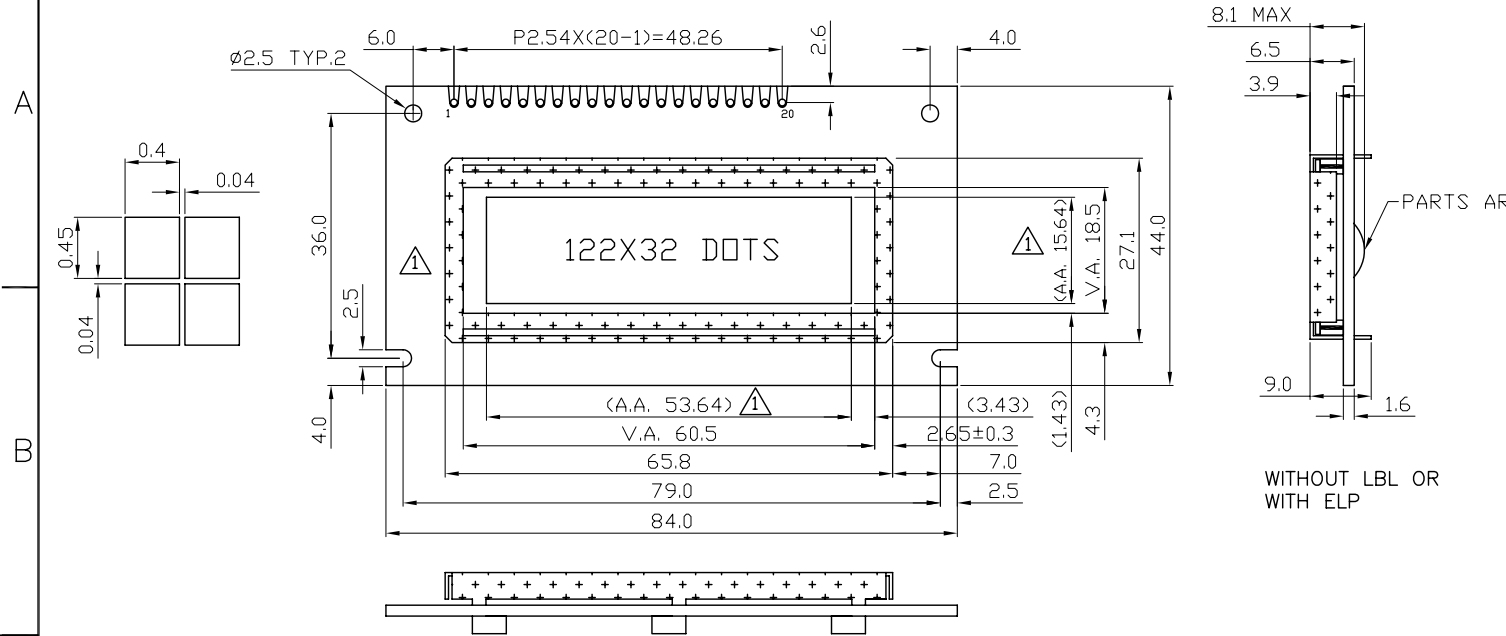
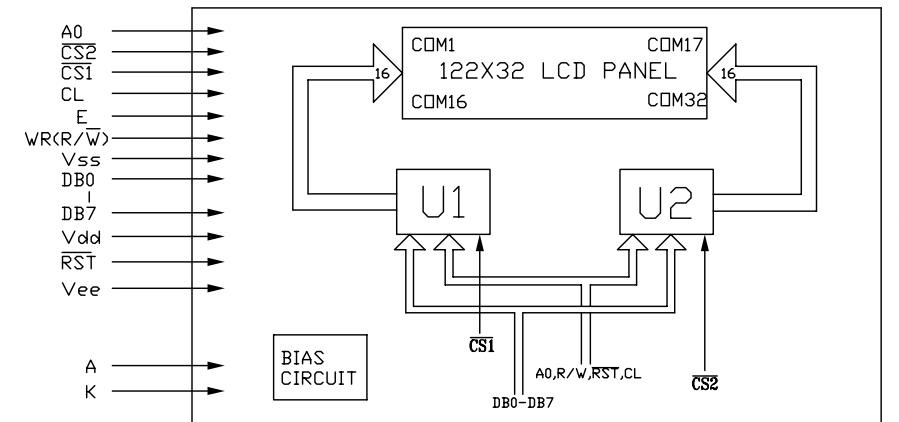


THE DRAWING ON THIS PRINT AND INFORMATION THEREWITH ARE PROPRIETARY TO VARITRONIX AND SHALL NOT BE USED IN WHOLE OR IN PART WITHOUT WRITTEN PERMISSION OF VARITRONIX.

ISSUE	AMENDMENT	DATE
1	MODIFY BZ'S OUTLINE MODIFY DIMENSION	04.06.08
2	ADD DRAWING PAGE 2(WITH LED01) UPDATE BLOCK DIAGRAM	07.02.14



1	2	3	4	5	6	7	8	9	10	11	12	13	14	15	16	17	18	19	20
Vss	Vdd	Vee	A0	CS1	CS2	CL	E	R/W	DB0	DB1	DB2	DB3	DB4	DB5	DB6	DB7	RST	A	K



TITLE: LCM Module Specification		
PROJECT NO: MGL(S)-12232A		
CUSTOMER REF:		
TOLERANCE UNLESS OTHERWISE SPECIFIED:	X.X ±0.3	X.XX ±0.1
DIMENSIONS IN MM	ANGULAR: ±1°	
MATERIAL: N/A	FINISH: N/A	
SCALE: DO NOT ON SCALE	OVERALL THK: N/A	
THIRD ANGLE PROJECTION		
	NAME	SIGN
DRAWN:	LONG XIAD BI	
CHECKED:	HELEN HE	
APPROVED:	CHARM	
ITEM NO.: MGLS12232A-XX		
DESCRIPTION: MGLS12232A		
FILE NO: MGLS12232A-XX R2	REV: 2	
SHEET	1	OF 2

NOTES:
 1 ◊ : SPECIAL CHARACTERISTIC
 2 + : SAFETY CHARACTERISTIC
 3 ▽ : CRITICAL DIMENSION
 4 (.) : REFERENCE DIMENSION



