

The drawing on this print and information therewith are proprietary to Varitronix and shall not be used in whole or in part without written permission of Varitronix.

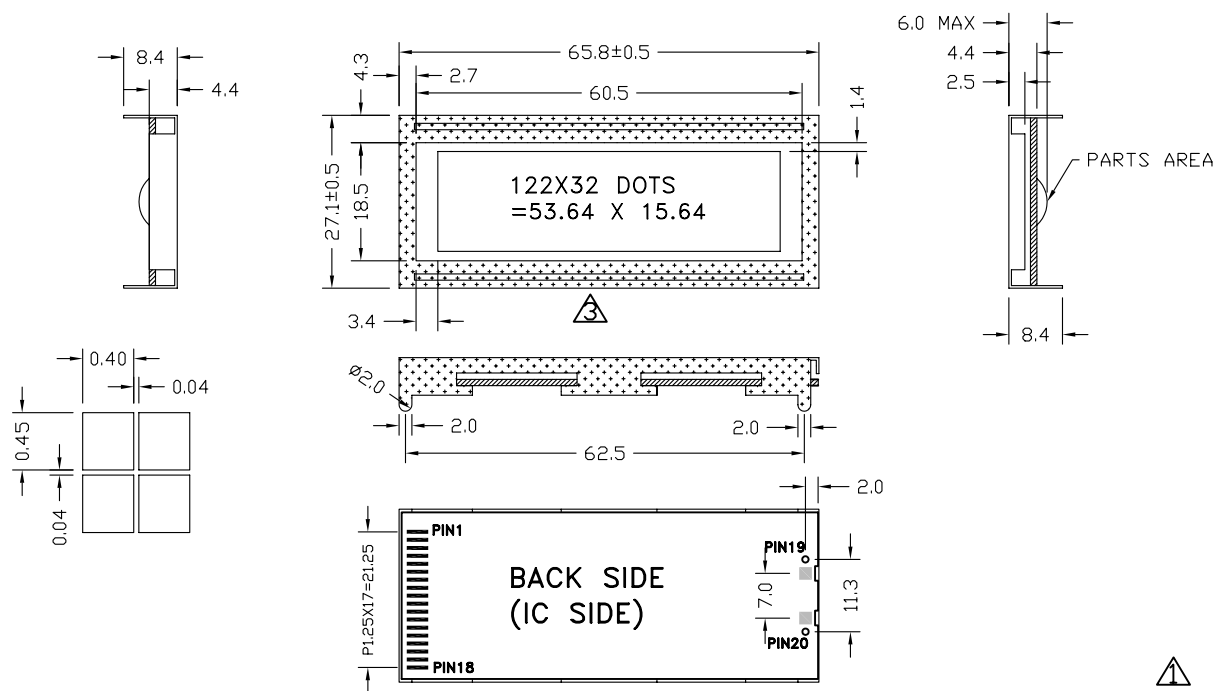
ISSUE	AMENDMENT	DATE
1	ADD TABLE INFORMATION	00.07.05
2	REDRAW AND ADD NOTES CHANGE CIRCUIT DIAGRAM	03.04.07
3 ¹	UPDATE DIMENSION	06.10.10

A

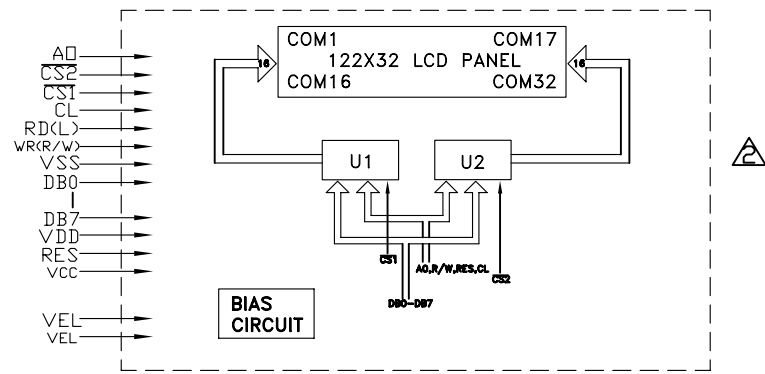
B

C

D



1	2	3	4	5	6	7	8	9	10	11	12	13	14	15	16	17	18	19	20
A0	CS2	CS1	CL	RD(L)	WR(R/W)	VSS	DB0	DB1	DB2	DB3	DB4	DB5	DB6	DB7	VDD	RES	VEE	VEL	VEL



NOTES:

- ◊ SPECIAL CHARACTERISTIC
- + SAFETY CHARACTERISTIC
- <> REFERENCE ONLY
- ▽ CRITICAL DIMENSION



TITLE: LCM Module Specification	
PROJECT NO: MGLS12232	
CUSTOMER REF:	
TOLERANCE UNLESS OTHERWISE SPECIFIED:	X.X ±0.3 X.XX ±0.1
DIMENSIONS IN MM	ANGULAR: ± 1°
MATERIAL: N/A	FINISH: N/A
SCALE: DO NOT ON SCALE	OVERALL THK: N/A
THIRD ANGLE PROJECTION	
	NAME SIGN DATE
DRAWN:	LONG XIAO BI
CHECKED:	HE HELEN
APPROVED:	CHARM
ITEM NO.: MGLS12232-XX	
DESCRIPTION: MGLS12232	
FILE NO: MGLS12232-XX R3 REV: 3	
SHEET	1 OF 1