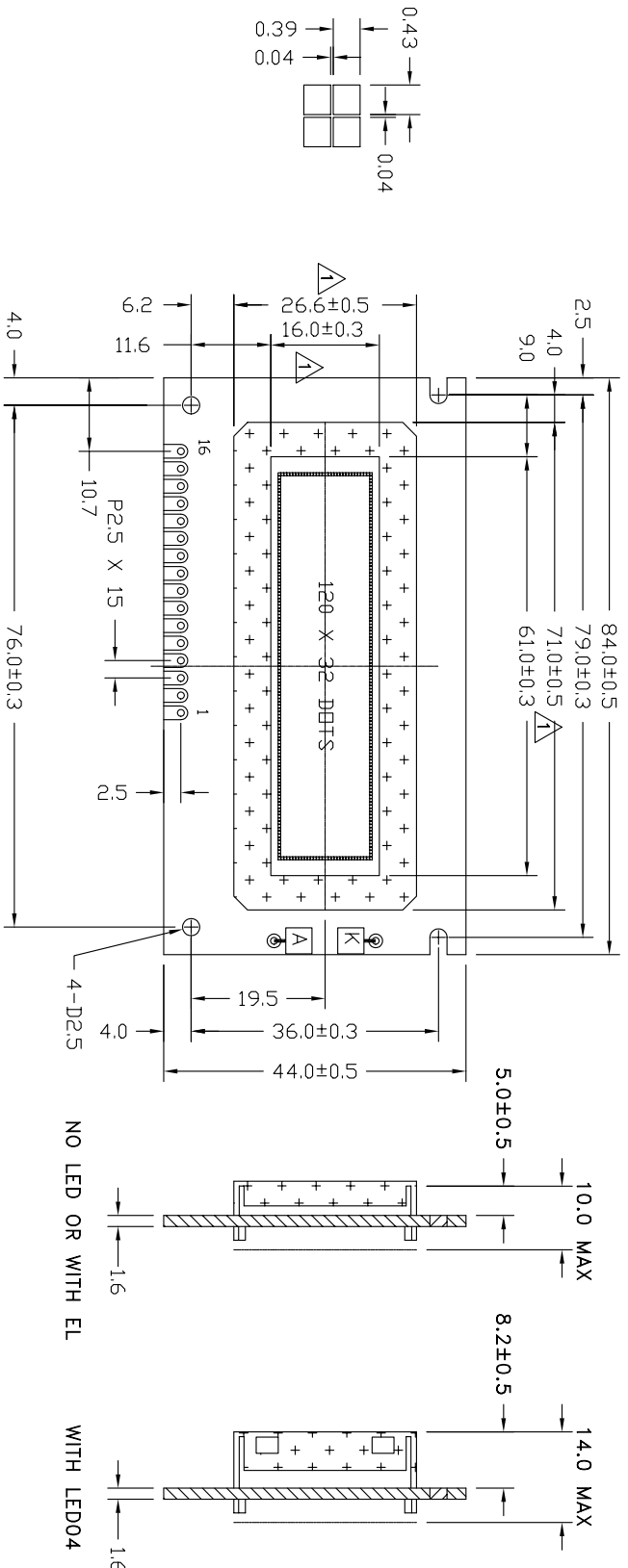
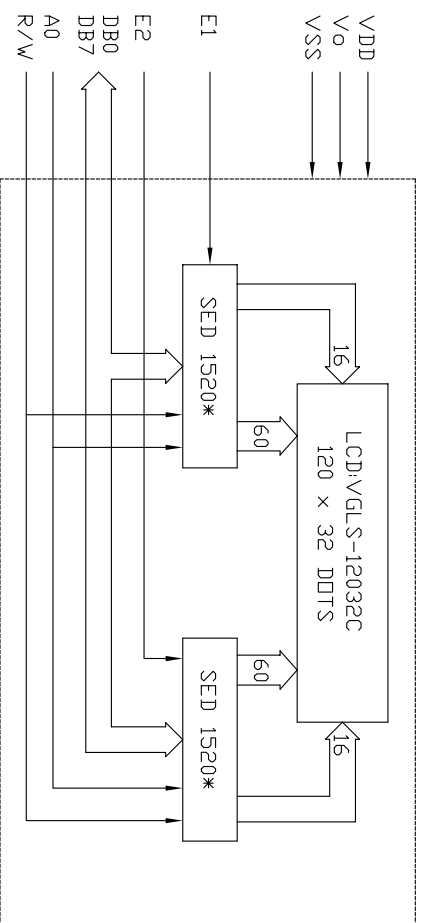


The drawing on this print and information therewith are proprietary to Varritronix and shall not be used in whole or in part without written permission of Varritronix.



16 PIN CONNECTION	1	2	3	4	5	6	7	8	9	10	11	12	13	14	15	16	A	K
VSS	VDD	Vo	AD	R/W	E1	E2	NC	DB0	DB1	DB2	DB3	DB4	DB5	DB6	DB7	LED+	LED-	



\* OR EQUIVALENT

- NOTES:
- "◇" SPECIAL CHARACTERISTIC
  - "+" SAFETY CHARACTERISTIC
  - "()" REFERENCE ONLY
  - "▽" CRITICAL DIMENSION

ISSUE	AMENDMENT	DATE
1	CHANGE DIMENSIONS AND TOLERANCE ADD NOTES	04.05.12

**VB** VARRITRONIX LIMITED

<b>TITLE:</b> SPECIFICATION OF MODULE			
<b>PROJECT NO:</b> MGLS12032C			
TOLERANCE UNLESS OTHERWISE SPECIFIED:	X.X ±0.3 X.XX ±0.1		
DIMENSIONS IN MM	FINISH:		
MATERIAL:	THICKNESS:		
SCALE: DO NOT ON SCALE	THIRD ANGLE PROJECTION		
DRAWN	NAME	SIGN	DATE
CHECKED	HE JIAN WEN		04.05.12
APPROVED	EDWIN HON		
<b>ITEM NO.</b> MGLS12032C-XX			
<b>DESCRIPTION:</b> MGLS12032C			
<b>FILE NO:</b> MGLS12032C-XX R1.DWG REV 1			
<b>SHEET</b> 1 <b>OF</b> 1			