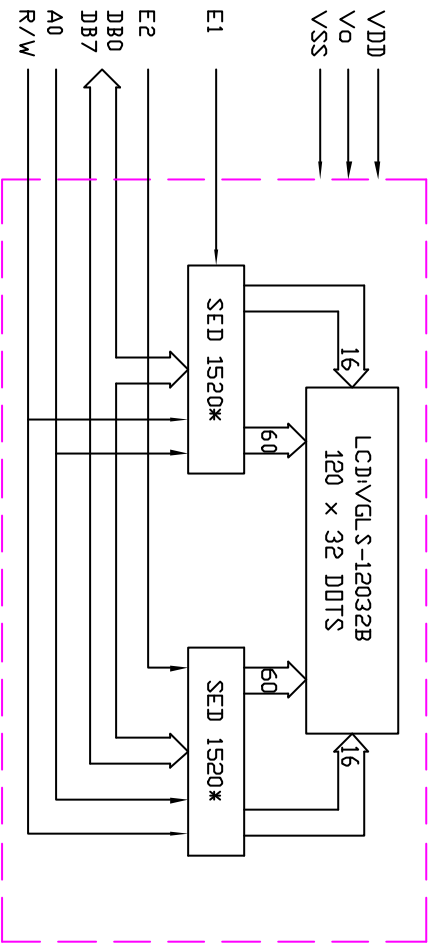


1	2	3	4	5	6	7	8	9	10	11	12	13	14	15	16	17	18
VSS	VDD	VD	AD	R/W	E1	E2	NC	DB0	DB1	DB2	DB3	DB4	DB5	DB6	DB7	LED(+)	LED(-)



* OR EQUIVALENT

ISSUE	AMENDMENT	DATE
△	Modify dimension Delete side view with LED03	01.10.04

WITH LED04

TITLE: SPECIFICATION OF MODULE

PROJECT NO.: MGLS12032B

TOLERANCE UNLESS OTHERWISE SPECIFIED:
X.X ±0.3
X.XX ±0.1

DIMENSIONS IN MM

SCALE: DO NOT ON SCALE
THIRD ANGLE PROJECTION

DRAWN	NAME	SIGN	DATE
CHECKED	GUO PING		01.10.04
APPROVED	CHARM		
	K.P. HO		

ITEM NO.: MGLS12032B-XX

DESCRIPTION: MGLS12032B

FILE NO.: MGLS12032B-XX R1.DWG **REV 1**

SHEET 1 OF 1