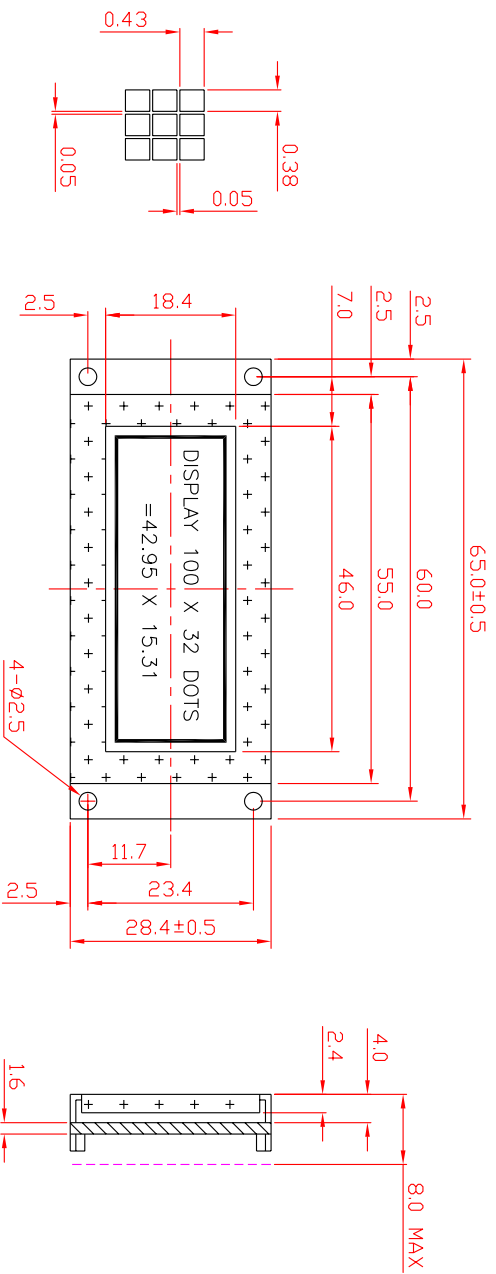
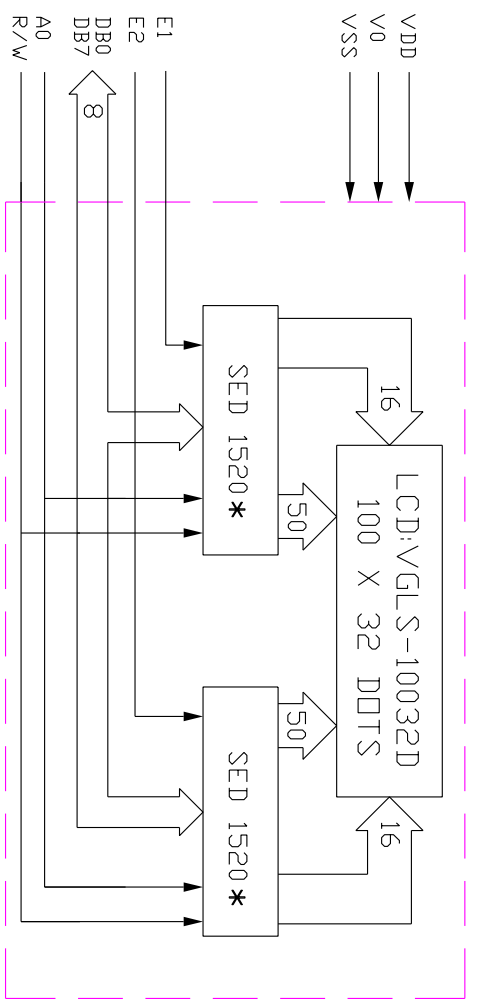


ISSUE	AMENDMENT	DATE
△	ADD LED05 ADD NOTES	03.12.02



1	2	3	4	5	6	7	8	9	10	11	12	13	14	15	16	17	18
VSS	VDD	V0	A0	R/W	E1	E2	NC	DB0	DB1	DB2	DB3	DB4	DB5	DB6	DB7	LED+	LED-



* OR EQUIVALENT

NOTES: △

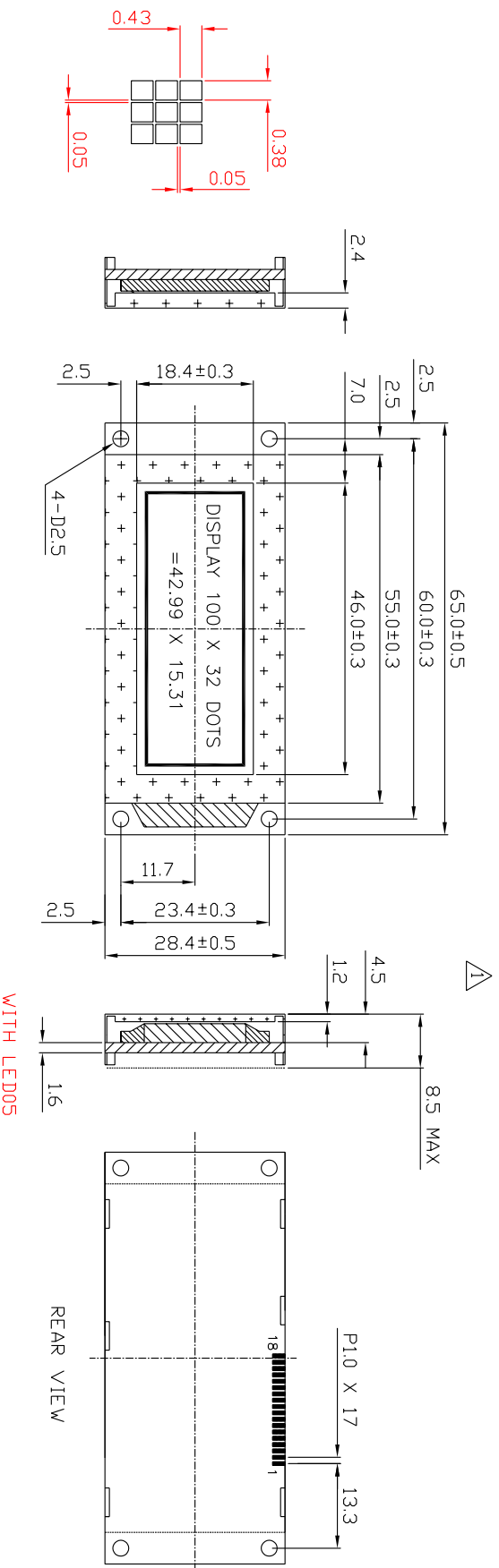
- ◇ SPECIAL CHARACTERISTIC
- "+" SAFETY CHARACTERISTIC
- "○" REFERENCE ONLY
- ▽ CRITICAL DIMENSION



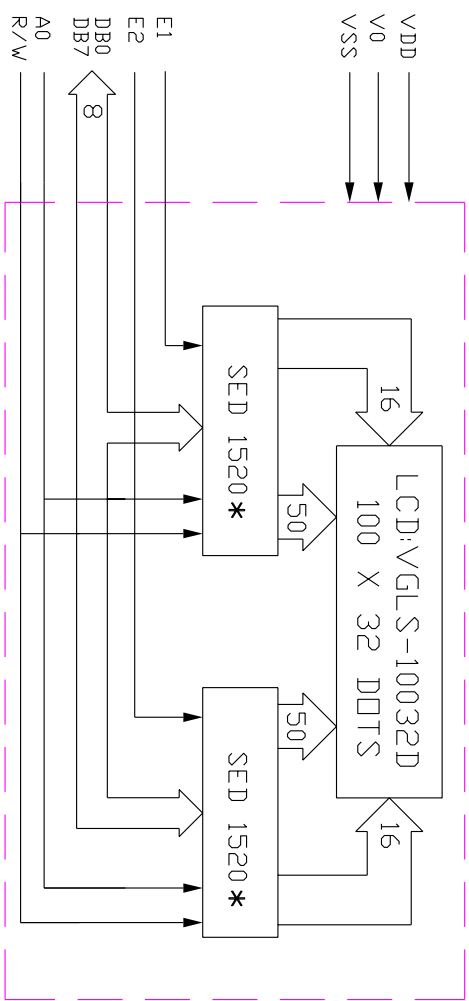
VARRITRONIX LIMITED

TITLE: SPECIFICATION OF MODULE			
PROJECT NO: MGLS10032D			
TOLERANCE UNLESS OTHERWISE SPECIFIED: X.X ±0.3 X.XX ±0.1			
DIMENSIONS IN MM			
MATERIAL:	FINISH:		
SCALE: DO NOT ON SCALE			
THIRD ANGLE PROJECTION			
DRAWN	NAME	SIGN	DATE
CHECKED	TANG ZHAO BIN		03.12.02
APPROVED	CHARM		
ITEM NO. MGLS10032D-XX			
DESCRIPTION: MGLS10032D			
FILE NO: MGLS10032D-XX R1.DWG/REV 1			
SHEET 1		OF 2	

ISSUE	AMENDMENT	DATE
△	ADD LED05 ADD NOTES	03.12.02



1	2	3	4	5	6	7	8	9	10	11	12	13	14	15	16	17	18
VSS	VDD	V0	A0	R/W	E1	E2	NC	DB0	DB1	DB2	DB3	DB4	DB5	DB6	DB7	LED+	LED-



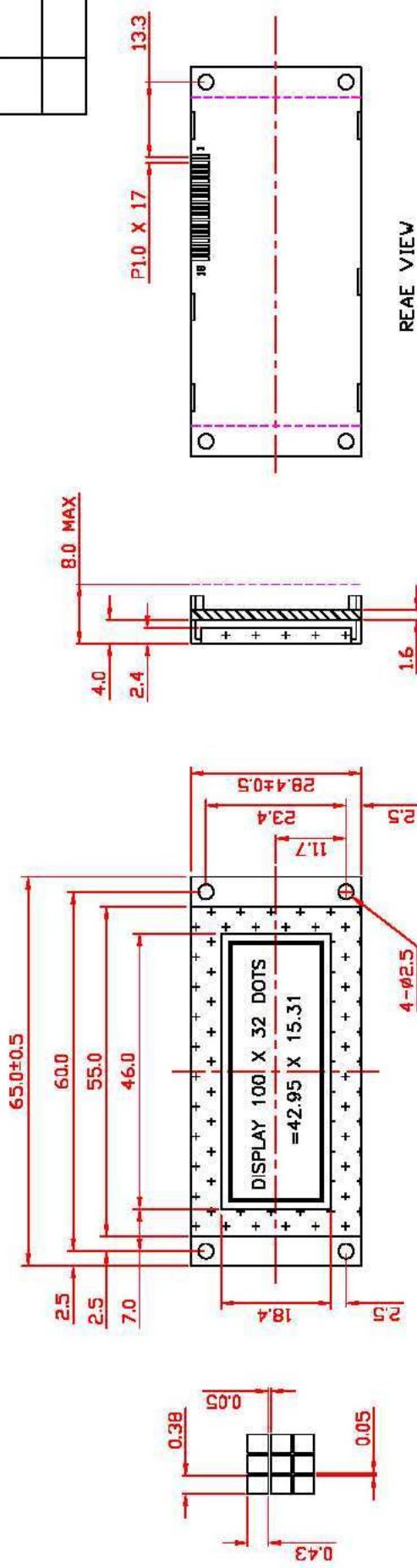
* OR EQUIVALENT

- NOTES:
- ◇ SPECIAL CHARACTERISTIC
 - + SAFETY CHARACTERISTIC
 - REFERENCE ONLY
 - △ CRITICAL DIMENSION

VARITRONIX LIMITED

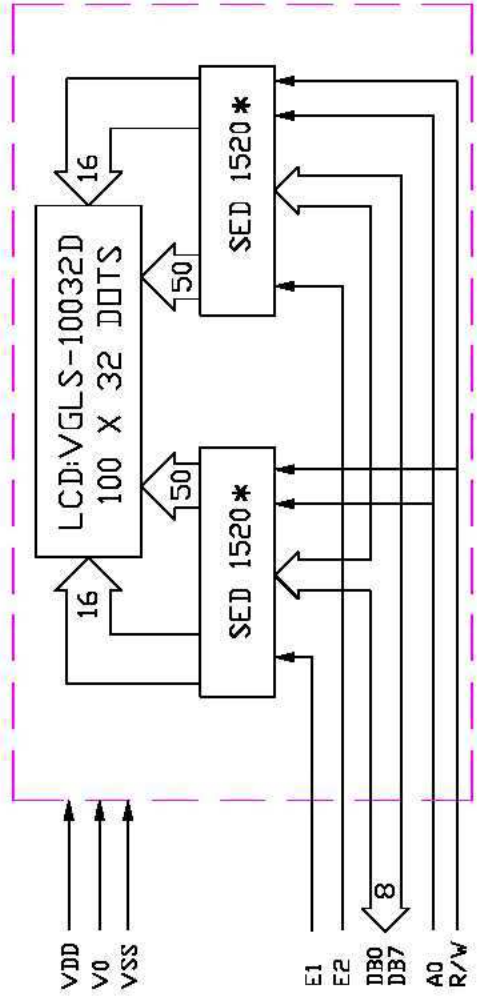
TITLE: SPECIFICATION OF MODULE			
PROJECT NO.: MGLS10032D			
TOLERANCE UNLESS OTHERWISE SPECIFIED:	X.X ±0.3 X.XX ±0.1		
DIMENSIONS IN MM	FINISH:		
MATERIAL:	THICKNESS:		
SCALE: DO NOT ON SCALE	THIRD ANGLE PROJECTION		
DRAWN	NAME	SIGN	DATE
CHECKED	TANG XIAN GANG		03.12.02
APPROVED	TANG ZHAO BIN		
APPROVED	CHARM		
ITEM NO.: MGLS10032D-XX			
DESCRIPTION: MGLS10032D			
FILE NO.: MGLS10032D-XX R1.DWG REV 1			
SHEET 2 OF 2			

ISSUE	AMENDMENT	DATE
△	ADD LEDS ADD NOTES	03.12.02



REAR VIEW

1	2	3	4	5	6	7	8	9	10	11	12	13	14	15	16	17	18
VSS	VDD	V0	A0	R/W	E1	E2	NC	DB0	DB1	DB2	DB3	DB4	DB5	DB6	DB7	LED+	LED-

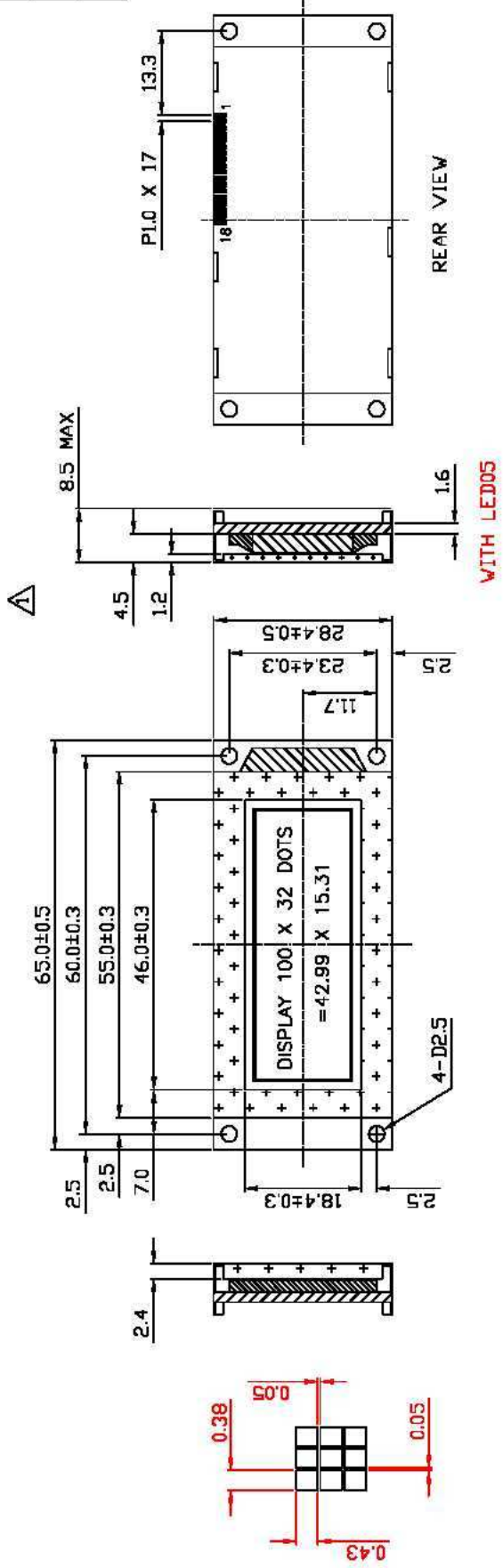


* OR EQUIVALENT

NOTES:
 △ SPECIAL CHARACTERISTIC
 + SAFETY CHARACTERISTIC
 ○ REFERENCE ONLY
 ∇ CRITICAL DIMENSION

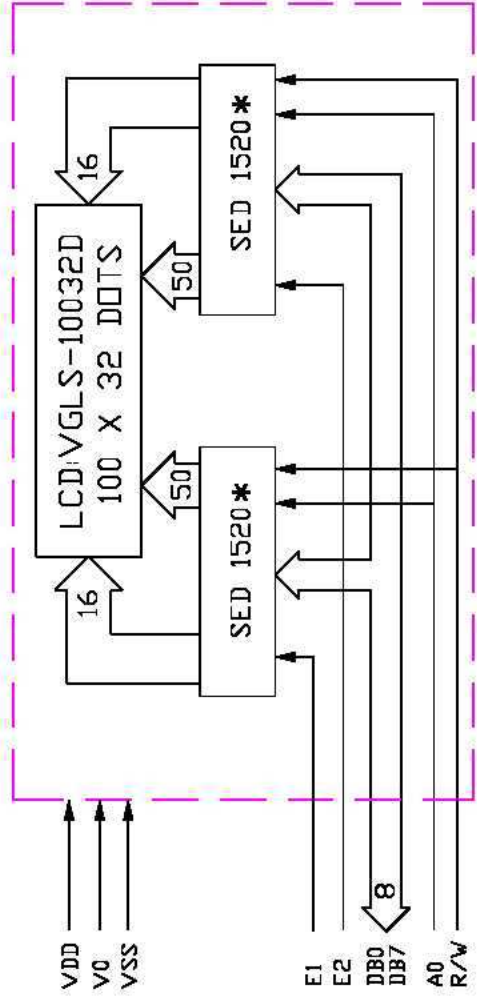
TITLE: SPECIFICATION OF MODULE	
PROJECT NO: MGLS10032D	
TOLENANCE UNLESS OTHERWISE SPECIFIED:	X.X ±0.3 X.XX ±0.1
DIMENSIONS IN MM	
MATERIAL:	FINISH
SCALE: DO NOT ON SCALE	THICKNESS
THIRD ANGLE PROJECTION	
DRAWN	NAME: LUO XIAN GANG DATE: 03.12.02
CHECKED	TANG ZHAO BIN
APPROVED	CHARM
ITEM NO. MGLS10032D-XX	
DESCRIPTION: MGLS10032D	
FILE NO: MGLS10032D-XX R1.DWG (REV 1)	
SHEET	1 OF 2

ISSUE	AMENDMENT	DATE
△	ADD LEDS ADD NOTES	03.12.02



WITH LEDS

1	2	3	4	5	6	7	8	9	10	11	12	13	14	15	16	17	18
VSS	VDD	V0	A0	R/W	E1	E2	NC	DB0	DB1	DB2	DB3	DB4	DB5	DB6	DB7	LED+	LED-



* OR EQUIVALENT

- NOTES:
- ◇ SPECIAL CHARACTERISTIC
 - + SAFETY CHARACTERISTIC
 - REFERENCE ONLY
 - △ CRITICAL DIMENSION

TITLE: SPECIFICATION OF MODULE			
PROJECT NO: MGLS10032D			
TOLERANCE UNLESS OTHERWISE SPECIFIED:	X.X ±0.3 X.XX ±0.1		
DIMENSIONS IN MM			
MATERIAL:	FINISH:		
SCALE: DO NOT ON SCALE	THICKNESS:		
THIRD ANGLE PROJECTION			
DRAWN	NAME	SIGN	DATE
CHECKED	LUO XIAN GANG		03.12.02
APPROVED	TANG ZHAO BIN		
	G H A R M		
ITEM NO. MGLS10032D-XX			
DESCRIPTION: MGLS10032D			
FILE NO: MGLS10032D-XX R1.DWG REV 1			
SHEET 2		OF 2	