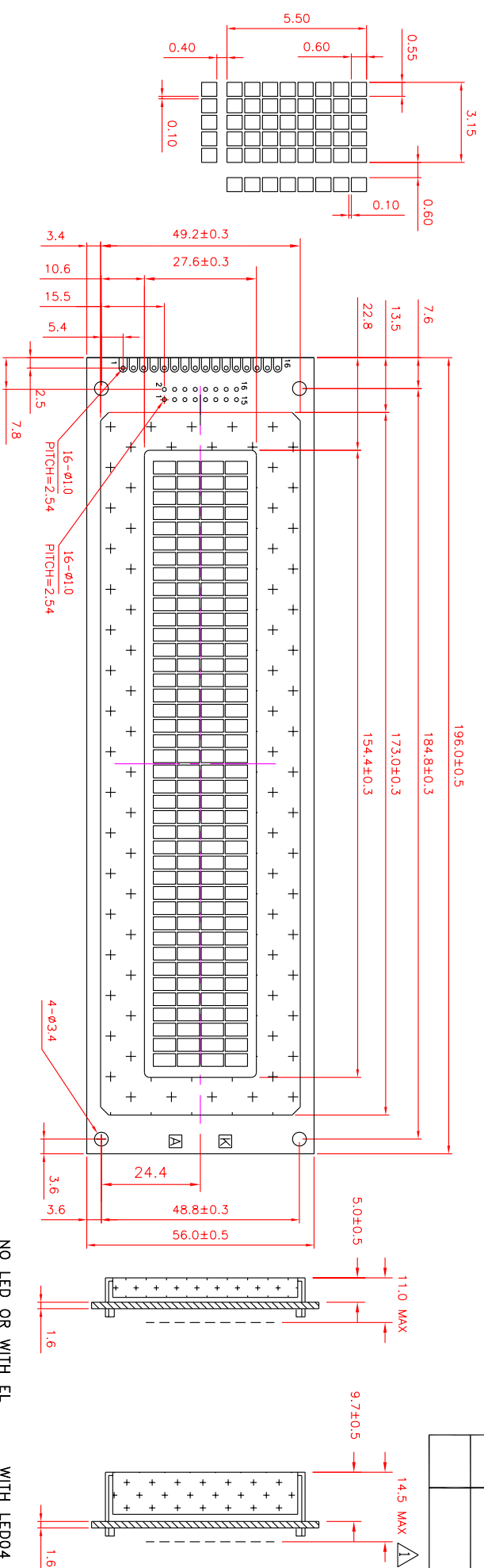
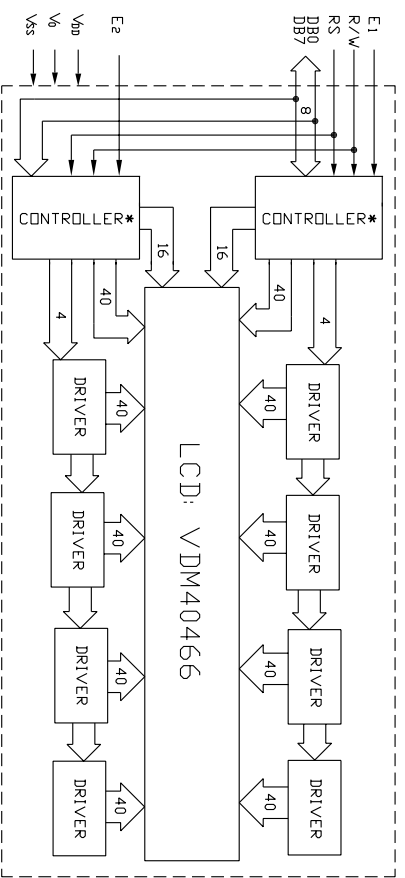


ISSUE	AMENDMENT	DATE
△	MODIFY DIMENSION ADD NOTES	03.11.17



16 PIN CONNECTION	1	2	3	4	5	6	7	8	9	10	11	12	13	14	15	16
	VSS	VDD	V0	RS	R/W	N/C	DB0	DB1	DB2	DB3	DB4	DB5	DB6	DB7	E1	E2



NOTES:
 △ SPECIAL CHARACTERISTIC
 * SAFETY CHARACTERISTIC
 ○ REFERENCE ONLY
 * CRITICAL DIMENSION

* S1LC780 OR EQUIVALENT

VARITRONIX LIMITED

TITLE: SPECIFICATION OF MODULE			
PROJECT NO: MDLS40466SP			
TOLERANCE UNLESS OTHERWISE SPECIFIED:	XX ±0.3 X.XX ±0.1		
DIMENSIONS IN MM	FINISH:		
MATERIAL:	THICKNESS:		
SCALE: DO NOT ON SCALE			
THIRD ANGLE PROJECTION	☉		
DRAWN	NAME	SIGN	DATE
CHECKED	LUO XIAN GANG		03.11.17
APPROVED	HE JIAN WEN		
	EDWIN HON		
ITEM NO. MDLS40466SP-XX			
DESCRIPTION: MDLS40466SP			
FILE NO: MDLS40466SP-XX R1.DWG/REV 1			
SHEET 1 OF 1			