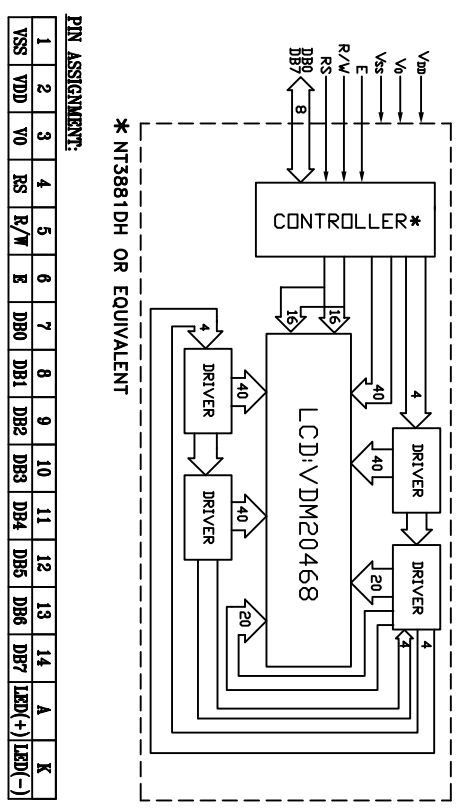
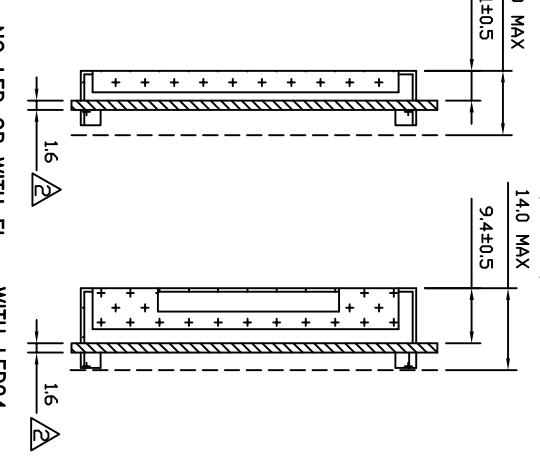
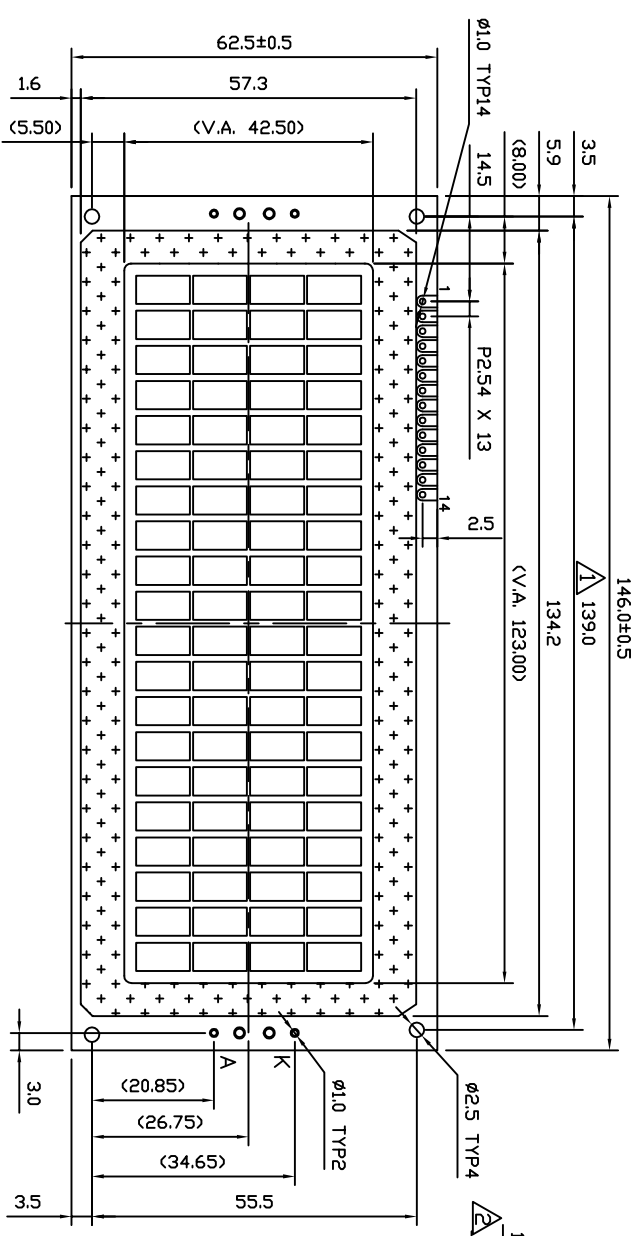
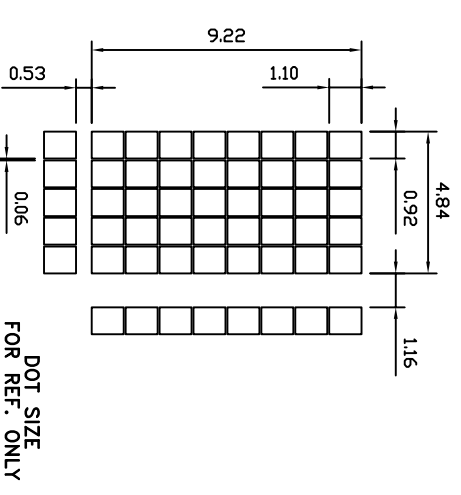


THE DRAWING ON THIS PRINT AND INFORMATION THEREWITH ARE PROPRIETARY TO VARRITRONIX AND SHALL NOT BE USED IN WHOLE OR IN PART WITHOUT WRITTEN PERMISSION OF VARRITRONIX



**\* NT3881DH OR EQUIVALENT**

PIN ASSIGNMENT:															
1	2	3	4	5	6	7	8	9	10	11	12	13	14	A	K
VSS	VDD	V0	BS	R/W	B	DB0	DB1	DB2	DB3	DB4	DB5	DB6	DB7	LED(+)	LED(-)



**NOTES:**

1. ◇ : SPECIAL CHARACTERISTIC
2. + : SAFETY CHARACTERISTIC
3. ∇ : CRITICAL DIMENSION
4. ( ) : REFERENCE DIMENSION

**VARRITRONIX LIMITED**

<b>TITLE: SPECIFICATION OF MODULE</b>	
<b>PROJECT NO.: MDL S20468SP</b>	
TOLERANCE UNLESS OTHERWISE SPECIFIED:	XX ±0.3 XXX ±0.1 ANGULAR ±1°
DIMENSIONS IN MM	
MATERIAL: N/A	FINISH: N/A
SCALE: DO NOT DR SCALE OVERALL THK: N/A	
THIRD ANGLE PROJECTION	
DRAWN: XH CHEN	DATE: 08.06.23
CHECKED: FENG NAN	
APPROVED: CHARM	
ITEM NO.: MDL S20468SP-XX	
DESCRIPTION: MDL S20468SP-XX SPEC	
FILE NO.: MDL S20468SP-XX R2.DWG REV: 2	
SHEET 1	OF 1