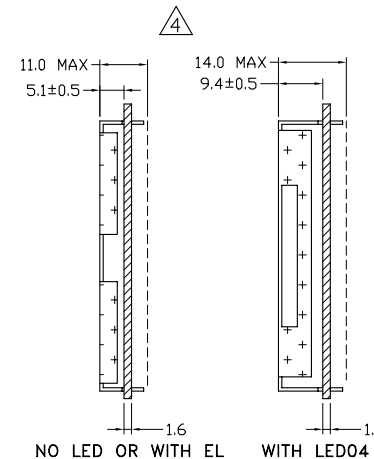
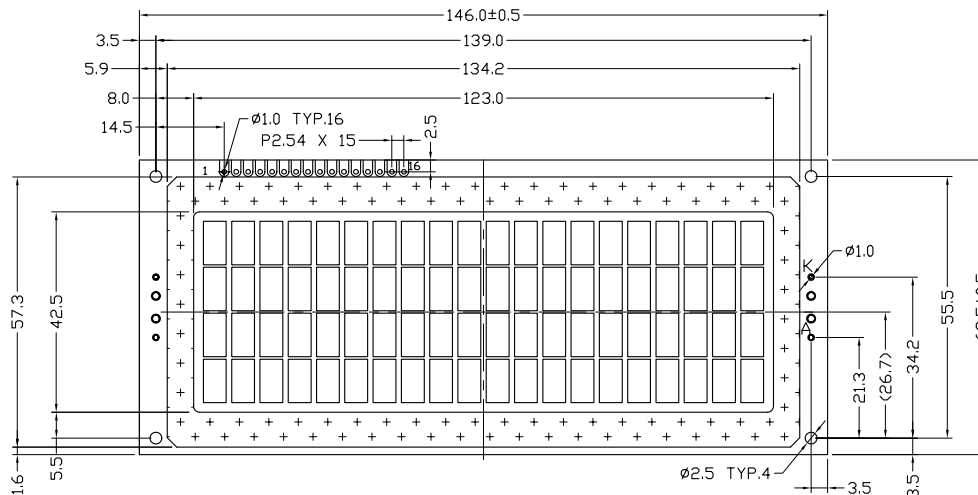
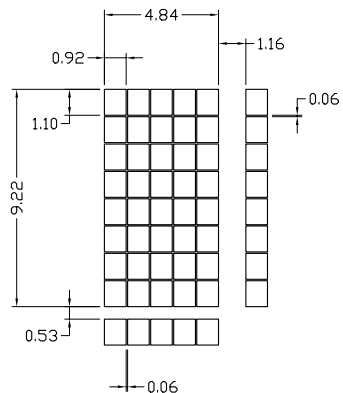
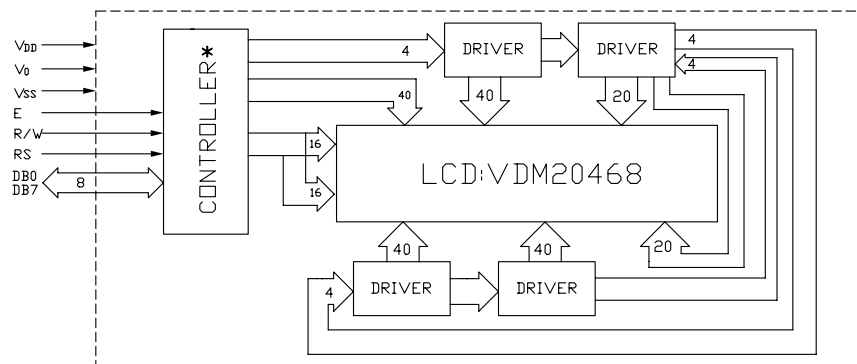


The drawing on this print and information therewith are proprietary to Varitronix and shall not be used in whole or in part without written permission of Varitronix.

ISSUE	AMENDMENT	DATE
1	MODIFY DIMENSION ADD NOTES	02.08.30
2	CHANGE DIMENSION	03.02.19
3	MODIFY DIMENSION ADD LED WHITE/BLUE	03.12.10
4 ²	ADD 16 PINS MODULE (PAGE 3) CHANGE ONE DIMENSION (IN PAGE 1)	05.11.05



16 PIN CONNECTION	1	2	3	4	5	6	7	8	9	10	11	12	13	14	15	16
	VSS	VDD	VO	RS	R/W	E	DB0	DB1	DB2	DB3	DB4	DB5	DB6	DB7	LED(+)	LED(-)



NOTES:

- ◇ : SPECIAL CHARACTERISTIC
- + : SAFETY CHARACTERISTIC
- ▽ : CRITICAL DIMENSION
- (...): REFERENCE DIMENSION

TITLE: LCM Module Specification

PROJECT NO: MDLS20468D

TOLERANCE UNLESS OTHERWISE SPECIFIED: X.X ±0.3
X.XX ±0.1

DIMENSIONS IN MM ANGULAR: ±1°

MATERIAL: N/A FINISH: N/A

SCALE: DO NOT ON SCALE OVERALL THK: N/A

THIRD ANGLE PROJECTION

	NAME	SIGN	DATE
DRAWN:	XB LONG		
CHECKED:	ZB TANG		
APPROVED:	CHARM		

ITEM NO.: MDLS20468D-XX

DESCRIPTION: MDLS20468D

FILE NO: MDLS20468D-XX R4 REV: 4

SHEET 3 OF 3



VARITRONIX LIMITED

