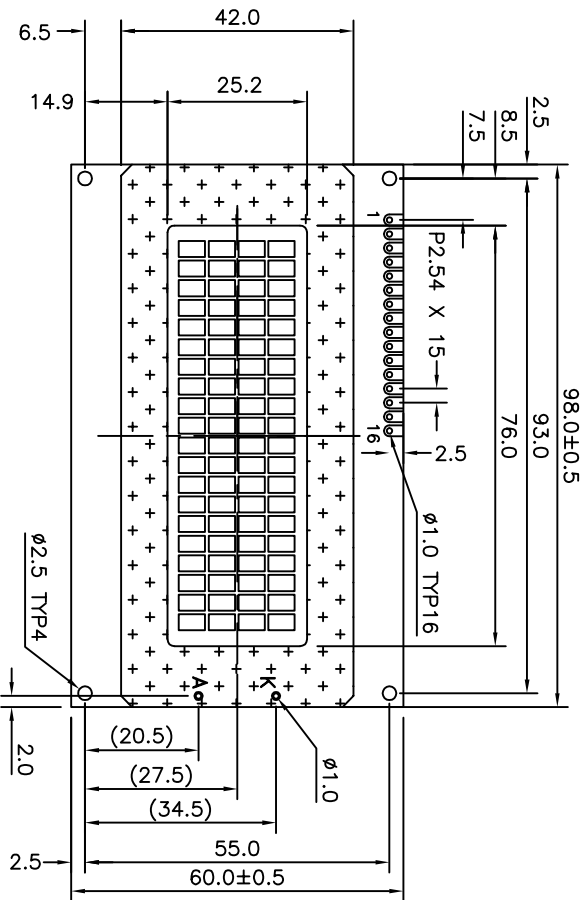
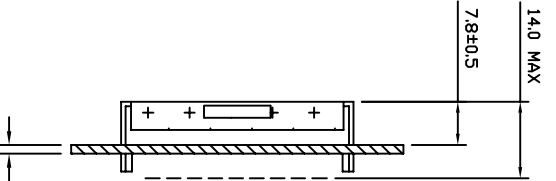
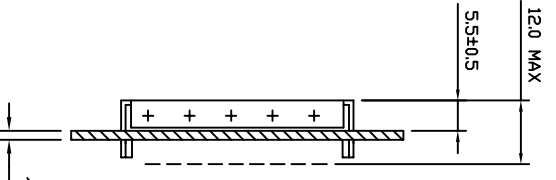


THE DRAWING ON THIS PRINT AND INFORMATION THEREON ARE PROPRIETARY
 THE VARIATION AND SPAN MAY BE USED IN WHOLE OR IN PART WITHOUT
 WRITTEN PERMISSION OF VARRITRONIX

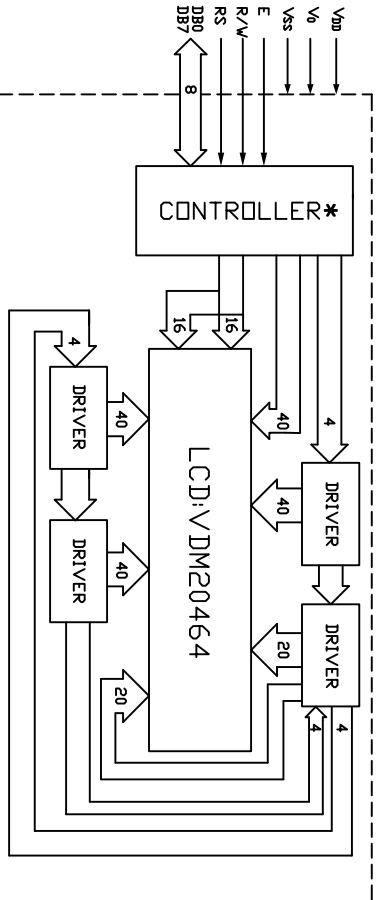
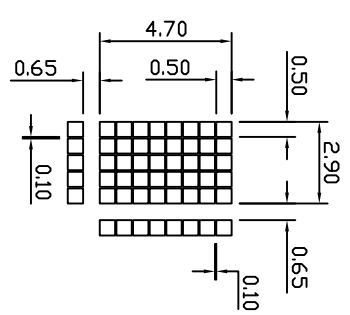


16 PIN CONNECTION	1	2	3	4	5	6	7	8	9	10	11	12	13	14	15	16
	VSS	VDD	V0	RS	R/W	E	DB0	DB1	DB2	DB3	DB4	DB5	DB6	DB7	LED(+)	LED(-)

WITH EL OR WITHOUT LED WITH LED04 OR LED05



△ DOT SIZE FOR REFERENCE ONLY



* SPIC780A1 OR EQUIVALENT

ISSUE	AMENDMENT	DATE
△1	ADD LED05 AND THE NOTES	03.10.28
△1	ADD DOT SIZE	08.02.19

NOTES:
 1. ○ SPECIAL CHARACTERISTIC
 2. + SAFETY CHARACTERISTIC
 3. * CRITICAL DIMENSION
 4. () REFERENCE DIMENSION

VARRITRONIX
VARRITRONIX LIMITED

TITLE: MODULE SPECIFICATION	
PROJECT NO.: MDLS20464SP	
CUSTOMER REF: XX ±0.3	
TOLERANCE UNLESS OTHERWISE SPECIFIED: XXX ±0.1	
DIMENSIONS IN MM ANGULAR ±1°	
MATERIAL: N/A FINISH: N/A	
SCALE: DO NOT IN SCALE OVERALL THK: N/A	
THIRD ANGLE PROJECTION	
DRAWN: XH CHEN	DATE: 08.02.19
CHECKED: HELEN HE	
APPROVED: CHARM	
ITEM NO.: MDLS20464SP-XX	
DESCRIPTION: MDLS20464SP	
FILE NO.: MDLS20464SP-XX R2.DWG REV: 2	
SHEET 1	OF 1