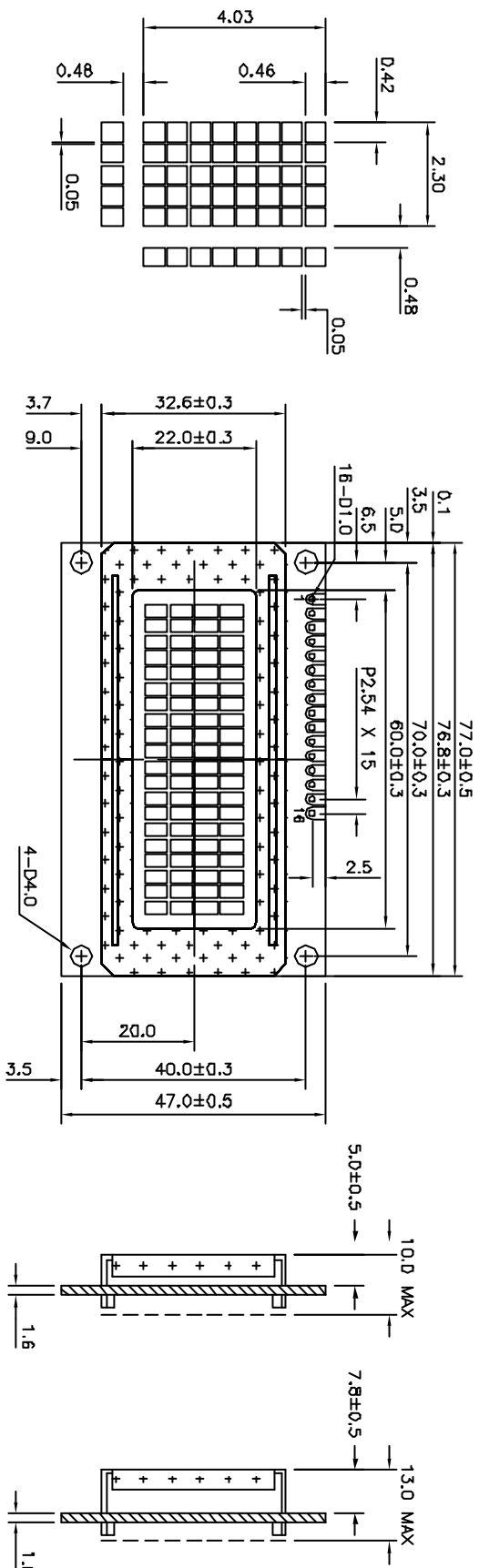
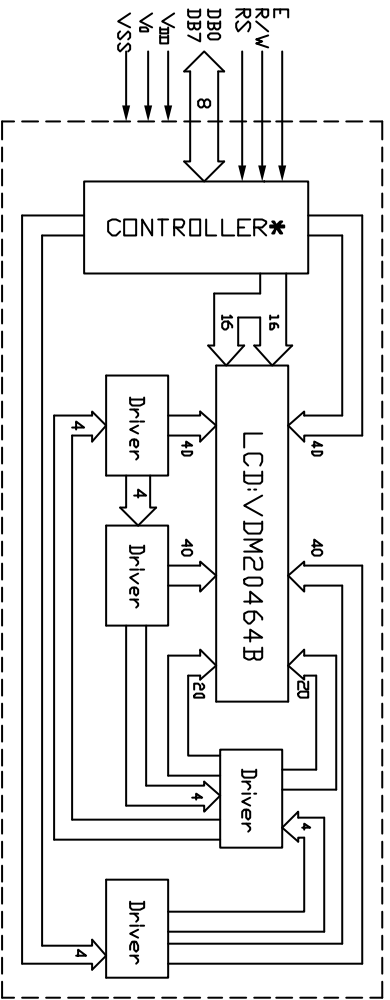


ISSUE	AMENDMENT	DATE



14 PIN CONNECTION	1	2	3	4	5	6	7	8	9	10	11	12	13	14	A	K
16 PIN CONNECTION	1	2	3	4	5	6	7	8	9	10	11	12	13	14	15	16
	VSS	VDD	VO	RS	R/W	R	DB0	DB1	DB2	DB3	DB4	DB5	DB6	DB7	LED(+)	LED(-)



* S1PC780A1 OR EQUIVALENT

TITLE: SPECIFICATION OF MODULE

PROJECT NO: MDLS20464BSP

TOLERANCE UNLESS OTHERWISE SPECIFIED
 DIMENSIONS IN MM X.X ±0.3
 X.XX ±0.1

MATERIAL:	FINISH:		
SCALE: DO NOT ON SCALE	THICKNESS:		
THIRD ANGLE PROJECTION			
DRAWN	NAME	SIGN	DATE
CHECKED	PAN WU		01.06.05
APPROVED	CHARM		
	K.P. HO		

ITEM NO. MDLS20464BSP-XX

DESCRIPTION: M DL S 20464 BSP

FILE NO: MODULE MDLS20464BSP-XX REV 0



VARRTRONIX LIMITED