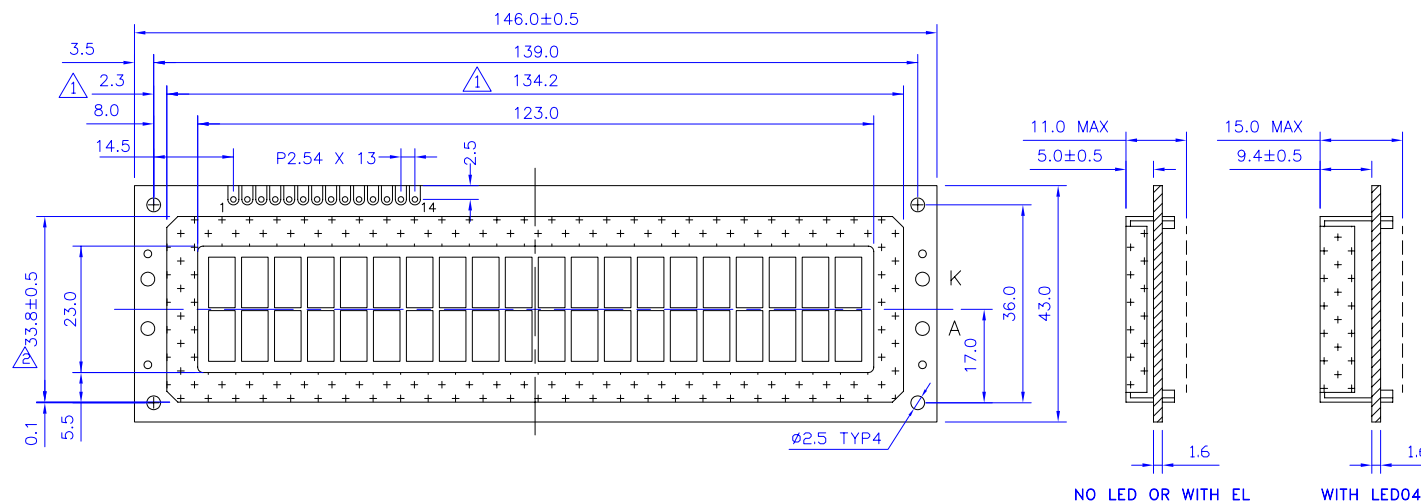
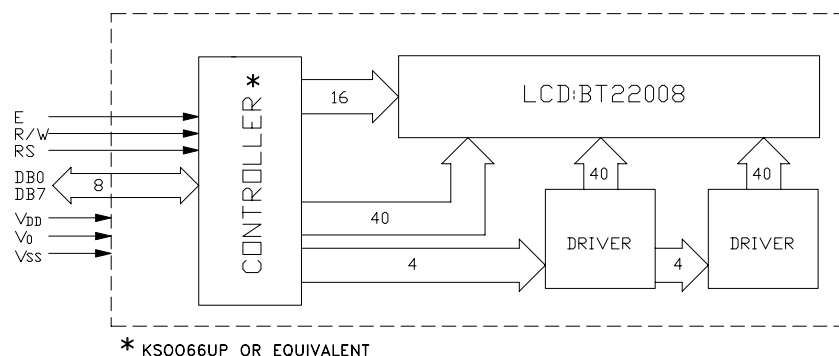


The drawing on this print and information therewith are proprietary to Varitronix and shall not be used in whole or in part without written permission of Varitronix.

ISSUE	AMENDMENT	DATE
△	MODIFY DIMENSION AND ADD NOTES	02.08.14
△	MODIFY TOLERANCE	04.07.12
△	ADD PAGE 2, REDRAW	04.12.03



DOT SIZE FOR REFERENCE ONLY



TITLE: SPECIFICATION OF MODULE

PROJECT NO: MDLS20268D

TOLERANCE UNLESS OTHERWISE SPECIFIED: X.X ±0.3 X.XX ±0.1

DIMENSIONS IN MM: ANGULAR: ±1°

MATERIAL: N/A FINISH: N/A

SCALE: DO NOT ON SCALE OVERALL THK: N/A

THIRD ANGLE PROJECTION

	NAME	SIGN	DATE
DRAWN:	JW HE		04.12.03
CHECKED:	DOS LEE		
APPROVED:	CHARM		

ITEM NO.: MDLS20268D-XX

DESCRIPTION: MDLS20268D-XX

FILE NO: MDLS20268D-XX R3 | REV: 3

SHEET 1 OF 2

D PIN ASSIGNMENT:

1	2	3	4	5	6	7	8	9	10	11	12	13	14	A	K
VSS	VDD	V0	RS	R/W	E	DB0	DB1	DB2	DB3	DB4	DB5	DB6	DB7	LED(+)	LED(-)

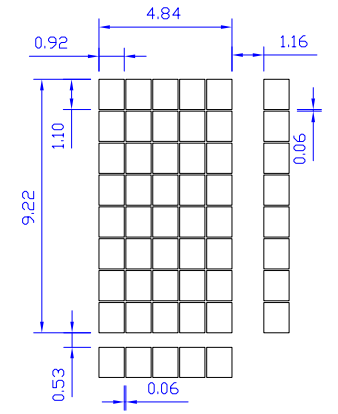
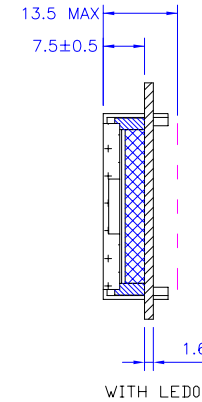
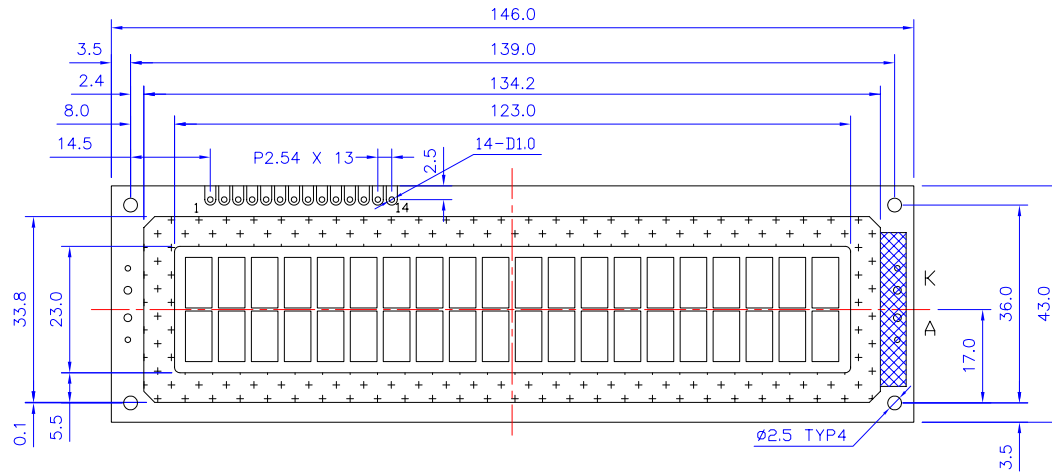
- NOTES:
- △ : SPECIAL CHARACTERISTIC
  - + : SAFETY CHARACTERISTIC
  - ▽ : CRITICAL DIMENSION
  - (...) : REFERENCE DIMENSION



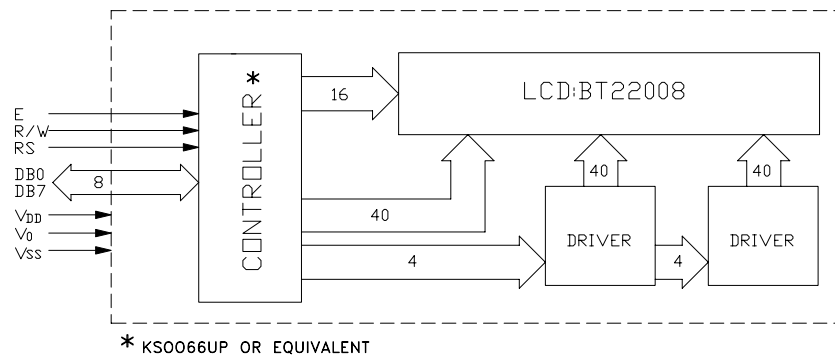
VARITRONIX LIMITED

The drawing on this print and information therewith are proprietary to Varitronix and shall not be used in whole or in part without written permission of Varitronix.

ISSUE	AMENDMENT	DATE
△	MODIFY DIMENSION AND ADD NOTES	02.08.14
△	MODIFY TOLERANCE	04.07.12
△	ADD PAGE 2, REDRAW	04.12.03



DOT SIZE FOR REFERENCE ONLY



\* KS0066UP OR EQUIVALENT

TITLE: SPECIFICATION OF MODULE

PROJECT NO: MDLS20268D

TOLERANCE UNLESS OTHERWISE SPECIFIED: X.X ±0.3 X.XX ±0.1

DIMENSIONS IN MM: ANGULAR: ±1.0

MATERIAL: N/A FINISH: N/A

SCALE: DO NOT ON SCALE OVERALL THK: N/A

THIRD ANGLE PROJECTION

	NAME	SIGN	DATE
DRAWN:	JW HE		04.12.03
CHECKED:	DOS LEE		
APPROVED:	CHARM		

ITEM NO.: MDLS20268D-XX

DESCRIPTION: MDLS20268D-XX

FILE NO: MDLS20268D-XX R3 | REV: 3

SHEET 2 OF 2

D PIN ASSIGNMENT:

1	2	3	4	5	6	7	8	9	10	11	12	13	14	A	K
VSS	VDD	V0	RS	R/W	E	DB0	DB1	DB2	DB3	DB4	DB5	DB6	DB7	LED(+)	LED(-)

NOTES:

1. <> : SPECIAL CHARACTERISTIC
2. + : SAFETY CHARACTERISTIC
3. ▽ : CRITICAL DIMENSION
4. (...) : REFERENCE DIMENSION



VARITRONIX LIMITED