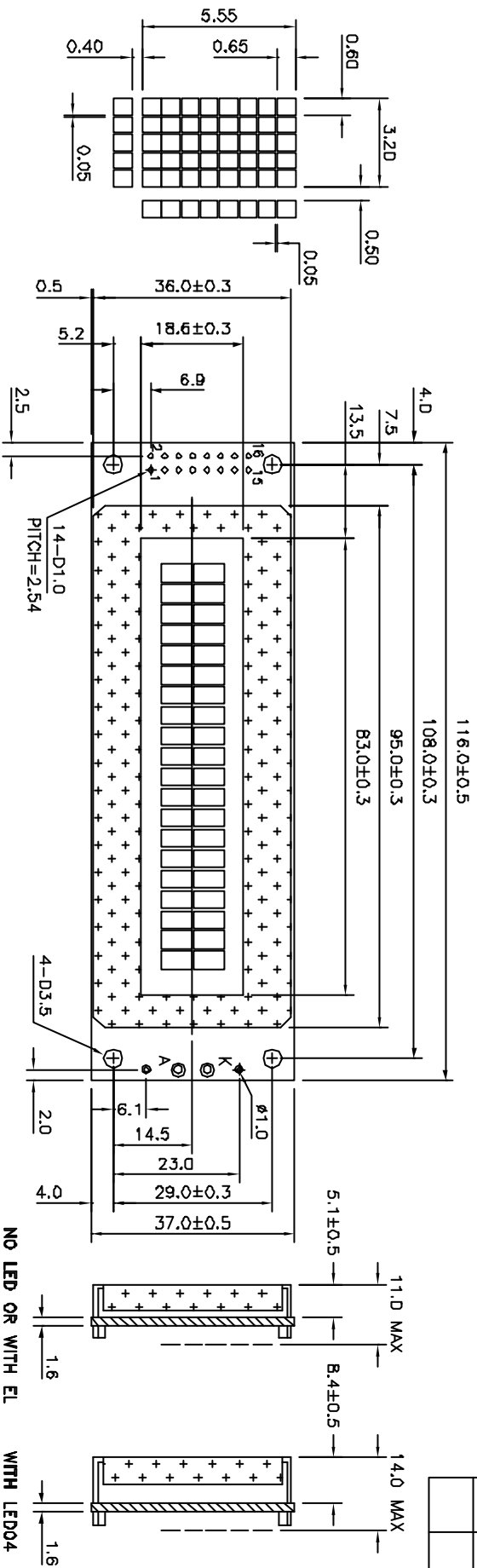
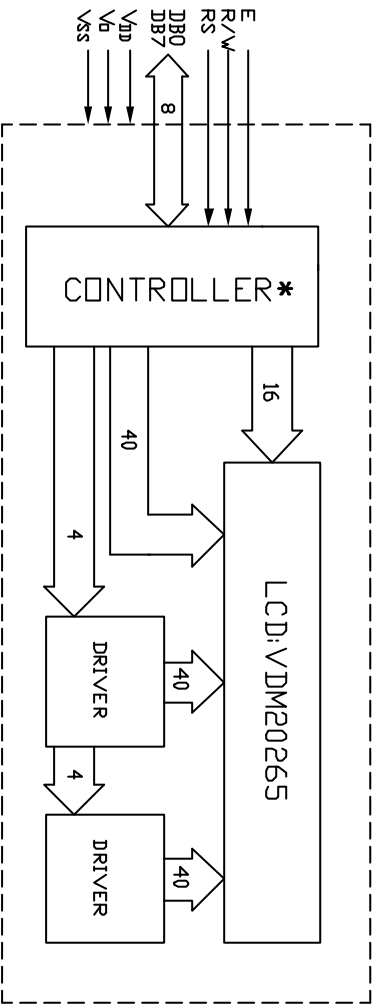


ISSUE	AMENDMENT	DATE



16 PIN CONNECTION	1	2	3	4	5	6	7	8	9	10	11	12	13	14	15(A)	16(K)
VSS	VDD	V0	RS	R/W	R	DB0	DB1	DB2	DB3	DB4	DB5	DB6	DB7	LED(+)	LED(-)	



*SP157B0A1 OR EQUIVALENT

TITLE: SPECIFICATION OF MODULE

PROJECT NO.: MDL(S)-202655SP

TOLERANCE UNLESS OTHERWISE SPECIFIED: X.XX ±0.3
X.XX ±0.1

DIMENSIONS IN MM FINISH:

SCALE: DD NOT ON SCALE THICKNESS:

THIRD ANGLE PROJECTION

DRAWN	NAME	SIGN	DATE
CHECKED	PAN WU		01.07.19
APPROVED	CHARM		
	K.P. HO		

ITEM NO. MDLS202655SP-XX

DESCRIPTION: MDLS202655SP

FILE NO: MODULE MDLS202655SP-XX REV 0



VARRTRONIX LIMITED