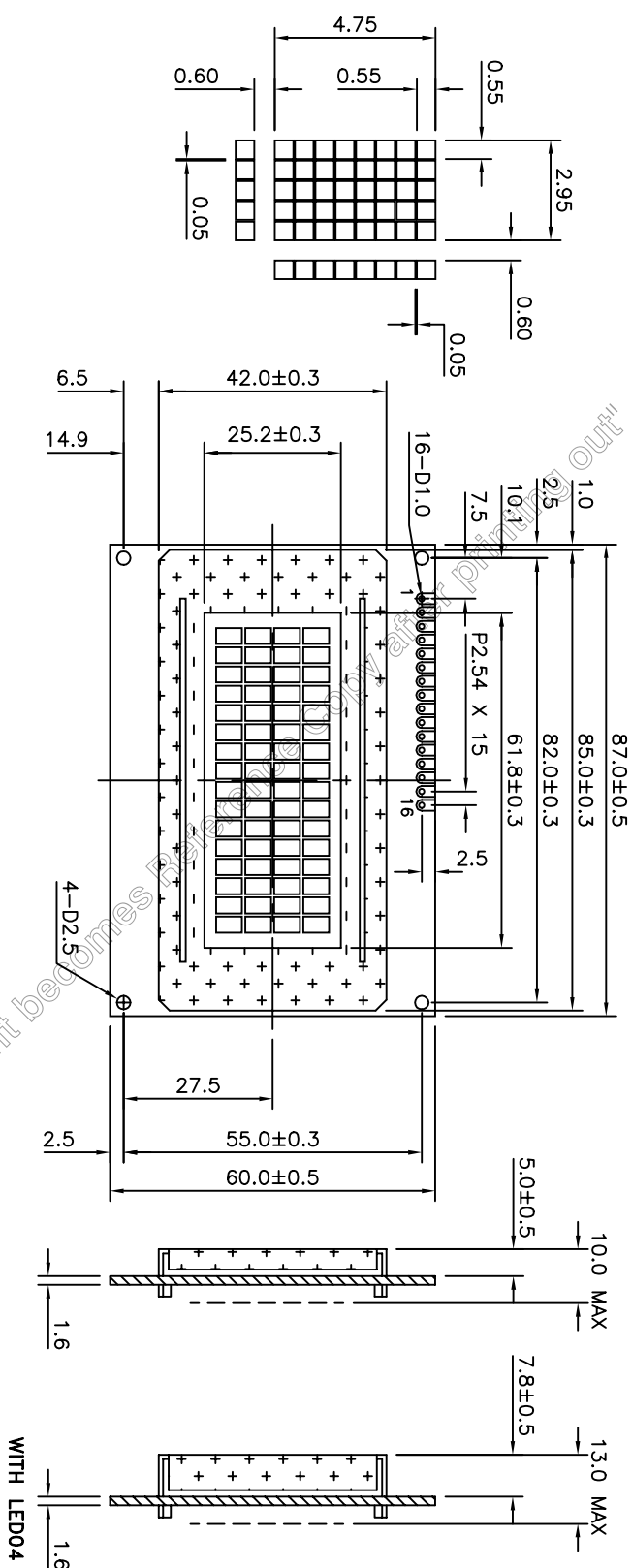
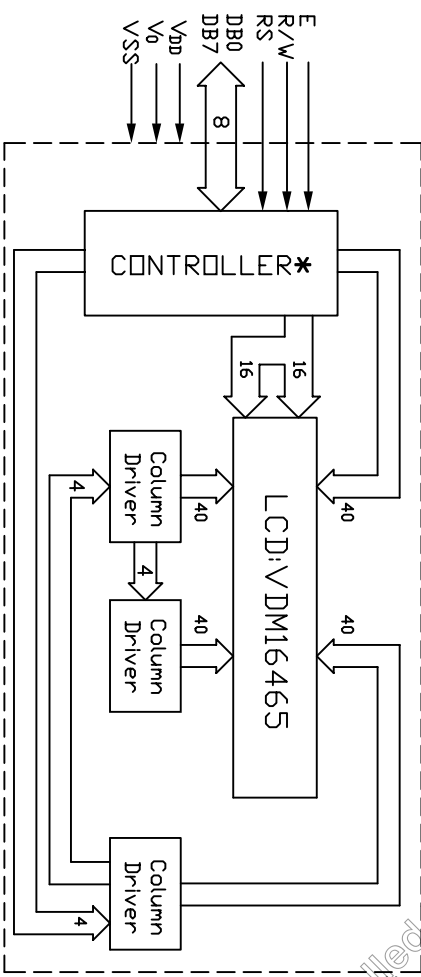


ISSUE	AMENDMENT	DATE



14 PIN CONNECTION	1	2	3	4	5	6	7	8	9	10	11	12	13	14	A	K
16 PIN CONNECTION	VSS	VDD	V0	RS	R/W	E	DB0	DB1	DB2	DB3	DB4	DB5	DB6	DB7	LED(+)	LED(-)



\* SPIC780 OR EQUIVALENT

**TITLE: SPECIFICATION OF MODULE**

**PROJECT NO: MDLS164655P**

TOLERANCE UNLESS OTHERWISE SPECIFIED:  
X.X ±0.3  
X.XX ±0.1

DIMENSIONS IN MM  
MATERIAL: FINISH:  
SCALE: DO NOT ON SCALE THICKNESS:

THIRD ANGLE PROJECTION

DRAWN	CHECKED	APPROVED	NAME	SIGN	DATE
HE JIAN WEN	CHARM	ANDY LEUNG			01.09.19

**ITEM NO. MDLS164655P-XX**

**DESCRIPTION: MDLS164655P**

**FILE NO: MODULE MDLS164655P REV 0**