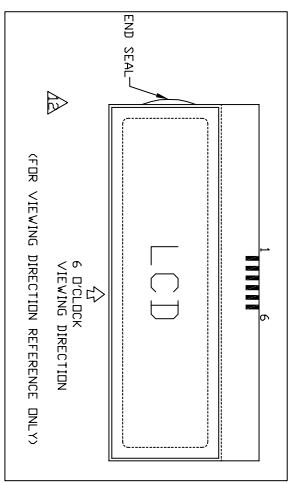
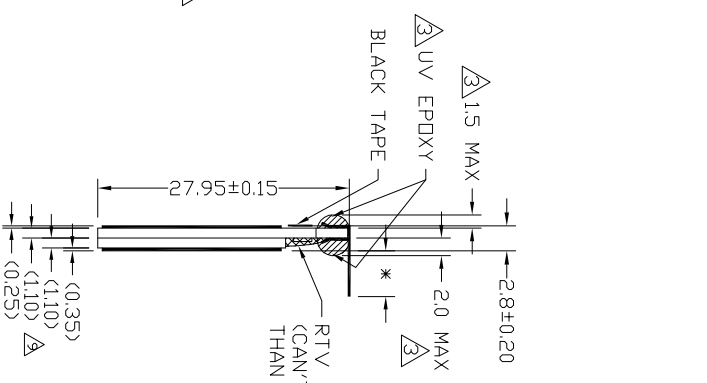
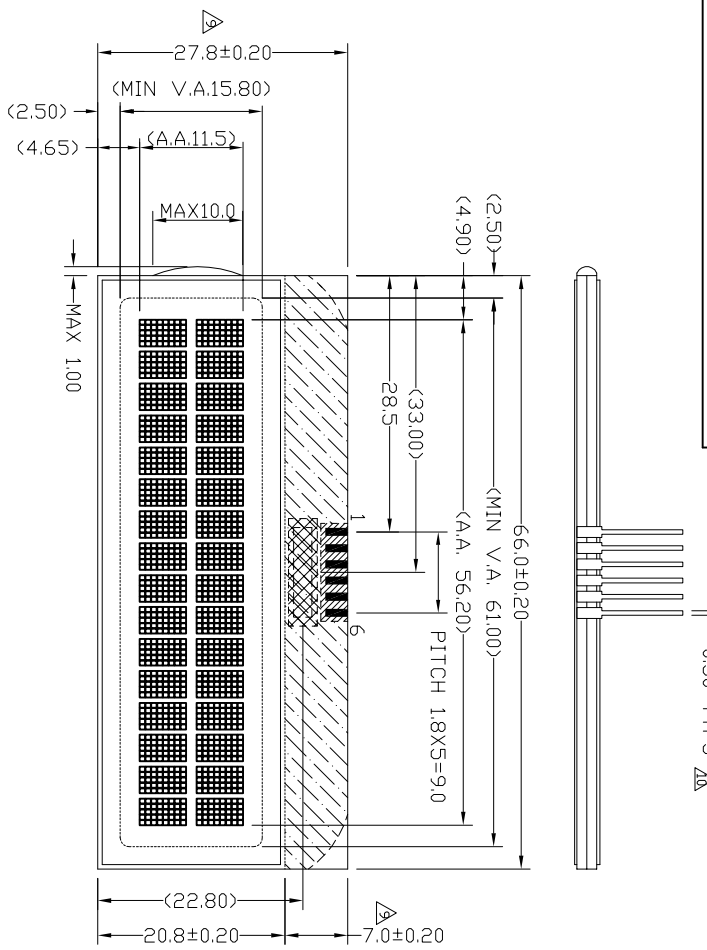


THE DRAWING ON THIS PRINT AND INFORMATION THEREON ARE PROPRIETARY TO VARRITRONIX AND SHALL NOT BE USED IN WHOLE OR IN PART WITHOUT WRITTEN PERMISSION OF VARRITRONIX.

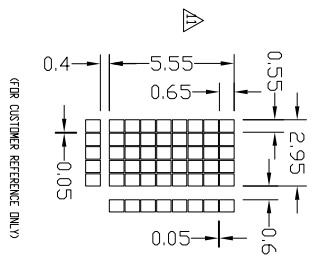
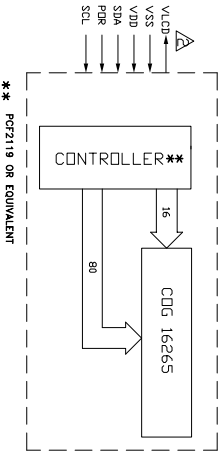


ISSUE	AMENDMENT	DATE
Δ	UPDATE DRAWING ADD ITEM -9,-10,-11	03.04.24
Δ	MODIFY TABLE	03.08.29
Δ	ADD ITEM -10 TO HEIGHT ADD ITEM -13 IN TABLE	03.10.17
Δ	ADD ITEM -14 IN TABLE	03.12.15
Δ	ADD ITEM -15 IN TABLE ADD ITEM -14 IN TABLE ADDING DIMENSION	04.04.14
Δ	CHANGE DP LENGTH	04.08.31
Δ	ADD ITEM -16 IN TABLE	05.01.12
Δ	ADD ITEM AND UPDATE TOLERANCE	08.08.11
Δ	CORRECT METAL PIN DIMENSION	08.08.25
Δ	ADD ITEM -20 IN TABLE ADD DOT SIZE	11.03.15
Δ	ADD VIEWING ANGLE IN THE DRAWING ADD VIEWING ANGLE REFERENCE DRAWING	11.05.18

XX	DESCRIPTION	VIEWING ANGLE	* DP LENGTH
-05	S-RC-DP5.20	6 ° CLCCK	5.2±0.5
-06	G-RC-DP5.20	6 ° CLCCK	5.2±0.5
-07	FSTN-RC-DP6.35	6 ° CLCCK	6.35±0.5
-08	G-F-C-DP5.20	6 ° CLCCK	5.2±0.5
-09	S-F-C-DP5.20	6 ° CLCCK	5.2±0.5
-10	S-T-C-DP5.20	6 ° CLCCK	5.2±0.5
-11	F-F-C-DP6.35	6 ° CLCCK	6.35±0.5
-12	DP8.5-HT-FH	6 ° CLCCK	8.5±0.5
-13	HT-FH-SILVER-DP6.35	6 ° CLCCK	6.35±0.5
-14	FSTN-RC-DP6.35-PCF2119AU	6 ° CLCCK	6.35±0.5
-15	HT-FH-SILVER-DP8.5	6 ° CLCCK	8.5±0.5
-16	FSTN-RC-DP6.35-PCF2119AU WITH MORE BLACK CHARACTER THAN -14	6 ° CLCCK	6.35±0.5
-17	S-T-C-DP8.5	6 ° CLCCK	8.5±0.5
-18	EHT-FSTN-RC-DP6.35-PCF2119RU	6 ° CLCCK	6.35±0.5
-19	S-RC-DP6.35-PCF2119RU	6 ° CLCCK	6.35±0.5
-20	HT-G-RC-DP5.20-TC-PCF2119RU-01	6 ° CLCCK	5.20±0.5

6 PIN	1	2	3	4	5	6
VLCD	VSS	VDD	SDA	POR	SCL	

Δ VDD MUST BE <4.0V FOR INTERNAL VLCD



NOTES:

- 1. SPECIAL CHARACTERISTIC
- 2. SAFETY CHARACTERISTIC
- 3. CRITICAL DIMENSION
- 4. REFERENCE DIMENSION


VARRITRONIX LIMITED

TITLE: ICM Specification	
PROJECT NO: COG-1626512C	
CUSTOMER REF: N/A	
TOLERANCE UNLESS OTHERWISE SPECIFIED:	XX ±0.3 XXX ±0.1 ANGULAR ±1°
DIMENSIONS IN MM	
MATERIAL: N/A	FINISH: N/A
SCALE: DO NOT DR SCALE	OVERALL THK: N/A
THIRD ANGLE PROJECTION	
DRAWN: HUANG ZHI CHENG	DATE: 11.05.18
CHECKED: NANCIAN PAN	
APPROVED: VONG MAN CHAM	
ITEM NO.: COG-1626512C-XX	
DESCRIPTION: COG-1626512C	
FILE NO: COG-1626512C-XX	REV: 12
SHEET 1	OF 1