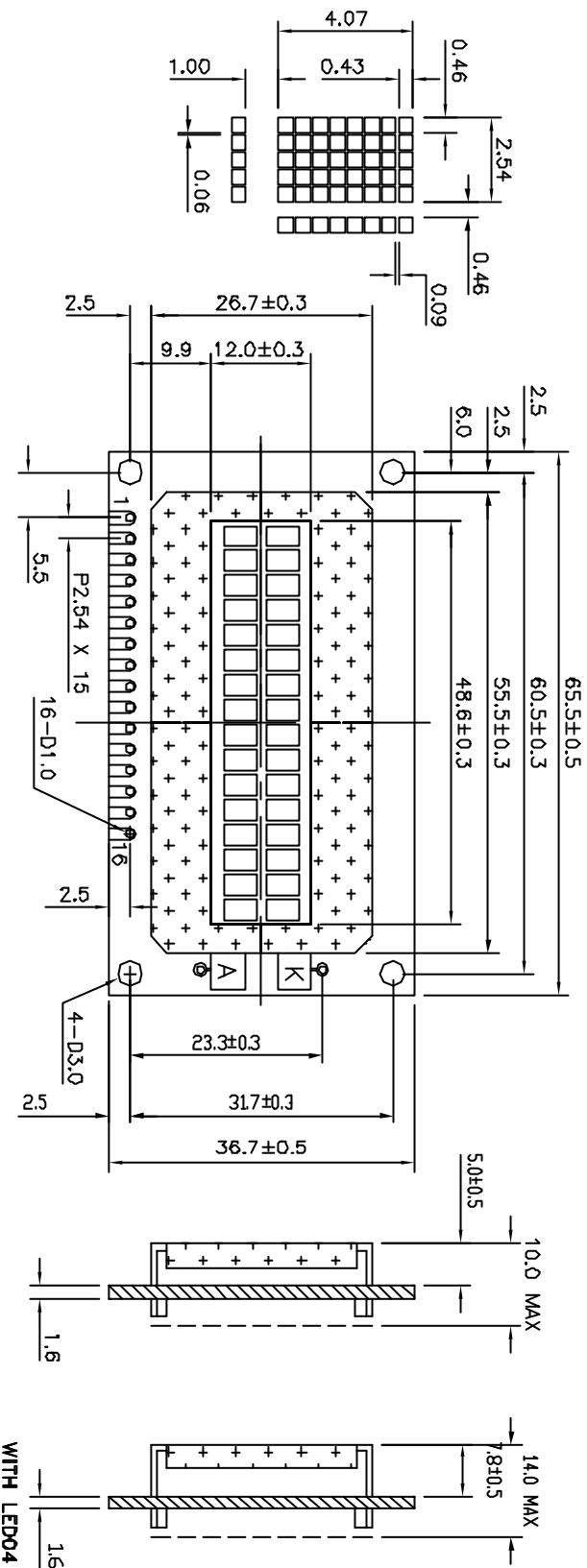
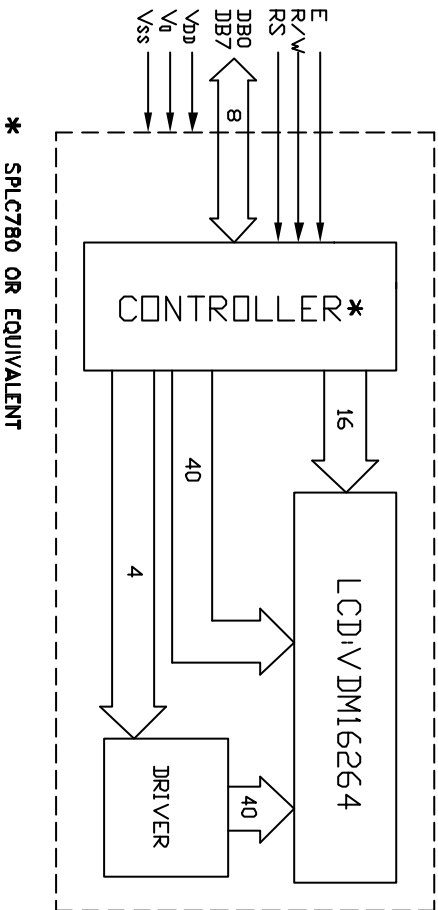


ISSUE	AMENDMENT	DATE



14 PIN CONNECTION	1	2	3	4	5	6	7	8	9	10	11	12	13	14	A	K
16 PIN CONNECTION	1	2	3	4	5	6	7	8	9	10	11	12	13	14	15	16
	VSS	VDD	V0	RS	R/W	R	DB0	DB1	DB2	DB3	DB4	DB5	DB6	DB7	LED(+)	LED(-)



* SPLC780 OR EQUIVALENT

TITLE: SPECIFICATION OF MODULE

PROJECT NO: MDLS16264SP-XX

TOLERANCE UNLESS OTHERWISE SPECIFIED: X.XX ±0.3
X.XX ±0.1

DIMENSIONS IN MM FINISH:

SCALE: DO NOT ON SCALE THICKNESS:

THIRD ANGLE PROJECTION

THIRD ANGLE PROJECTION	NAME	SIGN	DATE
DRAWN	PAN WU		01.03.26
CHECKED	CHARM		
APPROVED	K.P. HO		

ITEM NO. MDLS16264SP-XX

DESCRIPTION: MDLS16264SP

FILE NO: SPEC 16264 REV 0

SHEET 1 OF 1