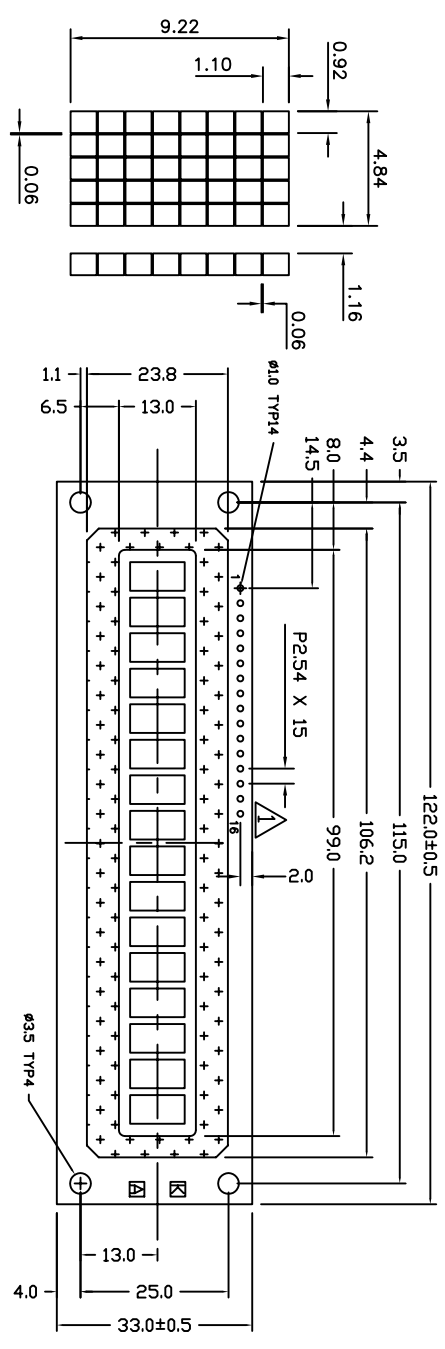
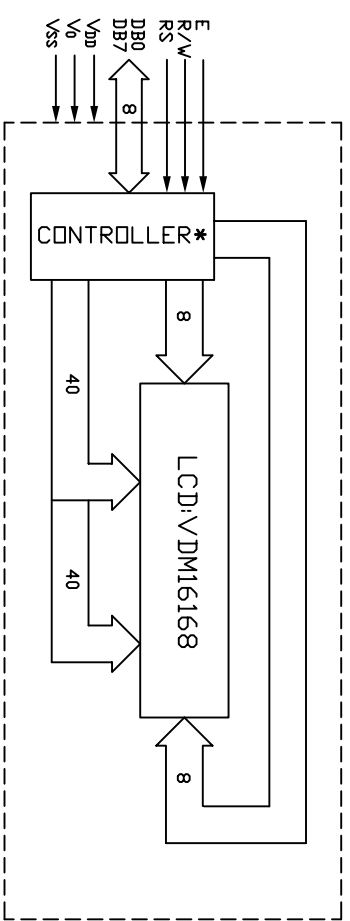


ISSUE	AMENDMENT	DATE
1	CHANGE FROM PIN14 TO PIN16	01.11.26
2	ADD LED WHITE(PAGE 2)	06.07.26



14 PIN CONNECTION	1	2	3	4	5	6	7	8	9	10	11	12	13	14	A	X
16 PIN CONNECTION	VSS	VDD	V0	RS	R/W	E	DB0	DB1	DB2	DB3	DB4	DB5	DB6	DB7	LED(+)	LED(-)

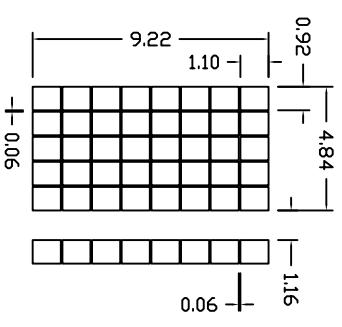
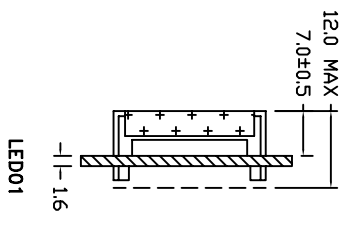
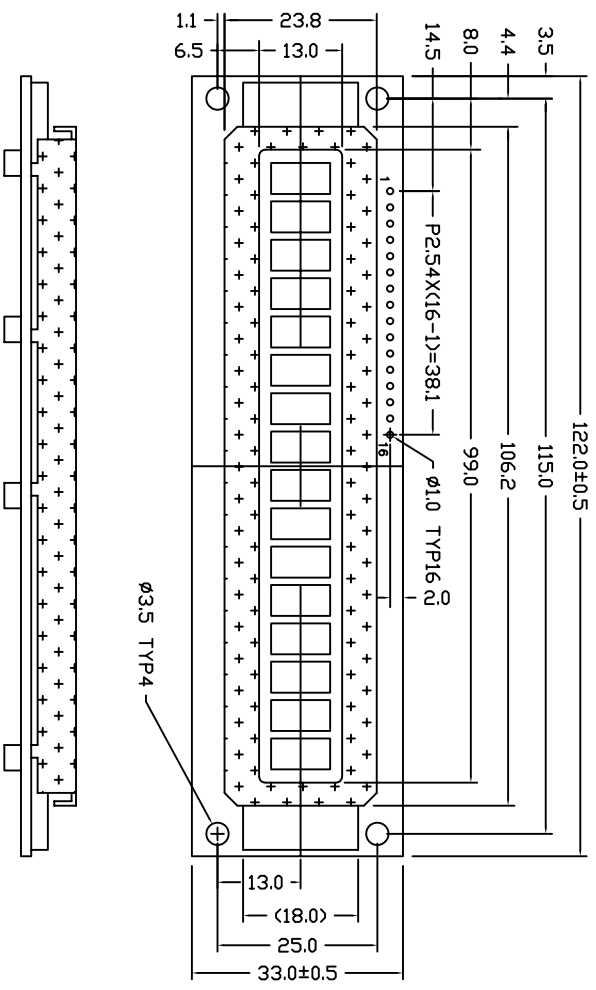


\* KKS0066UP OR EQUIVALENT  
 \* ELECTRICALLY CONFIGURED AS 8 CHARACTERS X 2 LINES

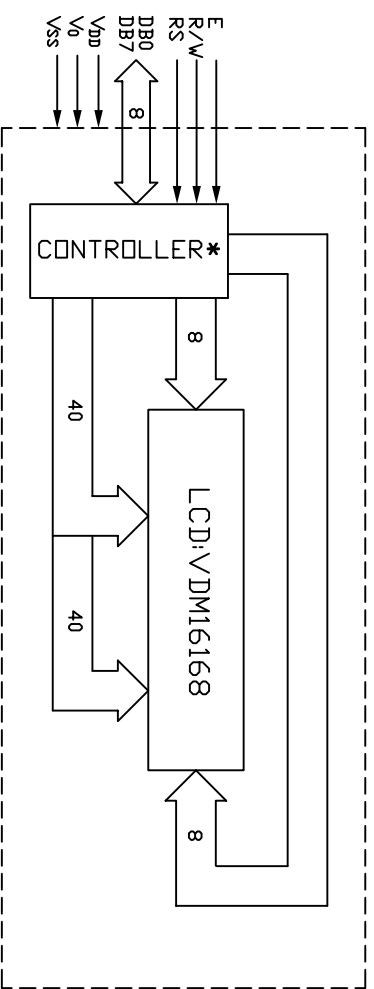
NOTES:  
 '◇' SPECIAL CHARACTERISTIC  
 '+, ' SAFETY CHARACTERISTIC  
 '○' REFERENCE ONLY  
 '▽' CRITICAL DIMENSION

**V** VARI TRONIX LIMITED

TITLE: SPECIFICATION OF MODULE	
PROJECT NO.: MDL S16168D	
TOLERANCE UNLESS OTHERWISE SPECIFIED:	X.X ±0.3 X.XX ±0.1 ANGULAR: ±1.0°
MATERIAL: N/A	FINISH: N/A
SCALE: 3D NOT IN SCALE	OVERALL THK: N/A
THIRD ANGLE PROJECTION	
DRAWN: XG CHEN	DATE: 06.07.26
CHECKED: XIE SHENG	
APPROVED: CHARM	
ITEM NO.: MDL S16168D-XX	
DESCRIPTION: MDL S16168D	
FILE NO.: MDL S16168D-XX R2.DWG REV: 2	
SHEET 1	OF 2



ISSUE	AMENDMENT	DATE
1	CHANGE FROM PINT4 TO PIN16	01.11.26
2	ADD LED WHITE(PAGE 2)	06.07.26



16 PIN CONNECTION	1	2	3	4	5	6	7	8	9	10	11	12	13	14	15	16
VSS	VDD	VO	RS	R/W	E	DB0	DB1	DB2	DB3	DB4	DB5	DB6	DB7	LEDD(+)	LEDD(-)	

\*KS0066UP OR EQUIVALENT  
\*ELECTRICALLY CONFIGURED AS 8 CHARACTERS X 2 LINES

NOTES:

- ◇ SPECIAL CHARACTERISTIC
- + SAFETY CHARACTERISTIC
- ∠ REFERENCE DIMENSION
- ∇ CRITICAL DIMENSION

  
**VARI TRONIX LIMITED**

TITLE: SPECIFICATION OF MODULE	
PROJECT NO.: MDLS16168D	
TOLERANCE UNLESS OTHERWISE SPECIFIED:	XX ±0.3 X.XX ±0.1 ANGULAR: ±1.0°
MATERIAL: N/A	FINISH: N/A
SCALE: DO NOT IN SCALE	OVERALL THK: N/A
THIRD ANGLE PROJECTION	
DRAWN: XG CHEN	DATE: 06.07.26
CHECKED: XIE SHENG	
APPROVED: CHARM	
ITEM NO.: MDLS16168D-XX	
DESCRIPTION: MDLS16168D	
FILE NO.: MDLS16168D-XX R2.DWG REV: 2	
SHEET 2	OF 2