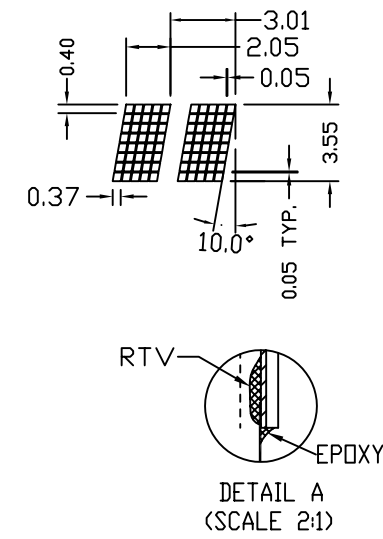
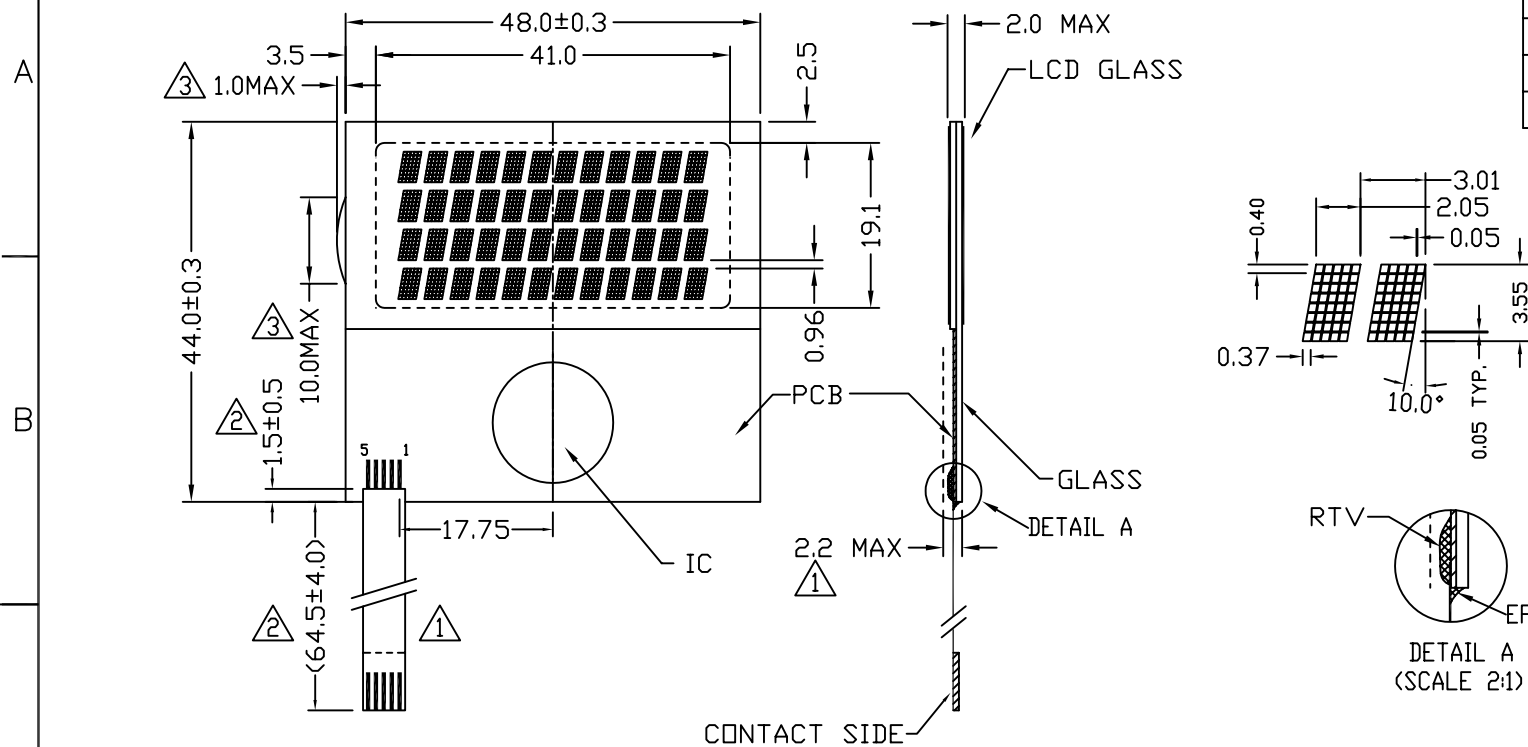
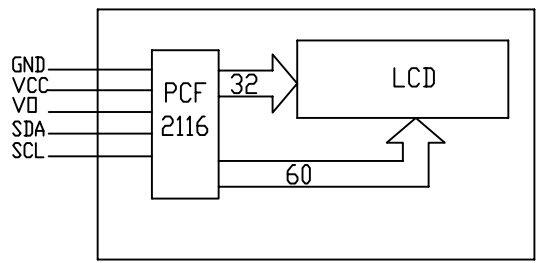


The drawing on this print and information therewith are proprietary to Varitronix and shall not be used in whole or in part without written permission of Varitronix.

ISSUE	AMENDMENT	DATE
1	ADD NOTES MODIFY DIMENSION ADD FLAT CABLE	02.06.10
2	REDRAW ADD RTV & EPOXY ADD & MODIFY DIMENSION	02.07.25
3 <sup>2</sup>	UPDATE DIMENSION	05.06.30



5 PIN CONNECTION	1	2	3	4	5
	GND	VCC	VO	SDA	SCL



1

NOTES

- 1. ◇ : SPECIAL CHARACTERISTIC DIMENSION
- 2. + : SAFETY CHARACTERISTIC
- 3. (.....) : FOR REFERENCE ONLY
- 4. ▽ : CRITICAL DIMENSION

TITLE: LCM Module Specification			
PROJECT NO: MDL(S)12433P			
TOLERANCE UNLESS OTHERWISE SPECIFIED:	X.X ±0.3	X.XX ±0.1	
DIMENSIONS IN MM	ANGULAR: ± 1°		
MATERIAL: N/A	FINISH: N/A		
SCALE: DO NOT ON SCALE	OVERALL THK: N/A		
THIRD ANGLE PROJECTION			
	NAME	SIGN	DATE
DRAWN:	XB LONG		
CHECKED:	JW HE		
APPROVED:	CHARM		
ITEM NO.: MDLS12433P-XX			
DESCRIPTION: MDLS12433P			
FILE NO: MDLS12433P-XX R3 REV: 3			
SHEET	1	OF	1

**VARITRONIX LIMITED**