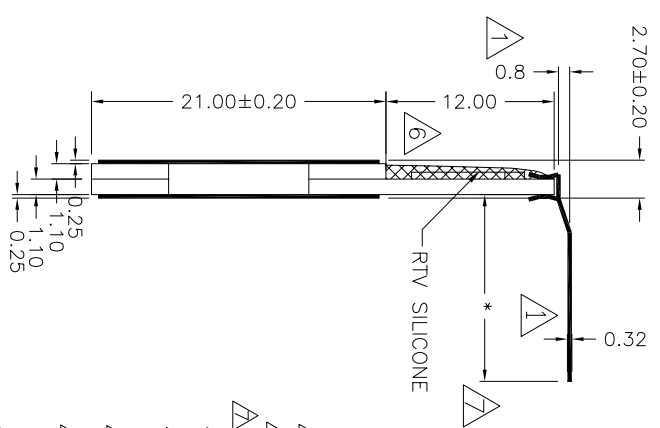
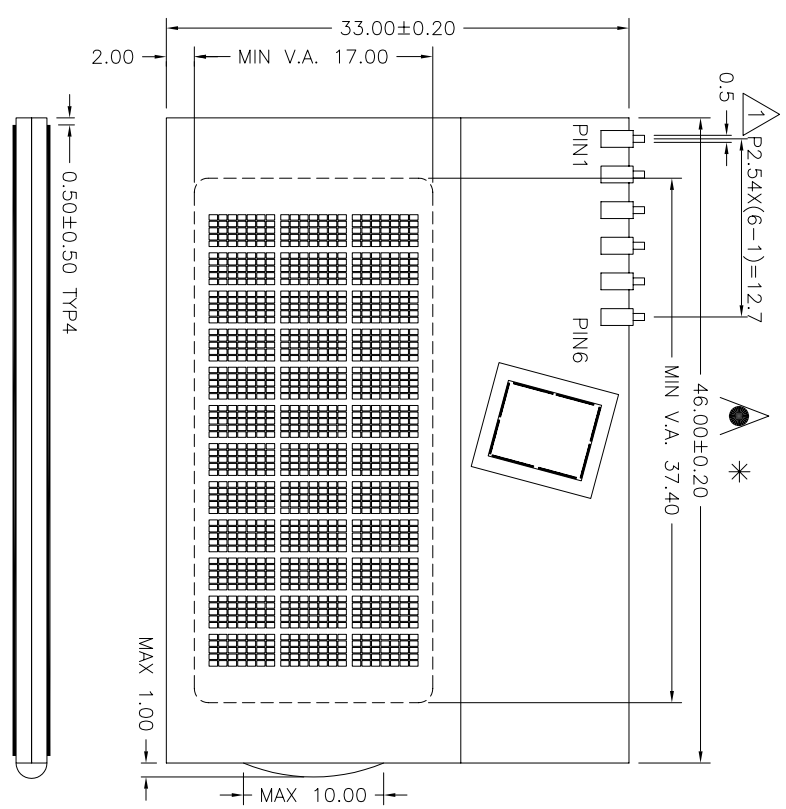


The information contained in this document is proprietary to VARRITRONIX LTD. and shall be protected from any reproduction in part or as a whole without Varritronix's written approval.



XX	DESCRIPTION	* DP LENGTH
-01	SIL VER	7.0±0.5
-02	RC-6-LV-DP7.0	7.0±0.5
-03	FC-6-LV-DP7.0	7.0±0.5
-04	FC-6-LV-DP6.35	6.35±0.5
-05	FC-6-LV-DP7.0	7.0±0.5
-06	FC-6-LV-DP6.35	6.35±0.5
-07	S-RC-DP6.35 WITH VDD=3V	6.35±0.5
-08	FC-6-LV-S	6.35±0.5
-09	HT-FH-G-6	6.35±0.5
-10	HT-FH-S-6	6.35±0.5
-12	S-RC-DP6.35 PCF2116CU WITH VDD=3V	6.35±0.5
-13	RC-6-LV-DP7.0	7.0±0.5

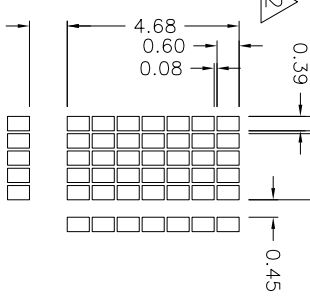
PIN ASSIGNMENT:

1	2	3	4	5	6
SCL	SDA	VO	VLCD	VDD	VSS

NOTES:

- 1 ◇ : SPECIAL CHARACTERISTIC
- 2 + : SAFETY CHARACTERISTIC
- 3 ▽ : CRITICAL DIMENSION
- 4 (.) : REFERENCE DIMENSION

DOT SIZE FOR CUSTOMER REFERENCE



TITLE: SPECIFICATION OF MODULE

PROJECT NO: COG-12325

TOLERANCE UNLESS OTHERWISE SPECIFIED: XX ±0.3
XXX ±0.1
DIMENSIONS IN MM ANGULAR: ±1°
MATERIAL: N/A FINISH: N/A
SCALE: DIM NOT ON SCALE OVERALL THK: N/A

THIRD ANGLE PROJECTION		NAME	SIGN	DATE
DRAWN:	XH CHEN			06.07.25
CHECKED:	XIE SHENG			
APPROVED:	CHARM			

ITEM NO.: COG-12325-XX

DESCRIPTION: COG-12325

FILE NO: COG-12325-XX R8.DWG/REV: 8

SHEET 1 OF 1

