

Medium Current Slide Switch

SLS-496 Series

1/5

Features

- ◇ It is a small size switch for medium current.
- ◇ A sharp click feeling.
- ◇ Cadmium is not using for contact.
- ◇ The safety standard is acquired. (TUV,CQC)
- ◇ Resin uses non-flame grade.



Applications

- ◇ Circuit switching for drier and a hot carpet etc.

Product number system

SLS-1a-496b-c-de

a : Knob position / 2: 2position
3: 3position

b : Model number / A-Z

c : Circuit diagram / A: A Type
B: B Type
C: C Type
D: D Type

d : Terminal shaped / Blank : Solder terminal
P: PCB terminal
H: PCB terminal with hole

Products line

No	Products number	Poles	Positions	Travel	Terminal shape
1	SLS-13-496F-AH	1	3	2.5	Print
2	SLS-13-496G-A		3	2.5	Lead
3	SLS-12-496H-D		2	5	Lead
4	SLS-13-496J-AP		3	2.5	Print
5	SLS-13-496K-C		2	2.5	Lead
6	SLS-13-496M-BH		2	2.5	Print

Typical specifications

Items	Specifications
Rating (max) (resistive load)	3A 100VAC
Contact resistance	20 milliohm
Insulation resistance	100 megohm
Withstanding voltage	1,000VAC 1min.
Operating force	1.96 plus or minus 0.98N
Operating life	10,000 cycles
Operation temperature range	From -10 to +60 degree Celsius
Storage temperature range	From -20 to +70 degree Celsius

Dimensions

Unit : mm

No	Style	Circuit diagram															
3	<p>SLS-12-496H-D</p>	<table border="1" data-bbox="1268 795 1465 862"> <thead> <tr> <th rowspan="2">Circuit</th> <th colspan="2">Knob position</th> </tr> <tr> <th>A</th> <th>B</th> </tr> </thead> <tbody> <tr> <td>c-2</td> <td>OFF</td> <td>ON</td> </tr> </tbody> </table>	Circuit	Knob position		A	B	c-2	OFF	ON							
Circuit	Knob position																
	A	B															
c-2	OFF	ON															
4	<p>SLS-13-496J-AP</p>	<table border="1" data-bbox="1268 1702 1465 1780"> <thead> <tr> <th rowspan="2">Circuit</th> <th colspan="3">Knob position</th> </tr> <tr> <th>A</th> <th>B</th> <th>C</th> </tr> </thead> <tbody> <tr> <td>c-2</td> <td>OFF</td> <td>OFF</td> <td>ON</td> </tr> <tr> <td>c-1</td> <td>OFF</td> <td>ON</td> <td>ON</td> </tr> </tbody> </table>	Circuit	Knob position			A	B	C	c-2	OFF	OFF	ON	c-1	OFF	ON	ON
Circuit	Knob position																
	A	B	C														
c-2	OFF	OFF	ON														
c-1	OFF	ON	ON														

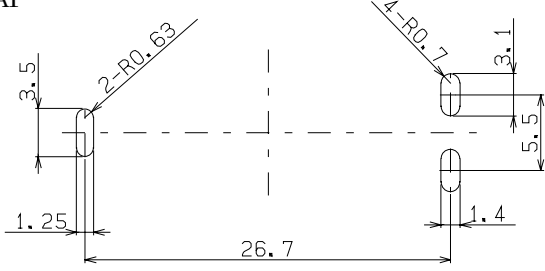
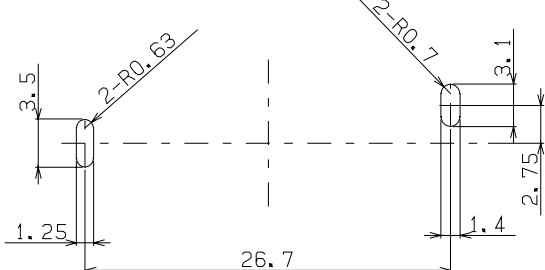
Dimensions

Unit : mm

No	Style	Circuit diagram												
5	<p>SLS-13-496K-C</p>	<p>11A 125VAC / 5.5A 250VAC</p> <table border="1"> <thead> <tr> <th>Circuit</th> <th colspan="3">Knob position</th> </tr> <tr> <th>C-1</th> <th>A</th> <th>B</th> <th>C</th> </tr> </thead> <tbody> <tr> <td></td> <td>OFF</td> <td>ON</td> <td>ON</td> </tr> </tbody> </table>	Circuit	Knob position			C-1	A	B	C		OFF	ON	ON
Circuit	Knob position													
C-1	A	B	C											
	OFF	ON	ON											
6	<p>SLS-13-496M-BH</p>	<p>11A 125VAC / 5.5A 250VAC</p> <table border="1"> <thead> <tr> <th>Circuit</th> <th colspan="3">Knob position</th> </tr> <tr> <th>C-2</th> <th>A</th> <th>B</th> <th>C</th> </tr> </thead> <tbody> <tr> <td></td> <td>OFF</td> <td>OFF</td> <td>ON</td> </tr> </tbody> </table>	Circuit	Knob position			C-2	A	B	C		OFF	OFF	ON
Circuit	Knob position													
C-2	A	B	C											
	OFF	OFF	ON											

Dimensions

Unit : mm

No	PC board mounting hole dimension (TOP VIEW)
SLS-13-496F-AH,SLS-13-496J-AP	
SLS-13-496M-BH	

Notes

- The appearance and specifications of the product may be modified to improve its performance without prior notice.
- This catalog shows only outline specifications. When using the product, please obtain formal specifications.
- Regardless of the applications of these products being introduced in this catalog, when using them for equipments and devices requiring a high degree of safety, respective manufacturers shall preserve the safety of the planned equipments and devices by providing necessary protective and redundancy circuits and reconfirm if safety is being duly preserved.
- The general-use switches cannot be washed. If the switch is washed, the lubricating oil on contacts and mechanical portions may flow out and also detergent remains inside the switch, these may be the factors to cause intermittent contact, insulation fault and withstanding voltage fault. If you need the cleaning, please select the washable switch.
- Please confirm the performance on actual operation by simulation with actual environment for high reliability.
- An unstable contact may occur if the switch current is lower than 500mA in using power switches, for such weak current can not destroy the thin film on the contact surfaces, and be mindful of this point thoroughly in advance.
- Note that if the stress more than specifications is applied to the switch during the operation, they might cause deformation and defects in electrical performance. Care shall be taken not to apply abnormal stress to the switch.
- Insert the switch body to the specified mounting surface and mount it horizontally. If not mounted horizontally, the switch will malfunction.
- In case of the soldering of the slide switches, it shall be made after the operating knob changes over completely. If the soldering goes on in course of switching, operating force may fall greatly.
- In manual soldering, consider that the abnormal pressure of the soldering iron shall not be applied to the tip of the terminal as well do not apply any pressure for more than 1 minute after soldering.
- If the switches are used in the following environment, the performance and the characteristics may have bad influence. Under the environment of corrosive gas such as Cl_2 , H_2S , NO_2 , SO_2 , NH_3 . At the place of the possibility of the attachment of water-drop, moisture, salty water, oil, agent and organic solvent. Under the places of direct sunshine and dusty environment.
- If the switches are not used immediately, please store them as delivered in the following environment: with temperature at -10 to +60 degree C, relative humidity 25 to 75% without water-drop and direct sunshine. There might be the possibility of the chemical action by sulfur at silver plated terminal, which leads to the reduction of solderability and creation of the oxidization and the rust if the switches are stored in the high temperature and high humid environment for a long time (approx. 6 months). After the break of the seal, the remaining of the switches shall be stored in a plastic bag to separate them from the moisture and corrosive gas.