

2mm,4mm Travel Gold contact Slide Switch SLD-766 Series

1/4

□ Features

- ◇ 2mm and 4mm travel.
- ◇ A sharp click feeling.
- ◇ Lead free.
- ◇ There is a Au contact type.



□ Applications

- ◇ For antenna booster, a radio cassette recorder, a stereo
- ◇ Signal switching for office equipment's and telephone sets, VTR.

□ Products line

No	Products number	Poles	Positions	Blind sheet	Knob length(L)
1	SLD-23-766BAU	2	3	None	12.9
	SLD-23-766BAU-1			Mounting	
2	SLD-23-766CAU	2	3	None	10.3
	SLD-23-766CAU-1			Mounting	
3	SLG-22-766DAU	2	2	None	10.3
	SLG-22-766DAU-1			Mounting	

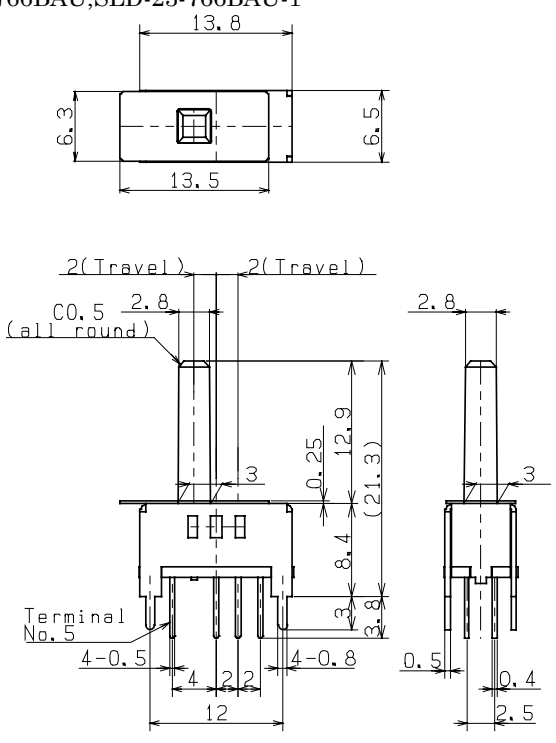
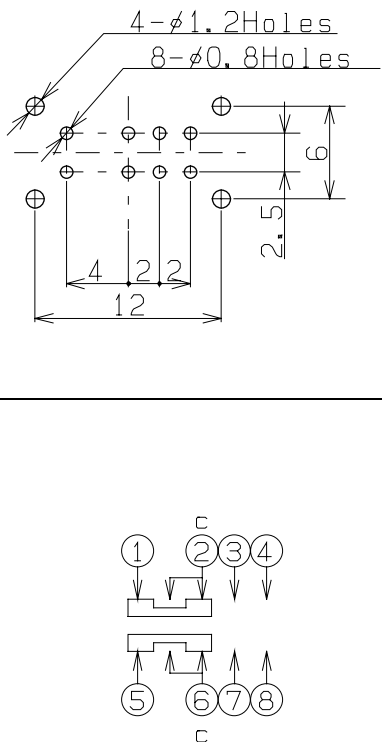
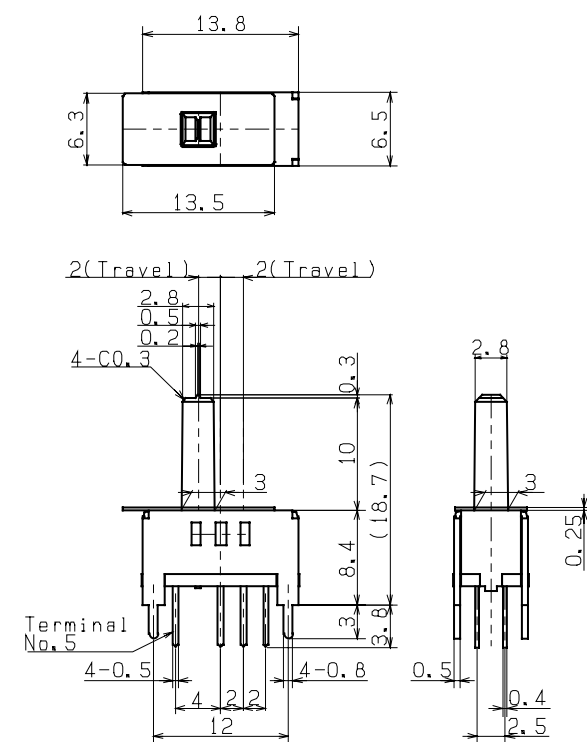
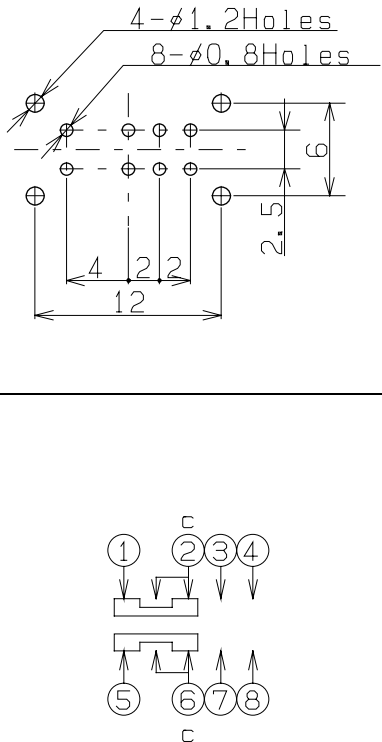
◇ Please it is possible to correspond also to the silver contact type, and I must say separately and apply it when you demand.

□ Typical specifications

Items	Specifications
Rating (max) (resistive load)	0.3A 30VDC
Contact resistance	100 milliohm
Insulation resistance	100 megohm
Withstanding voltage	500VAC 1min.
Operating force	Refer to the dimensions
Operating life (without load)	10,000 cycles
Operation temperature range	From -10 to +60 degree Celsius
Storage temperature range	From -20 to +70 degree Celsius

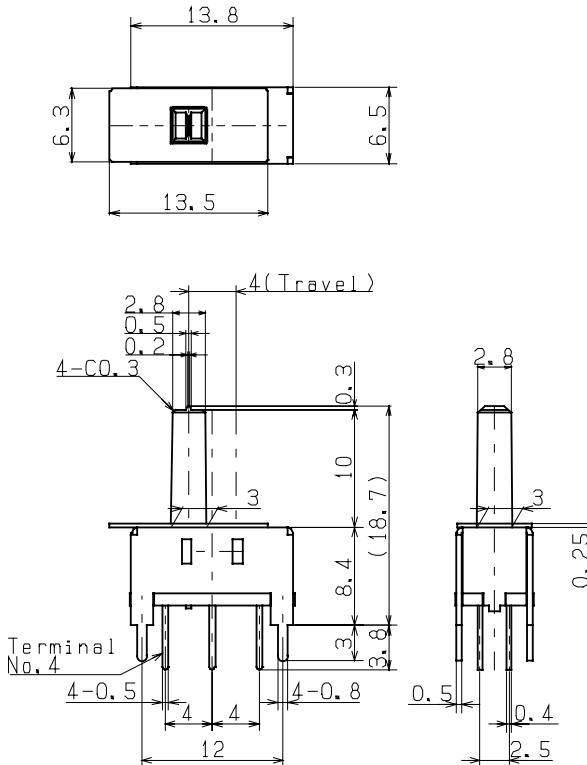
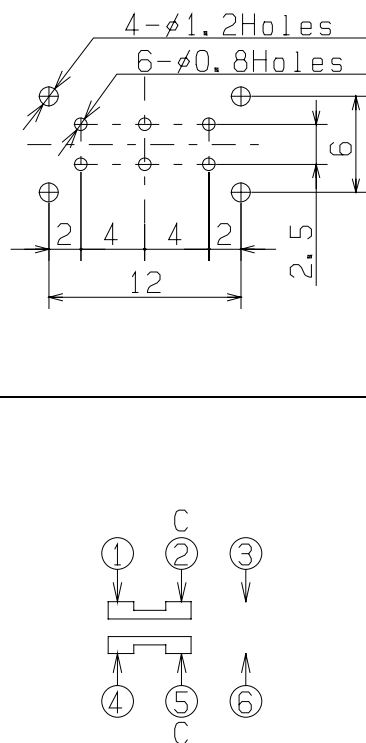
Dimensions

Unit : mm

No	Style	PC board mounting hole dimension (TOP VIEW) Circuit diagram
1	<p>SLD-23-766BAU, SLD-23-766BAU-1</p>  <p>Operating force : From right and left to center, 0.98 from 3.92N From center to right and left 0.98 from 4.9N The figure represents SLD-23-766BAU-1.</p>	
2	<p>SLD-23-766CAU, SLD-23-766CAU-1</p>  <p>Operating force : From right and left to center, 0.98 from 3.92N From center to right and left 0.98 from 4.9N The figure represents SLD-23-766CAU-1.</p>	

Dimensions

Unit : mm

No	Style	PC board mounting hole dimension (TOP VIEW) Circuit diagram
3	<p>SLG-22-766DAU,SLG-22-766DAU-1</p>  <p>The figure represents SLG-22-766DAU-1. Operating force : From 0.98 to 3.92 N</p>	

Notes

1. The appearance and specifications of the product may be modified to improve its performance without prior notice.
2. This catalog shows only outline specifications. When using the product, please obtain formal specifications.
3. Regardless of the suggested applications of these products being introduced in this catalog, when using them for equipment's and devices requiring a high degree of safety, respective manufacturers shall preserve the safety of the planned equipment's and devices by providing necessary protective circuits and redundancy circuits and reconfirm if safety is being duly preserved.
4. These switches are not washable. Note that if the switches are washed, the lubricant at contact portion and mechanism flows out and it may cause operating failures. Also the remains of the detergent stayed inside of the switch may lead to the failure of contact, insulation and withstanding voltage.
5. Please confirm the performance on actual operation by simulation with actual environment environments for high reliability.
6. Note that if the stress more than specifications are applied to the switch during the operation, it may cause the deformation and defects in electrical performance. Care shall be taken not to apply abnormal stress to the switch.
7. Please solder when the knob stands at the correct switching position. If the soldering is done at the middle position of the stroke there may cause the reduction of the operating force.
8. In case of the soldering by auto-dip, please be sure to carry the testing of mounting before the usage. Also the soldering flux protective agent is recommended to prevent the penetration of flux.
9. In case of the manual soldering, consideration should be given to applying the soldering iron to the tip of the terminals and avoid the abnormal stress to the terminals. Please do not apply pressure for 1 minute after soldering.
10. As the melted flux might penetrate into the switch, please do not wipe off the flux by the cleaning solvent after the soldering
11. If the switches are used in the following environment, the performance and the characteristics may influence.
Corrosive gas such as Cl₂, H₂S, NO₂, SO₂, NH₃.
Places attaching water drop moisture, salty water, oil, agent and organic solvent.
Places of direct sunshine and dusty environment.

12. If the switches are not used immediately, please store them as delivered in the following environment: with temperature at -10 to 60 degree Celsius relative humidity 25 to 75% without water-drop and direct sunshine. There might be the possibility of the chemical reaction by sulfur on the silver plated terminals which lead to the reduction of solderbility and creation of the oxidization and the rust, if the switches are stored in the high temperature and high humid environment for the long time (Approx. 6 months)
After the break of the seal, the remaining of the switches shall be stored in a plastic bag to separate them from the moisture and corrosive gas.