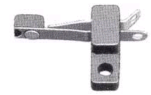


# Normally close type leaf switch LSB-1119

## Features

- ◇ High quality by fully automated production process.
- ◇ Gold plated contact with high environment resistance is available.



Actual size

## Applications

- ◇ Mechanism for general audio and car audio products.
- ◇ For various kind of low current switching use.

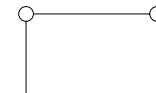
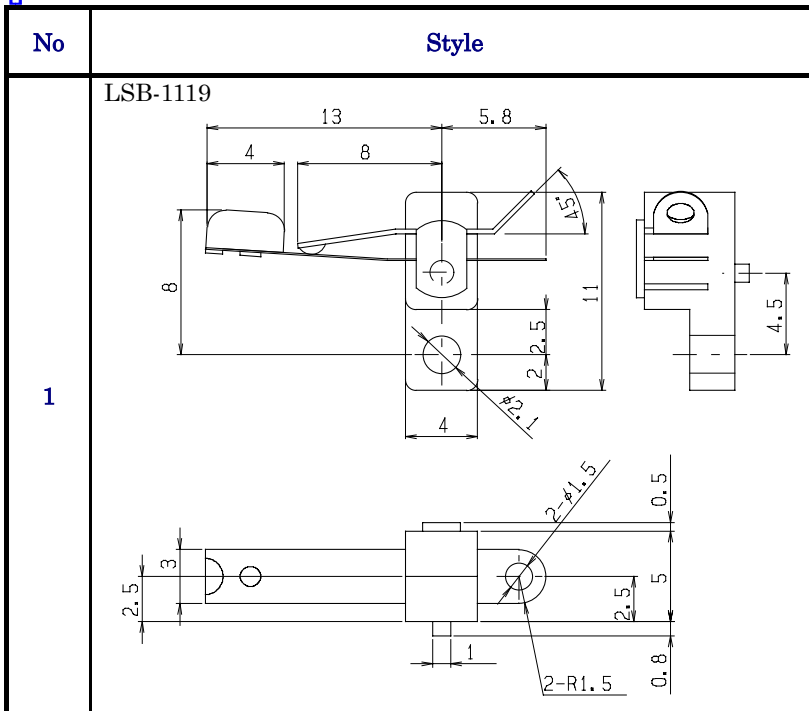
## Products Line , Typical Specifications

No	Products No.	No. of circuits	No. of contacts	Fixing method	Max rating (Resistive load)	Contact resistance	Electrical life
1	LSB-1119	1	1	Screw	0.3 A 15 V DC	100 milliohm	20,000 cycles

## Dimensions

Unit : mm

## Circuit diagram



Circuit diagram

## Notes

1. The appearance and specifications of the product may be modified without prior notice to improve its performance.
2. This catalog shows only outline specifications. When using the product, please obtain formal specifications.
3. Please see appendix [Cautions in Using Switches].
4. This switch is not washable.
5. In manual soldering, consideration should be given to apply the soldering iron to the tip of the terminal so that unusual pressure is not applied to the terminal.
6. Please do not apply pressure for 1 minute after soldering.
7. Care shall be taken not to attach flux on the terminal portion.