

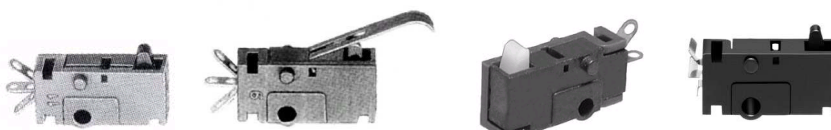
Micro quick action switches MQS-1 / -2 / -3 type

□ Features

- ◇ Compact, partially closed & popular type quick action switch.
- ◇ Stabilized operation with light operation force & stroke.
- ◇ Mountable on either sides, and actuator can be mounted according to request.

□ Applications

- ◇ Audio equipment, office equipment, etc.



Actual size

□ Products Line

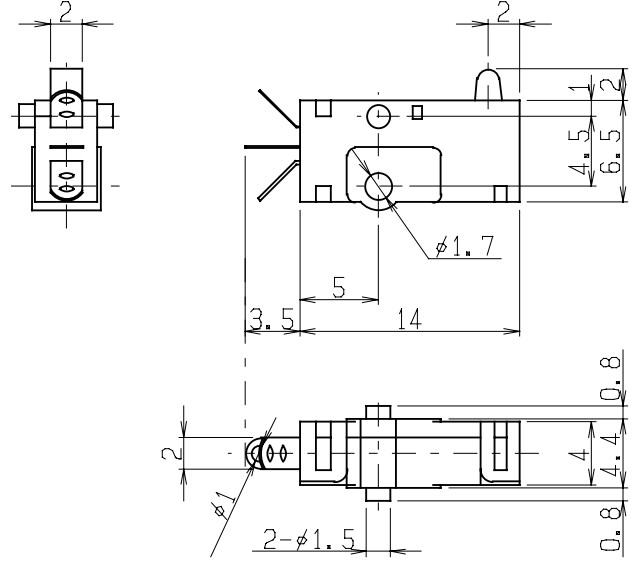
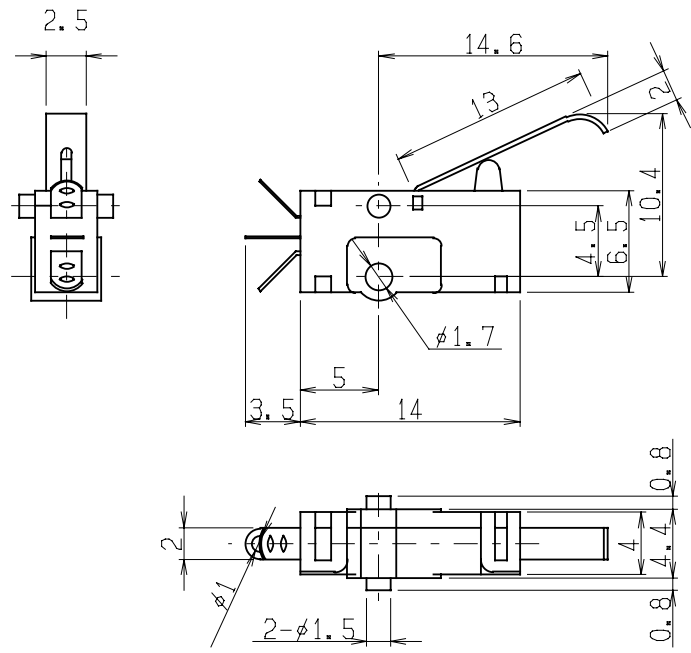
No	Products No	No. of circuits	No. of contacts	Circuit diagram
1	MQS-1	1	2	Transfer
2	MQS-1B	1	2	Transfer
3	MQS-2	1	1	Normally open
4	MQS-3	1	2	Transfer

□ Typical Specifications

Items	Specifications
Rating	2A 16V DC (resistive load)
Contact resistance	50 milliohm max
Insulation resistance	50 megohm min. 125V DC
Withstanding voltage	125V AC for 1min.
Electrical life	50,000 cycles

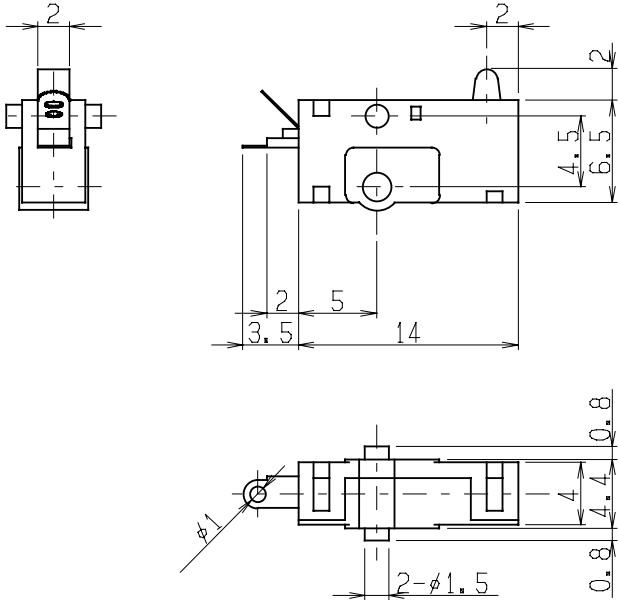
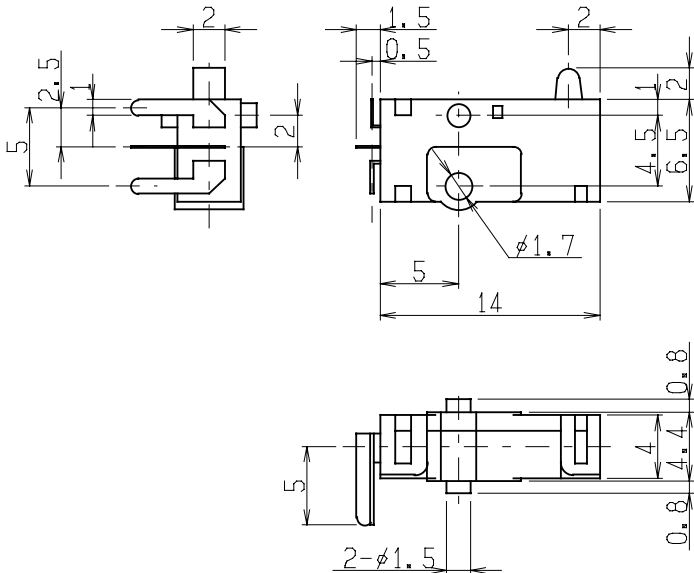
□ Dimensions

Unit : mm

No	Style	Operating characteristic	
1	<p>MQS-1</p> 	Operation Force	0.78 N MAX
		Return Force	0.05 N MIN
		Prior Transit	1.5 mm MAX
		Over Transit	0.5 mm MIN
		Movement Differential	1.0 mm MAX
2	<p>MQS-1B</p> 	Operation Force	0.39 N MAX
		Return Force	0.05 N MIN
		Prior Transit	---
		Over Transit	0.5 mm MIN
		Movement Differential	3.0 mm MAX

□ Dimensions

Unit : mm

No	Style	Operating characteristic	
3	<p>MQS-2</p>  <p>Technical drawings of the MQS-2 component. The top view shows a width of 2. The side view shows a total length of 14, with segments of 3.5, 2, and 5. A hole diameter is 4.5, and the total height is 6.5. The cross-sectional view shows a diameter of 1, a length of 4, and a diameter of 1.5 for the mounting holes. Other dimensions include 0.8, 4.4, and 0.8.</p>	Operation Force	0.78 N MAX
		Return Force	0.05 N MIN
		Prior Transit	1.2 mm MAX
		Over Transit	0.7 mm MIN
		Movement Differential	0.7 mm MAX
4	<p>MQS-3</p>  <p>Technical drawings of the MQS-3 component. The top view shows a width of 2 and a height of 2.5. The side view shows a total length of 14, with segments of 5, 1.5, and 0.5. A hole diameter is 1.7, and the total height is 6.5. The cross-sectional view shows a diameter of 1, a length of 4, and a diameter of 1.5 for the mounting holes. Other dimensions include 0.8, 4.4, and 0.8.</p>	Operation Force	0.78 N MAX
		Return Force	0.05 N MIN
		Prior Transit	1.5 mm MAX
		Over Transit	0.5 mm MIN
		Movement Differential	1.0 mm MAX

□ Notes

1. The appearance and specifications of the product may be modified without prior notice to improve its performance.
2. This catalog shows only outline specifications. When using the product, please obtain formal specifications.
3. Please see exhibit [Cautions in Using Switches].
4. This switch is not washable.
5. Care shall be taken not to attach flux on plastic portion.
6. Care shall be taken not to apply stress to the body of switch as it may affect the performance.
7. Please confirm the performance on actual operation by simulation with actual environment environments for high reliability.