

## Outdoor POE Series

## 1 Amp POE Injector Power Supply



### PRODUCT DESCRIPTION

The Outdoor POE Series are Power-over-Ethernet (PoE) power supplies with integral DC Injector. They provide 1 Amp of 48V or 55V DC power f10/100 Base-T transformers for connection to an IEEE 802.3 (10/100 Base-T) compatible device. An output RJ45 connector provides the 10/100 Base-T data and 55V or other voltages for connection to the wireless modem. These supplies feature an impact resistant polycarbonate enclosure with a 3-prong IEC-320 C14 inlet.

- 1 Amp of 48 or 55 VDC Power
- Universal AC Input
- Option for easy installation on wall
- Compact size – 160 x 63 x 32 mm
- High efficiency – free convection cooling
- Full output protection OCP, SC, OVP
- Meets FCC 15 & EN55022 class B requirements
- Operating temperature range -40°C to +70°C with no derating
- CE, UL & CSA ,CCC approved

### INPUT

|                  |                                |
|------------------|--------------------------------|
| AC Input Voltage | 90-264VAC, 47-63Hz             |
| Inrush Current   | <50A @ 250 VAC (Cold Start)    |
| Input Connector  | IEC-320 C14 (3-Prong)          |
| Hold-up Time     | > 10msec (Full Load & 100 VAC) |
| Efficiency       | 85% Minimum                    |

### OUTPUT

|                          |                                |
|--------------------------|--------------------------------|
| Regulation               | ± 2% max Line & Load           |
| Over-Voltage Protection  | 110-125% (recycle AC to reset) |
| Ripple @ Noise (V1)      | 1% pk-pk max (20MHz)           |
| Over Current Protection  | 115-150% (auto-recovery)       |
| Short Circuit Protection | Continuous                     |

### ENVIRONMENTAL

|                       |                      |
|-----------------------|----------------------|
| Operation Temperature | -40 ~ +70C Full Load |
| Storage Temperature   | -40 ~ +85C           |
| Cooling               | Convection           |
| Humidity              | <95% Non-Condensing  |

### ELECTROMAGNETIC COMPATIBILITY

|                         |  |
|-------------------------|--|
| Electrostatic Discharge | EN61000-4-2, ±8KV Contact / ±8KV Air         |
| Radiated Susceptibility | EN61000-4-3, 26-1000MHz, 10V/M, 80% AM       |
| EFT / Bursts            | EN61000-4-4, ±2KV                            |
| Surges                  | EN61000-4-5, ±2KV Line-Earth, ±1KV Line-Line |
| Conducted Immunity      | EN61000-4-6, 0.15-800MHz, 10V, 80% AM        |
| Voltage Dips            | EN61000-4-11, 95%Dip&10ms, 30%Dip&500ms      |
| Voltage Interruptions   | EN61000-4-11, 95% Reduction, 5s              |
| Fluctuations & Flicker  | EN61000-3-3                                  |
| Harmonics               | EN61000-3-2 Level A                          |

### SAFETY & EMISSIONS

|                  |  |
|------------------|--|
| Safety Approvals | UL/cUL 60950, EN60950, CE Mark (LVD)<br>AS/NZS 3260  |
| EN55022          | Class B Rated  |
| ETSI             | EN 301 489-1, V1.4.1 (2002-08)<br>EN301489-4 V1.3.1 (2002-08)<br>EN301-489-17 V1.2.1 (2008-08) |

## Outdoor POE Series

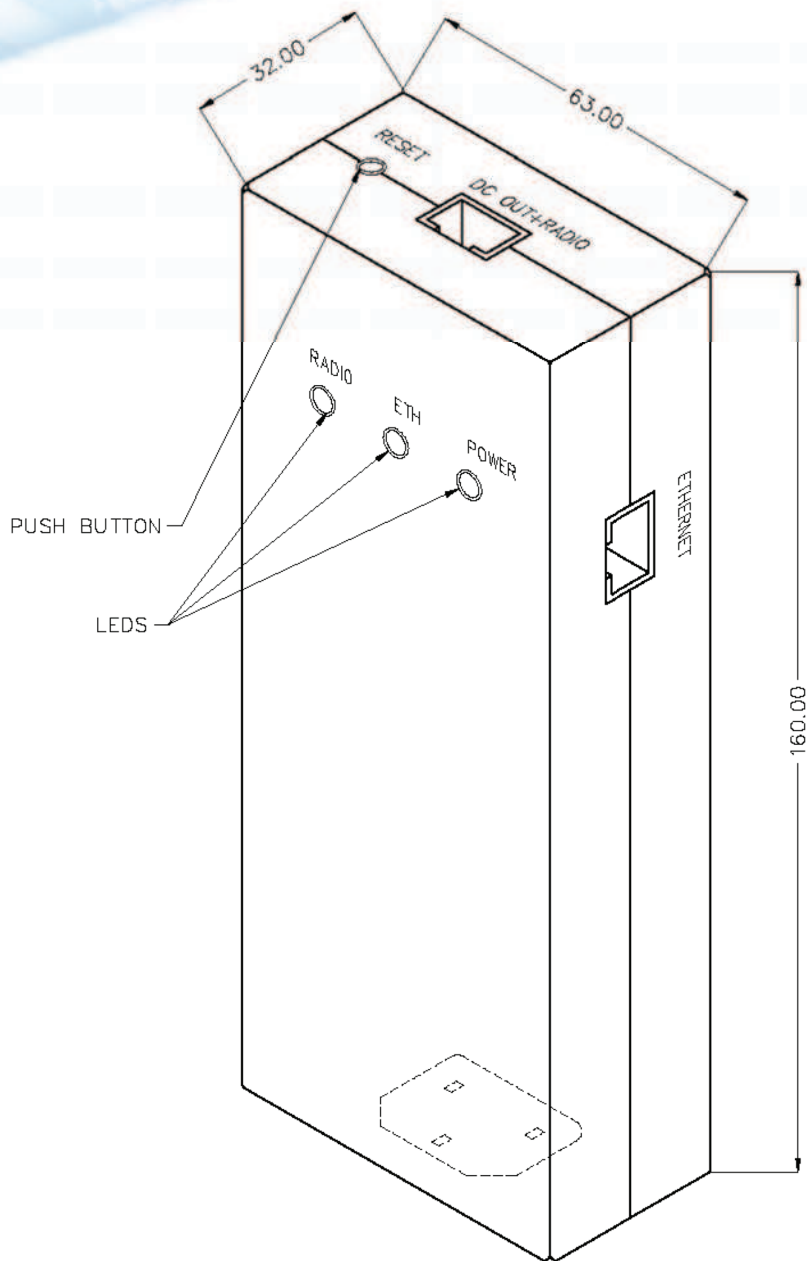
### 1 Amp POE Injector Power Supply

#### Power Modules

| Model     | Input     | Output Power | Output Voltage | Output Current |
|-----------|-----------|--------------|----------------|----------------|
| 0525B4848 | 90-264VAC | 48 Watts     | 48V            | 1.00A          |
| 0525B5555 | 90-264VAC | 55 Watts     | 55V            | 1.00A          |

#### Outputs Connection

|             |                |
|-------------|----------------|
| RADIO-RJ-45 | Ethernet RJ-45 |
| Pin 1, Data | Pin 1, Data    |
| Pin 2, Data | Pin 2, Data    |
| Pin 3, Data | Pin 3, Data    |
| Pin 4, +48V | Pin 4, N.C     |
| Pin 5, -48V | Pin 5, N.C     |
| Pin 6, Data | Pin 6, Data    |
| Pin 7, +48V | Pin 7, N.C     |
| Pin 8, -48V | Pin 8, N.C     |



Revision A: 01/29/09 All specifications subject to change. Please consult Digital Power for latest specifications.

**Digital Power**

NORTH AMERICA / ASIA  
www.digipwr.com

Digital Power Corporation  
41324 Christy Street  
Fremont, CA 94538, USA

Phone (510) 657 2635  
Fax (510) 657 6634  
sales@digipwr.com

GRESHAM POWER  
UK / EUROPE  
www.greshampower.com

TELKOOR POWER  
ISRAEL  
www.telkoor.com