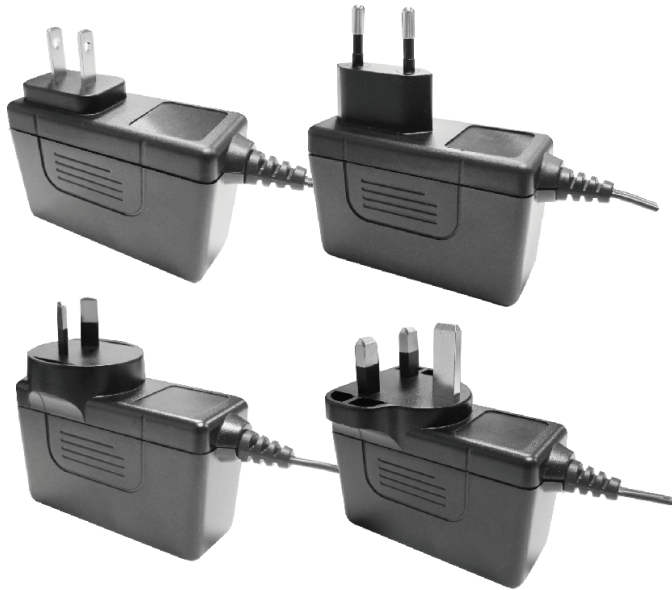


## GMPU18W SERIES:



### Features:

- Universal AC Input (90~264 VAC Input Range)
- Over Voltage / Current / Temperature Protection Circuits
- International Safety Approvals for Medical Applications
- No Load Power Consumption <0.3W
- Meets Level V Efficiency Standards
- Meets IEC60601-1-11 MOP (Health Care Applications)
- Risk Analysis Report available
- Class B Emissions
- 2 Year Warranty

### INPUT:

|                  |                                 |
|------------------|---------------------------------|
| Input Voltage    | 90~264 VAC (Universal AC Input) |
| Input Frequency  | 47-63Hz                         |
| Inrush Current   | 50A @ 230 VAC (Max Cold Start)  |
| Input Current    | 450mA maximum                   |
| Input Protection | Dual Fuse                       |
| Hold-Up Time     | 10ms Minimum                    |
| Leakage Current  | 100µA @ 240 VAC Maximum         |
| Harmonics        | EN61000-3-2 Compliant           |

### GENERAL:

|                       |  |
|-----------------------|--|
| Efficiency            | 76-85% minimum (depending on output model)           |
| Operating Temperature | 0-40°C, derate linearly to 50% Load at 50°C          |
| Storage Temperature   | -40°C to +70°C                                       |
| Cooling               | Convection Cooled                                    |
| Operating Humidity    | 5-95% RH, Non-Condensing                             |
| Vibration             | 5 ~ 50 Hz, acceleration 7.35 m/s*s on X,Y and Z Axis |
| MTBF                  | >100k Hrs at 25°C Full load                          |

### OUTPUT:

|                     |   |
|---------------------|---|
| Minimum Load        | n/a   |
| Line Regulation     | ±1% max                                     |
| Load Regulation     | ±5% max                                     |
| Ripple & Noise      | 80-240mV. pk-pk (depending on output model) |
| Overload Protection | Auto-Recovery                               |
| Over Voltage        | 115~150% of nominal (latching)              |

### EMC:

|                         |  |
|-------------------------|--|
| Electrostatic Discharge | EN61000-4-2, ±4KV Contact / ±8KV Air Discharge |
| Radiated Susceptibility | EN61000-4-3, 26-1000MHz, 10V/M, 80% AM         |
| EFT / Bursts            | EN61000-4-4, ±2KV                              |
| Surges                  | EN61000-4-5, ±2KV Line-Earth, ±1KV Line-Line   |
| Conducted Immunity      | EN61000-4-6, 0.15-800MHz, 10V, 80% AM          |
| Voltage Dips            | EN61000-4-100, 95% Dip & 10ms, 30% Dip & 500ms |
| Voltage Interruptions   | EN61000-4-11, 95% reduction, 5s                |
| Fluctuations & Flicker  | EN61000-3-3                                    |

### APPROVALS:

Emissions EN55011 Class B

Safety Approvals UL:EN60601-1: 2005  
 CSA: C22.2 NO.60601-1:2008  
 EN60601-1:2006  
 CE Mark (LVD)



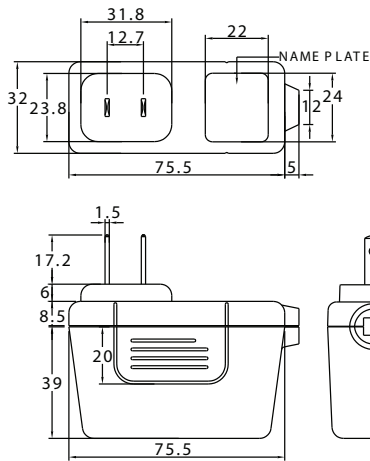
## GMPU18W SERIES:

### Output Specifications:

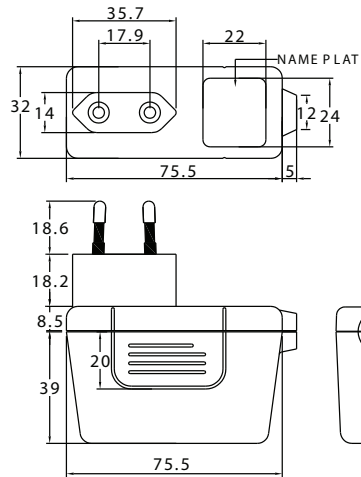
| Model:           | Vout | Factory Setpoint Range | Max Output Current | Max Ripple | Efficiency |
|------------------|------|------------------------|--------------------|------------|------------|
| GMPU18x-1-5V     | 5V   | 5 ~ 6V                 | 3000mA             | 80mV       | 76.4%      |
| GMPU18x-1-1-7.5V | 7.5V | 6 ~ 8V                 | 2000mA             | 80mV       | 79.2%      |
| GMPU18x-2-9V     | 9V   | 8 ~ 11V                | 2000mA             | 80mV       | 80.3%      |
| GMPU18x-3-12V    | 12V  | 11 ~ 13V               | 1500mA             | 120mV      | 85.1%      |
| GMPU18x-4-15V    | 15V  | 13 ~ 16V               | 1200mA             | 120mV      | 85.1%      |
| GMPU18x-5-19V    | 19V  | 16 ~ 21V               | 947mA              | 120mV      | 85.1%      |
| GMPU18x-6-24V    | 24V  | 21 ~ 27V               | 750mA              | 120mV      | 85.1%      |
| GMPU18x-7-28V    | 28V  | 27 ~ 33V               | 642mA              | 240mV      | 85.1%      |
| GMPU18x-8-48V    | 48V  | 33 ~ 58V               | 375mA              | 240mV      | 85.1%      |

- Consult Factory for any unique voltage requirement
- Designate IEC-320 inlet by replacing "x" with: U = 2-Pin American    E = European    SA = 2-Pin Australian    BS = UK type
- Additional suffix to designate output connector is required, see connector options at <http://advpower.com/dcconnector.pdf>
- Weight: Approx 130-140g
- Level V Standard Output cable lengths: 5~12V: 22AWG / UL2468 / 4FT. 12~24V: 24AWG / UL2468 / 6FT

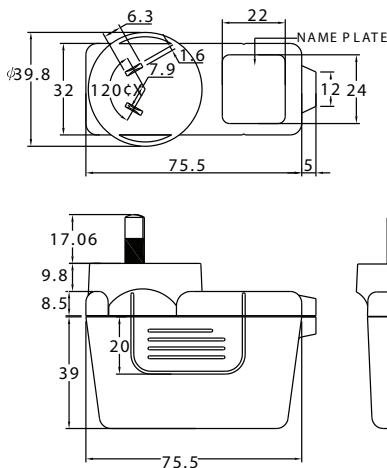
#### U = North American Wallmount Package



#### E = European Wallmount Package



#### SA = 2-Pin Australian Wallmount Package



#### BS = UK Wallmount Package

