

GMPU06 SERIES:



6 Watts / Single Output

- 2.60 x 1.89 x 1.26" North American Wallmount Package
- 2.60 x 42 x 1.26" European Wallmount Package
- 2.94 x 1.33 x 2.38" Australian Wallmount Package
- 2.83 x 1.32 x 2.28" UK Wallmount Package

Features:

- Universal AC Input (90~264 VAC Input Range)
- Over Voltage / Current / Temperature Protection Circuits
- International Safety Approvals for Medical Applications
- No Load Power Consumption <0.3W
- Meets Level V Efficiency Standards
- Meets IEC60601-1-11 MOP (Health Care Applications)
- Risk Analysis Report available
- Class B Emissions
- 2 Year Warranty

INPUT:

| | |
|------------------|---------------------------------|
| Input Voltage | 90~264 VAC (Universal AC Input) |
| Input Frequency | 47-63Hz |
| Inrush Current | 30A @ 230 VAC (Max Cold Start) |
| Input Current | 180mA maximum |
| Input Protection | Dual Fuse |
| Hold-Up Time | 8ms Minimum |
| Leakage Current | 100µA @ 240 VAC Maximum |
| Harmonics | EN61000-3-2 Compliant |

GENERAL:

| | |
|-----------------------|--|
| Efficiency | 68-74% minimum (depending on output model) |
| Operating Temperature | 0-40°C, derate linearly to 50% Load at 50°C |
| Storage Temperature | -40°C to +70°C |
| Cooling | Convection Cooled |
| Operating Humidity | 5-95% RH, Non-Condensing |
| Vibration | 5 ~ 50 Hz, acceleration 7.35 m/s*s on X,Y and Z Axis |
| MTBF | >100k Hrs at 25°C Full load |

OUTPUT:

| | |
|---------------------|---|
| Minimum Load | n/a |
| Line Regulation | ±1% max |
| Load Regulation | ±5% max |
| Ripple & Noise | 80-200mV. pk-pk (depending on output model) |
| Overload Protection | Auto-Recovery |
| Over Voltage | 115~150% of nominal (latching) |

EMC:

| | |
|-------------------------|--|
| Electrostatic Discharge | EN61000-4-2, ±4KV Contact / ±8KV Air Discharge |
| Radiated Susceptibility | EN61000-4-3, 26-1000MHz, 10V/M, 80% AM |
| EFT / Bursts | EN61000-4-4, ±2KV |
| Surges | EN61000-4-5, ±2KV Line-Earth, ±1KV Line-Line |
| Conducted Immunity | EN61000-4-6, 0.15-800MHz, 10V, 80% AM |
| Voltage Dips | EN61000-4-100, 95% Dip & 10ms, 30% Dip & 500ms |
| Voltage Interruptions | EN61000-4-11, 95% reduction, 5s |
| Fluctuations & Flicker | EN61000-3-3 |

APPROVALS:

Emissions EN55011 Class B

Safety Approvals UL:EN60601-1: 2005
 CSA: C22.2 NO.60601-1:2008
 EN60601-1:2006
 CE Mark (LVD)



GMPU06 SERIES:

Output Specifications:

| Model: | Vout | Factory Setpoint Range | Max Output Current | Max Ripple | Efficiency |
|------------------|------|------------------------|--------------------|------------|------------|
| GMPU06x-11-5V | 5V | - | 1200mA | 80mV | 68.2% |
| GMPU06x-1-6V | 6V | 5 ~ 6V | 1000mA | 80mV | 69.5% |
| GMPU06x-1-1-7.5V | 7.5V | 6 ~ 8V | 800mA | 80mV | 74% |
| GMPU06x-2-9V | 9V | 8 ~ 11V | 667mA | 80mV | 74% |
| GMPU06x-3-12V | 12V | 11 ~ 13V | 500mA | 120mV | 74% |
| GMPU06x-4-15V | 15V | 13 ~ 16V | 400mA | 120mV | 74% |
| GMPU06x-5-19V | 19V | 16 ~ 21V | 316mA | 120mV | 74% |
| GMPU06x-6-24V | 24V | 21 ~ 24V | 250mA | 120mV | 74% |

- Consult Factory for any unique voltage requirement
- Designate wallmount package by replacing "x" with:

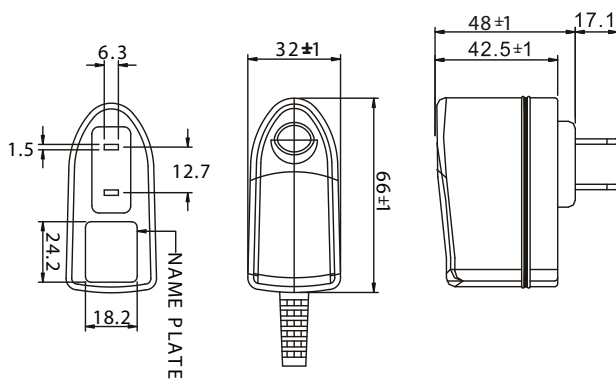
U = North American
E = European

S = 3 Pin
BS = UK

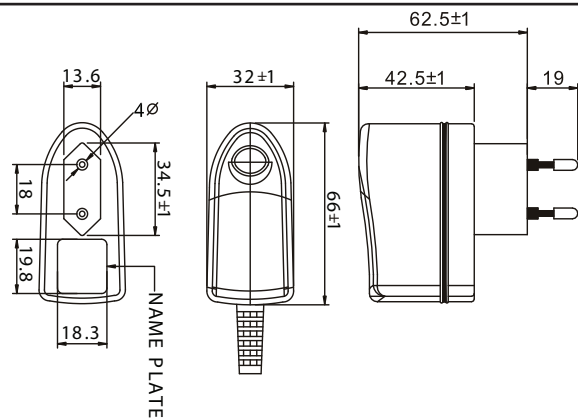
SA = 2 Pin Australian

- Additional suffix to designate output connector is required, see connector options at <http://advpower.com/dcconnector.pdf>
- Weight: Approx 70~100g
- Level V Standard Output cable lengths, 5~12V: 22AWG / UL2468 / 4FT. 12~24V: 24AWG / UL2468 / 6FT

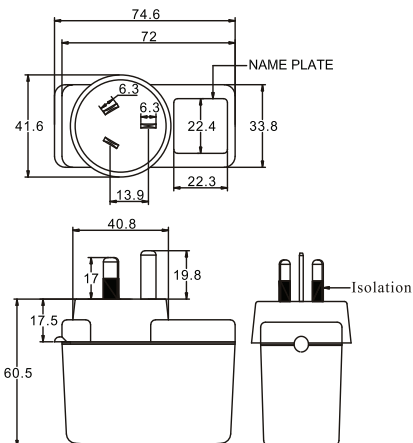
U = North American Wallmount Package



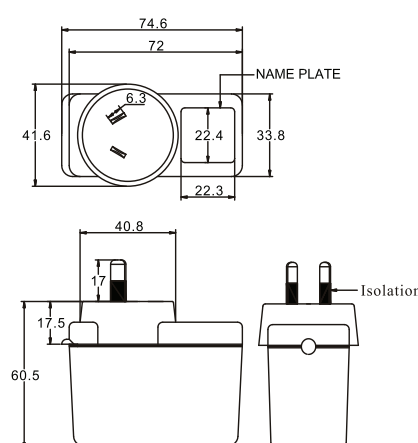
E = European Wallmount Package



S = 3-Pin Australian Wallmount Package



SA = 2-Pin Australian Wallmount Package



BS = UK Wallmount Package

