

Size: 3.54 x 1.97 x 0.93"

Input

Input Voltage 90-264 VAC
 Input Frequency 47-63Hz
 Inrush Current 26A Max @ 230 VAC Cold Start
 Input Current 0.3A @ 115 VAC / 0.15A @ 230 VAC Typical
 Hold-Up Time 10ms @ 115 VAC / 40ms @ 230 VAC Full Load
 Leakage Current <250 μ A @ 230 VAC

Features:

- * Universal AC Input (90-264 VAC)
- * Small Open Frame Package
- * Worldwide Safety Approvals
- * EN55022 & FCC Class B Emissions
- * CE Mark

General

Efficiency 70-80% Typ.
 Switching Frequency 40KHz
 Operating Temperature 0 to 50°C full load, derate 2.5% per °C to 70°C max.
 Storage Temperature -20°C to +85°C
 Cooling Free Air Convection
 Temp Co-Efficient 0.04% per °C
 Topology Fixed Frequency Flyback

Output

Minimum Load 20% of V1 on Dual Output Models only
 Line Regulation $\pm 0.1\%$ typ.
 Load Regulation V1 = $\pm 2\%$ typ. / V2 = $\pm 5\%$ typ
 Ripple & Noise $\pm 1\%$ typ. pk-pk @ 20MHz
 Overload Protection Consult factory for OLP setpoint
 OverVoltage Protection V1 Zener Diode
 Adjustment V1 only, $\pm 10\%$
 Transient Response voltage returns < 3mS following a 25% load change

EMC & Safety

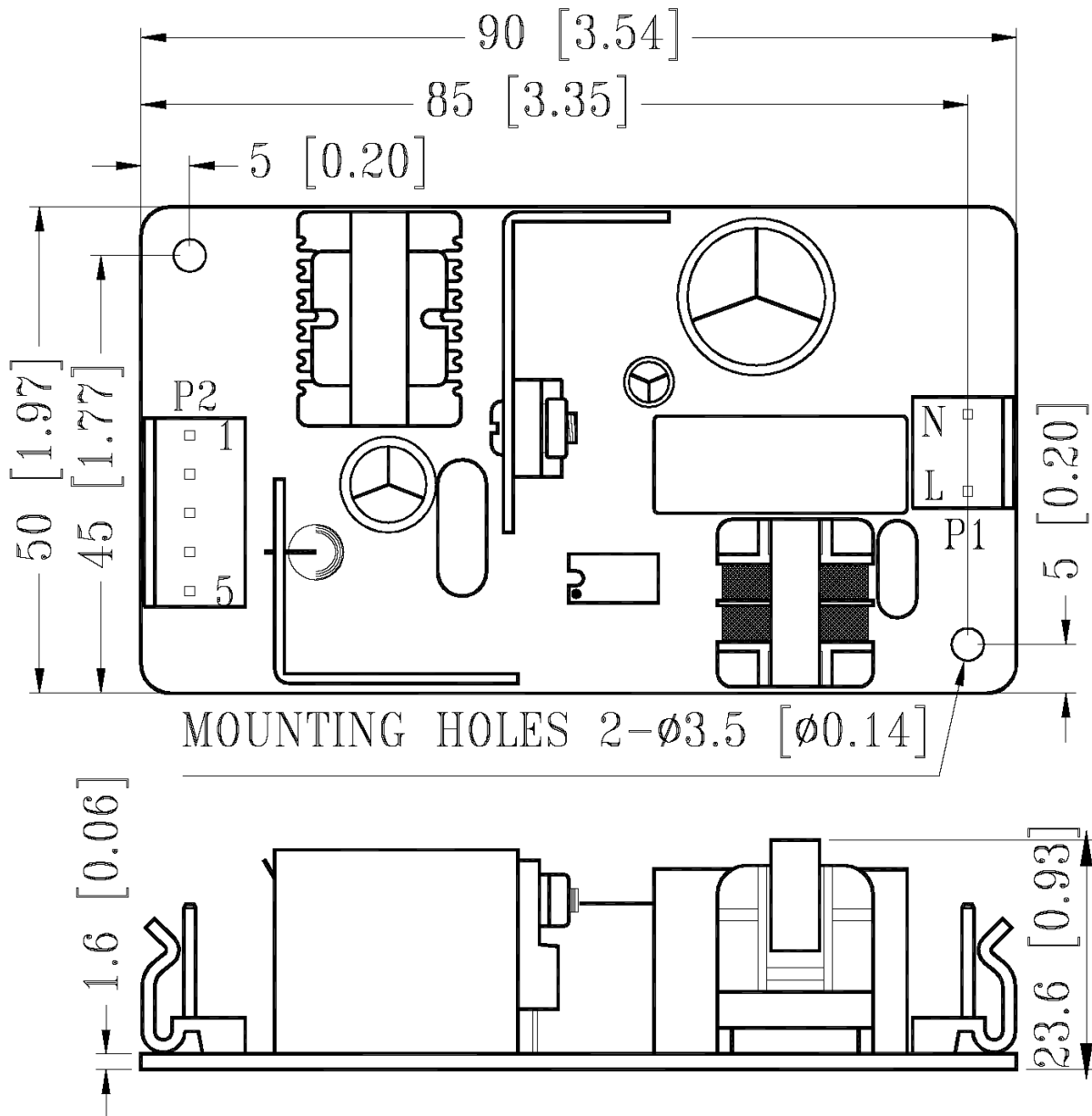
Emissions EN55022 "B", FCC Class B

Safety Approvals UL/cUL 1950
 TUV EN60950
 CE Mark (LVD)

**Model Number****Outputs**

APS13VI-033030	3.3V @ 3.0A
APS13VI-050028	5.0V @ 2.8A
APS13VI-012012	12.0V @ 1.2A
APS13VI-015010	15.0V @ 1.0 A
APS13VI-024006	24.0V @ 0.6A
APS13VI-048003	48.0v @ 0.3A
APS13VID-033I	+3.3V @ 2.5A / +12V @ 0.4A
APS13VID-033K	+3.3V @ 2.5A / +15V @ 0.3A
APS13VID-033M	+3.3V @ 2.5A / +24V @ 0.2A
APS13VID-050I	+5.0V @ 2.0A / +12V @ 0.4A
APS13VID-050K	+5.0V @ 2.0A / +15V @ 0.3A
APS13VID-050M	+5.0V @ 2.0A / +24V @ 0.2A

Mechanical Details



Notes

WEIGHT: 62g (2.19Oz)

INPUT & OUTPUT CONNECTORS PIN ASSIGNMENT:

SINGLE OUTPUT MODELS: AC LINE = P1-L / AC NEUTRAL = P1-N / V1 = P2 - 3&4 / COM = P2 - 1 & 2
 DUAL OUTPUT MODELS: AC LINE = P1-L / AC NEUTRAL = P1-N / V1 = P2 - 3&4 / V2 = P2 - 5 / COM = P2 - 1 & 2

P2-3,4 P2-5 P2-1,2 Mating connector: Molex 5264-N/JST XHP-8 or equivalent.