

# B1232 series

**Size: (120 x 120 x 32 mm)  
4.7 x 4.7 x 1.24 inches**

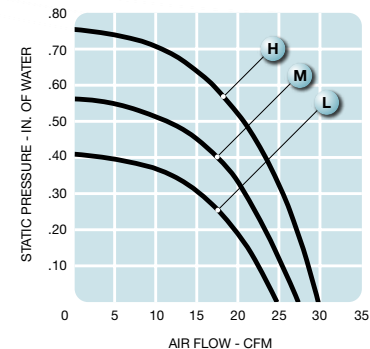
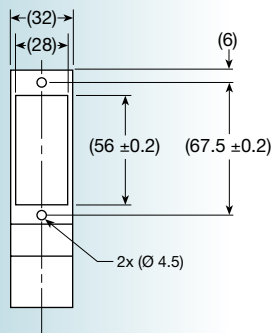
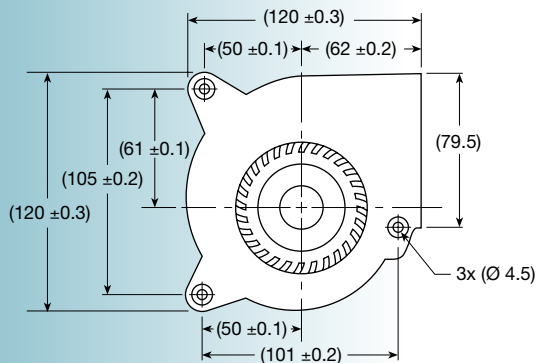
**Construction:** UL94V-0 PBT impeller & frame

**Bearing option:** ball bearing or sleeve

**Connection:** AWG 24, UL1007 lead wires

**Protection:** thermal

**Options:** tachometer output or locked rotor alarm signal



Model No.	Rated Voltage V	Current mA		Revolution RPM	Air Volume		Max. Static Pressure (H <sub>2</sub> O)		Sound Noise dbA	Weight oz
		12	24		M <sup>3</sup> /Min.	CFM	MM	INCH		
<b>B1232L</b>	12/24	360	180	2,100	0.70	25	10.25	0.41	44	7.42
<b>B1232M</b>	12/24	550	330	2,400	0.76	27	14.00	0.56	47	7.42
<b>B1232H</b>	12/24	800	480	2,800	0.84	30	19.00	0.76	51	7.42