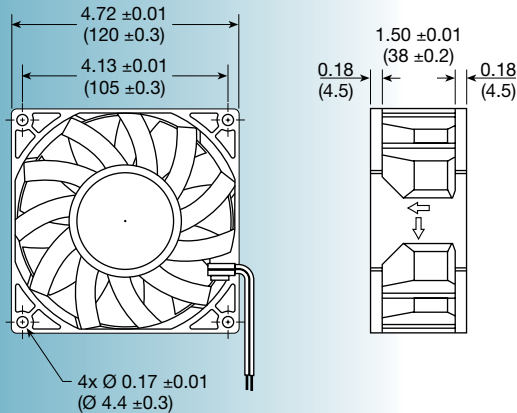
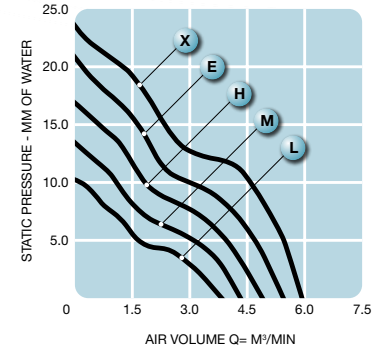


ULTRA-HIGH PERFORMANCE MD1238 series



**Size: (120 x 120 x 38 mm)
4.72 x 4.72 x 1.5 inches**

- Features:** *high performance design*
Construction: UL94V-0 PBT impeller & frame
Bearing option: ball bearing
Connection: AWG 24,1007 lead wires
Frame: reinforced flanged design
Protection: thermal
Options: tachometer output or locked rotor alarm



Operating temperature range: -10°C ~ 60°C

Model No.	Rated Voltage V	Current mA			Revolution RPM	Air Volume		Max. Static Pressure (H ₂ O)		Sound Noise dbA	Weight g
		12	24	48		M³/Min.	CFM	MM	INCH		
MD1238L	12/24	850	480	-	3,000	3.90	137	10.4	0.42	52.0	411
MD1238M	12/24	1200	660	-	3,400	4.42	155	13.4	0.54	54.5	411
MD1238H	12/24	1600	800	-	3,800	4.92	174	16.7	0.67	57.8	411
MD1238E	12/24/48	2100	1100	460	4,200	5.43	192	20.4	0.82	59.0	411
MD1238X	12/24/48	2500	1300	850	4,500	5.82	205	23.4	0.94	62.0	411