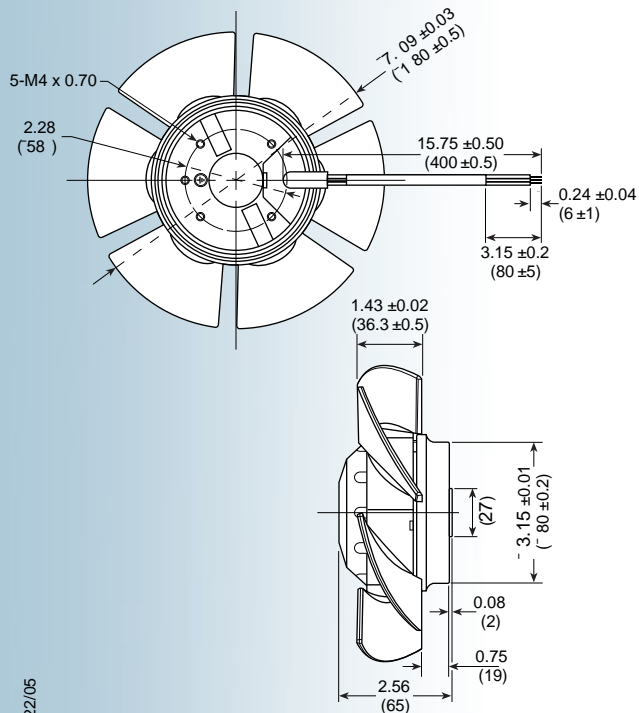


UF180BAB Series



Size: (180 dia x 65 mm)
7.09 dia x 2.56 inches

Features: forward curved impeller

Operating voltage (VAC): 115 or 230

Construction: aluminum die cast motor base
aluminum impeller

Bearing option: motor quality ball bearings

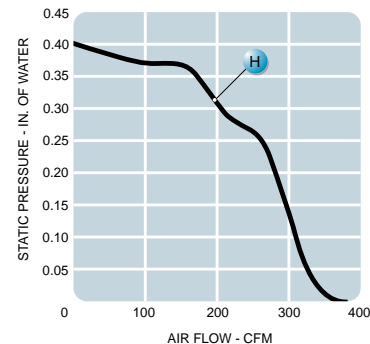
Motor: 2 pole permanent split capacitor,
single phase

Air flow: axial

Connection: 22 AWG lead wires; nom. 14 inches

Protection: thermal

Insulation: Class B



| Model No. | Rated Voltage V | Freq. HZ | Input Power W | Rated Cur. A | Locked Speed Cur. A | Speed RPM | Air Volume | | Max Static Pressure (H) | | Sound Noise dB | Wt LBS |
|---------------------|--------------------|-------------|------------------|-----------------|------------------------|--------------|---------------------|------|-------------------------|------|-------------------|-----------|
| | | | | | | | M ³ /Min | CFM | MM | INCH | | |
| UF180BAB12-HC2-A115 | 60 | 75 | 0.71 | 1.23 | 3,100 | 11 | 388 | 10.1 | 0.4 | 65 | 2.6 | |
| UF180BAB23-HC2-A230 | 60 | 75 | 0.40 | 0.54 | 3,100 | 11 | 388 | 10.1 | 0.4 | 65 | 2.6 | |