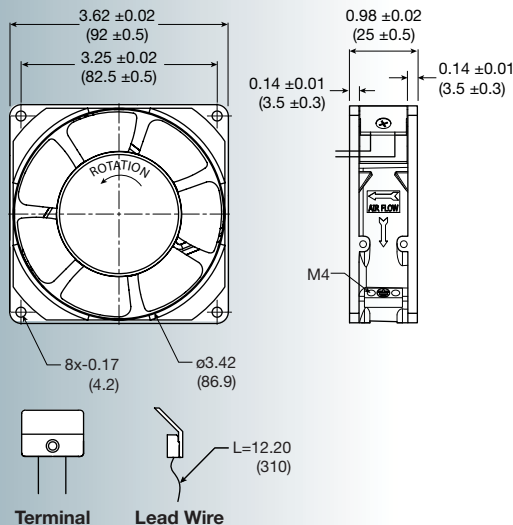


LPC92B series



Size: (92 x 92 x 25mm)
3.62 x 3.62 x 0.98 inches

Features: low power consumption, global input voltage

Operating voltage (VAC): 90 ~ 264 VAC

Construction: magnesium die cast frame with UL94V-0 plastic impeller

Bearing option: motor quality ball bearings

Motor: electronically commutated

Air flow: air exhaust over struts

Connection: terminal type or lead wire

Model No.	Rated Voltage V	Freq. HZ	Input Power W	Speed RPM	Air Volume		Max. Static Pressure (H ₂ O)		Sound Noise dbA	Weight g
					M ³ /Min.	CFM	MM	INCH		
LPC92B99-__L	90 ~ 264	50/60	4.0	3,000	1.4	48	4.8	0.19	35	181
LPC92B99-__M	90 ~ 264	50/60	4.5	3,500	1.5	53	5.8	0.23	39	181
LPC92B99-__H	90 ~ 264	50/60	5.5	4,000	1.6	58	6.5	0.26	43	181