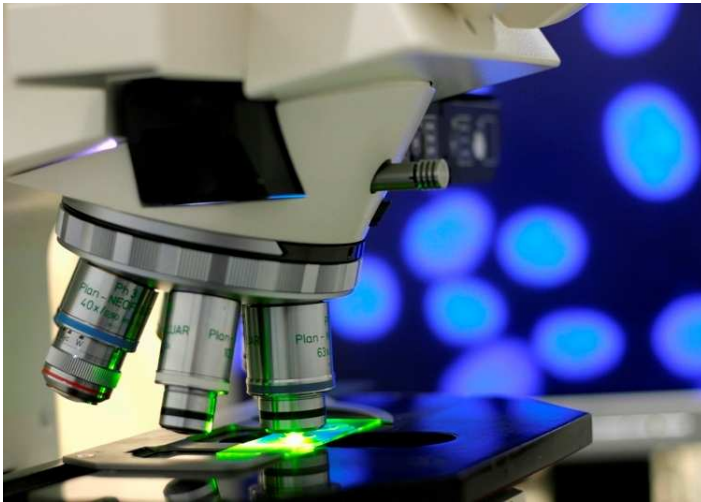


Product Bulletin

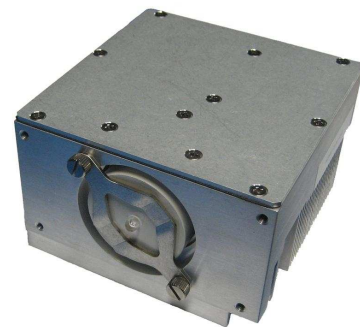
LIFI® INT 30 Series

Optimized Lighting Solutions for Instrument Lighting



- 2800 lumens into a 5 mm fiber
- Continuous spectrum with 95 CRI
- Useful lifetime 5-10 times longer than conventional Xenon lamps
- Ultra low flicker
- Dimming and control
- Less than 2% mercury as HID lamps
- UVA output for UV imaging
- Reliable and safe

Ideal for Fluorescence
Microscopy, Endoscopy,
Medical Lighting, Inspection
and Machine Vision

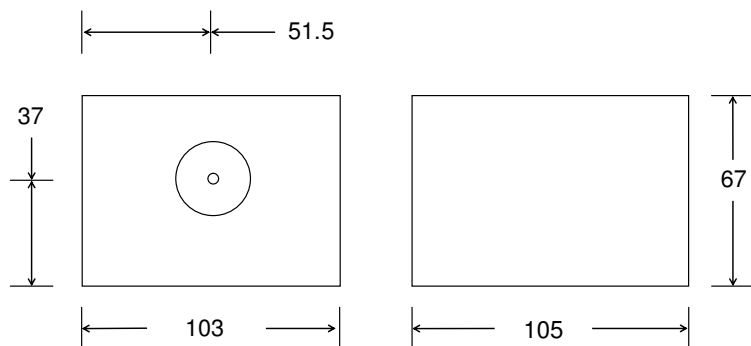


LIFI® INT 30 Series Products
 Typical Product Data at-a-Glance

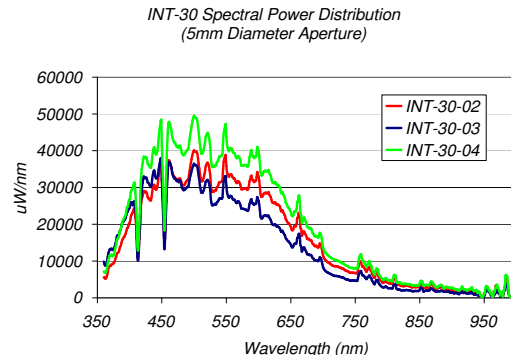
Part Description	LIFI® light source	LIFI® light source	LIFI® light source
Ordering Codes	LIFI-INT-30-02	LIFI-INT-30-03	LIFI-INT-30-04
Enclosure L x W x H (mm) ¹	105 x 103 x 67	105 x 103 x 67	105 x 103 x 67
Rated Average Life (hrs.) ²	10000	10000	10000
Total Initial Lumens ³	2260	1950	2800
Turn-on time (sec.)	10	10	10
CCT (kelvins)	6400	7650	6500
CRI	95	95	95
Dimming Range (%)	20-100	20-100	20-100
Max. Power (Watts)	238	238	238
DC Input Voltage	28	28	28
Input Current (A)	8.5	8.5	8.5

¹ Without optics attachment
² Defined as time to 50% of original brightness
³ Measured through 5 mm diameter circular aperture in focused condition

LIFI® Dimensions (mm)



Spectral Power Distribution



LUXIM® Corporation
 1171 Borregas Avenue
 Sunnyvale, CA 94089
 tel: +1-408-734-1096
 email: info@LUXIM.com
www.LUXIM.com • www.LIFI.com