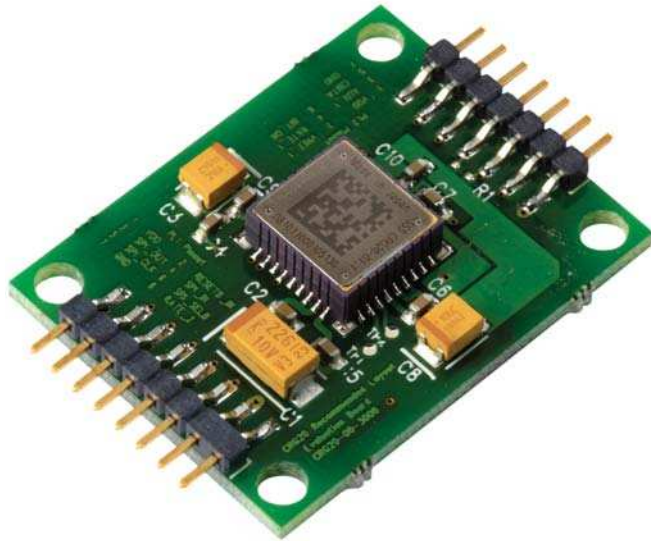


# CRG20

## Angular Rate Sensor Evaluation Boards



CRG20 is a single axis MEMS angular rate sensor. The attractive cost/performance ratio makes these gyros attractive to a variety of different applications where space and cost are a premium. CRG20 gyros are supplied in a PCBA surface mountable 36-pad LCC package and are intended to be integrated into a user's own electronics.

To aid with product assessment and integration Silicon Sensing have a development board available for the designers to easily connect and access the data.

The CRG20 evaluation boards are available for the standard -01, -02, -12 and -22 variants of the gyro.

Part Number:	CRG20-xx-0300 xx is the variants required
CRG20 part mounted:	CRG20-01 or CRG20-02 or CRG20-12 or CRG20-22
Size:	21mm x 40.4mm (including pins)
Power Supply:	+5V and 0V
Analogue Outputs:	Yes
Digital Output:	Yes via SPI® interface
Optional:	USB interface kit

The boards are not intended to be used as an integral part of a system. They are available purely for evaluation and assessment purposes.

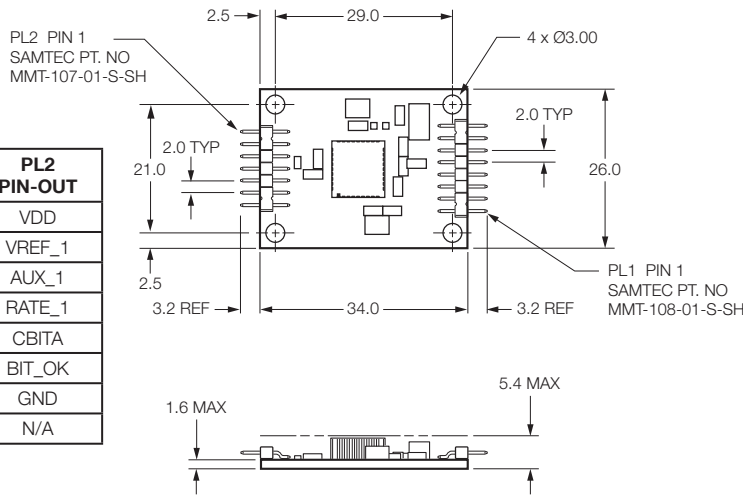
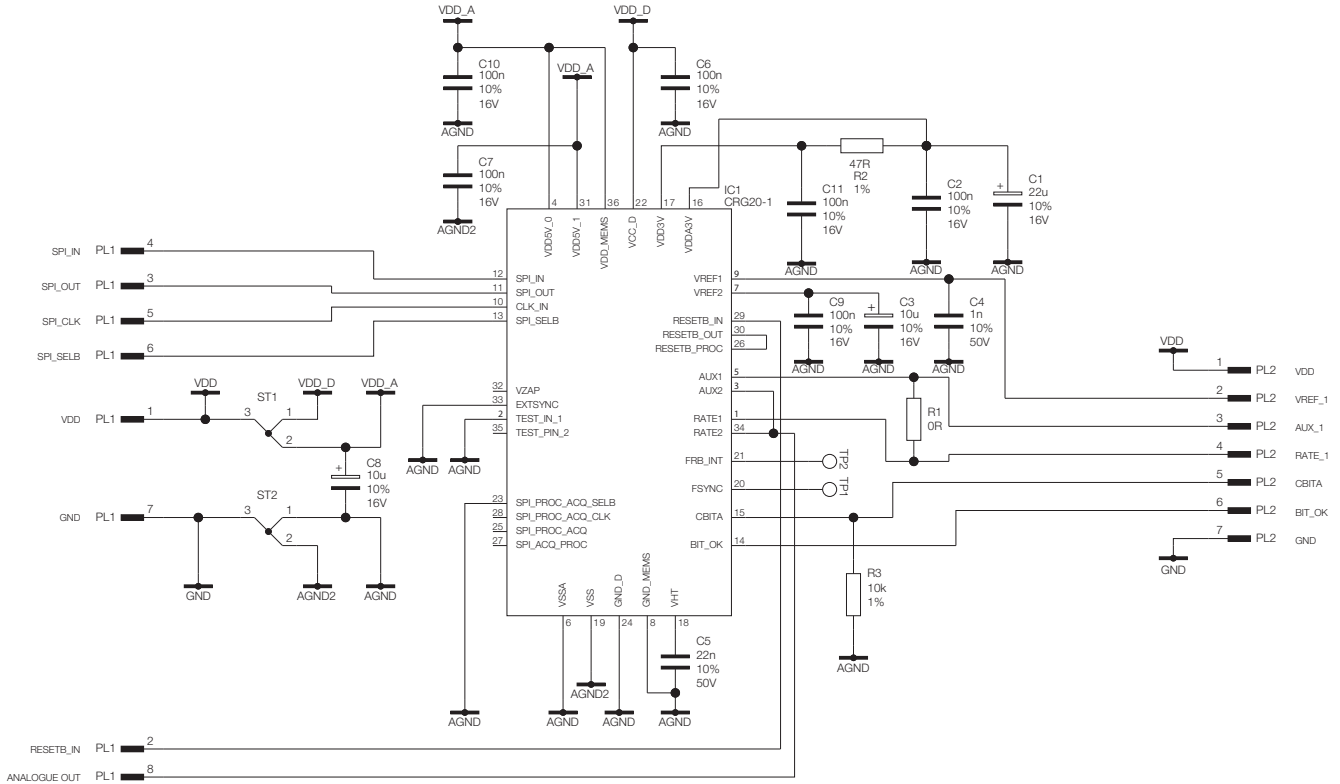


# CRG20

## Angular Rate Sensor Evaluation Boards



CRG20 Evaluation Board Schematic



PIN No.	PL1 PIN-OUT	PL2 PIN-OUT
1	VDD	VDD
2	RESETB_IN	VREF_1
3	SPI_OUT	AUX_1
4	SPI_IN	RATE_1
5	SPI_CLK	CBITA
6	SPI_SELB	BIT_OK
7	GND	GND
8	RATE2	N/A

Silicon Sensing Systems Limited  
Cliffatford Road, Southway,  
Plymouth, Devon  
PL6 6DE United Kingdom

T +44 (0)1752 723330  
F +44 (0)1752 723331  
E sales@siliconsensing.com  
W siliconsensing.com

Silicon Sensing Systems Japan Limited  
1-10 Fuso-Cho,  
Amagasaki,  
Hyogo 6600891, Japan

T +81 (0)6 6489 5868  
F +81 (0)6 6489 5919  
E sssj@spp.co.jp  
W siliconsensing.com

Specification subject to change without notice.

© Copyright 2013  
Silicon Sensing Systems Limited  
All rights reserved. Printed in England 07/13

CRG20-00-0300-131 Rev 1  
DCR No. 710005026

Available to purchase online at [www.siliconsensing.com](http://www.siliconsensing.com)

Ordering Part Number	Description
CRS20-01-0300	CRS20-01 mounted on evaluation board as described above
CRS20-02-0300	CRS20-02 mounted on evaluation board as described above
CRS20-12-0300	CRS20-12 mounted on evaluation board as described above
CRS20-22-0300	CRS20-22 mounted on evaluation board as described above