

[Click Here To Buy Now From The Y.S. Tech USA Online Store](#)



120x120x32mm

- **Airflow:** 83.3~137.0 CFM
- **Static Pressure:** 4.3~9.4 mm-H₂O
- **Blade / Housing:** Plastic Material UL 94V-0 P.B.T.
- **Lead Wire:** UL1007 #22 AWG
- **Weight:** 219 g

DC AXIAL FAN

DC BLOWER

Model No.	Bearing	Rated Voltage	Operating Voltage Range	Speed	Max. Airflow	Max. Static Pressure	Current	Power Consumption	Life at 40°C L10	P-Q Curve	Noise Level
		VDC	VDC	RPM	CFM	mm-H ₂ O	mA	W	Hour		dB(A)
YW12032012BL	2B	12	7~13.2	2100	87.7	4.2	330	3.96	80000	4	39.0
YW12032012BM	2B		7~13.2	2500	99.3	6.1	450	5.40	80000	3	42.5
YW12032012BH	2B		7~13.2	2900	115.0	8.0	580	6.96	75000	2	47.5
YW12032012BS	2B		7~13.2	3300	137.3	9.4	840	10.08	65000	1	49.0
YW12032024BL	2B	24	12~26.4	2100	87.7	4.2	150	3.60	80000	4	39.0
YW12032024BM	2B		12~26.4	2500	99.3	6.1	200	4.80	80000	3	42.5
YW12032024BH	2B		12~26.4	2900	115.0	8.0	290	6.96	75000	2	47.5
YW12032024BS	2B		12~26.4	3300	137.3	9.4	400	9.60	65000	1	49.0
YW12032048BL	2B	48	24~56.0	2100	83.3	4.3	90	4.32	80000	4	39.5
YW12032048BM	2B		24~56.0	2500	99.3	6.1	130	6.24	80000	3	42.5
YW12032048BH	2B		24~56.0	2900	115.0	8.0	190	9.12	75000	2	47.0
YW12032048BS	2B		24~56.0	3300	137.3	9.4	260	12.96	65000	1	49.0

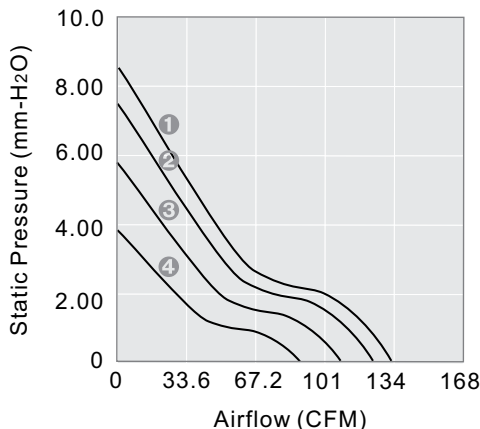
2B: 2-ball bearing L: sintetico bearing S: sleeve bearing

Voltage Available
 05 12 24 48

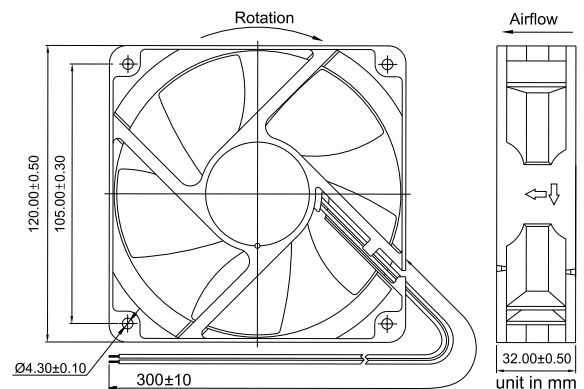
Bearing System Available
 2B L S

Function Available
 1 6 5 4 3 2 7 8 9 10 11 14 12 13

PERFORMANCE P-Q CURVE



OUTLINE DIMENSIONS



XTREME SERIES

AC AXIAL FAN

Please refer to *Model Numbering System* for bearing, function and speed level indication. Specifications are subject to changes without notice. Please refer to the formally issued product specification via contacting Y.S. TECH sales department. Visit Y.S. TECH web site at <http://www.ystechusa.com/> for updated information. Customized Specifications are designed accordingly.