



92x92x25mm

- Airflow: 38.1~75.0 CFM
- Static Pressure: 1.5~4.8 mm-H₂O
- Blade / Housing: Plastic Material UL 94V-0 P.B.T.
- Lead Wire: UL1007 #24 AWG
- Weight: 100.0 g

Model No.	Bearing	Rated Voltage	Operating Voltage Range	Speed	Max. Airflow	Max. Static Pressure	Current	Power Consumption	Life at 40°C L10	P-Q Curve	Noise Level
		VDC	VDC	RPM	CFM	mm-H ₂ O	mA	W	Hour		dB(A)
YW09225012SL	S		7~13.2	1800	38.1	1.5	100	1.20	30000	5	25.0
YW09225012SM	S		7~13.2	2300	48.7	2.2	160	1.92	30000	4	32.0
YW09225012SH	S		7~13.2	2700	61.4	2.7	200	2.40	25000	3	36.5
YW09225012BSSS	S		7~13.2	3000	63.1	3.3	260	3.12	20000	2	39.0
YW09225012BL	2B	12	7~13.2	1900	40.2	1.7	100	1.20	80000	5	25.0
YW09225012BM	2B		7~13.2	2400	50.8	2.4	160	1.92	80000	4	33.0
YW09225012BH	2B		7~13.2	2800	63.7	3.0	230	2.76	75000	3	37.5
YW09225012BS	2B		7~13.2	3100	66.3	3.7	260	3.12	65000	2	40.0
YW09225012BSS	2B		7~13.2	3500	75.0	4.8	360	4.32	65000	1	42.5
YW09225024BL	2B	24	12~26.4	1900	40.2	1.7	60	1.44	80000	5	25.0
YW09225024BM	2B		12~26.4	2400	50.8	2.4	80	1.92	80000	4	33.0
YW09225024BH	2B		12~26.4	2800	63.7	3.0	130	3.12	75000	3	37.5
YW09225024BS	2B		12~26.4	3600	81.9	3.9	190	4.56	65000	1	47.5
YW09225048BL	2B	48	24~56.0	1900	40.2	1.7	30	1.44	80000	5	25.0
YW09225048BM	2B		24~56.0	2400	50.8	2.4	55	2.64	80000	4	33.0
YW09225048BH	2B		24~56.0	2800	63.7	3.0	70	3.36	75000	3	37.5

Buy Now

2B: 2-ball bearing L: sintetico bearing S: sleeve bearing

Voltage Available

Bearing System Available

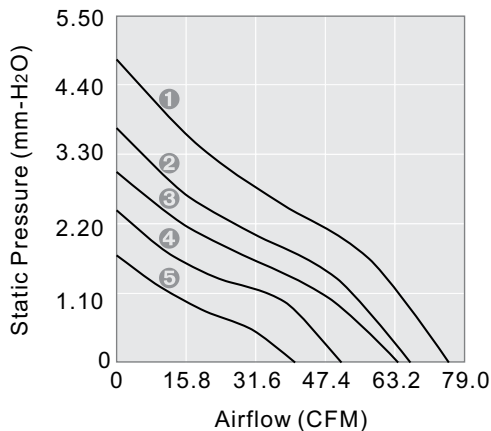
Function Available

05 12 24 48

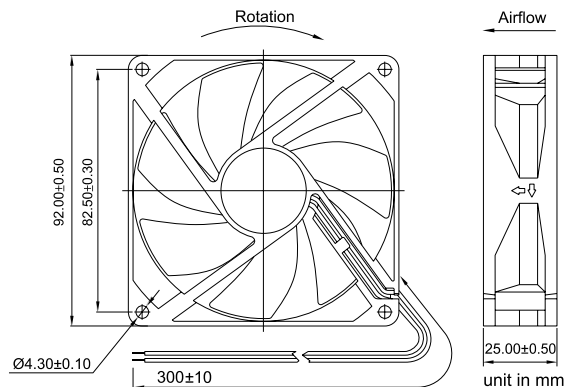
2B L S

1 6 5 4 3 2 7 8 9 10 11 14 12 13

PERFORMANCE P-Q CURVE



OUTLINE DIMENSIONS



Please refer to *Model Numbering System* for bearing, function and speed level indication. Specifications are subject to changes without notice. Please refer to the formally issued product specification via contacting Y.S. TECH sales department. Visit Y.S. TECH web site at <http://www.ystechusa.com/> for updated information. Customized Specifications are designed accordingly.