



80x80x20mm

- Airflow: 22.7~37.0 CFM
- Static Pressure: 1.3~4.4 mm-H₂O
- Blade / Housing: Plastic Material UL 94V-0 P.B.T.
- Lead Wire: UL1007 #24 AWG
- Weight: 85.0 g

DC AXIAL FAN

DC BLOWER

Model No.	Bearing	Rated Voltage VDC	Operating Voltage Range VDC	Speed RPM	Max. Airflow CFM	Max. Static Pressure mm-H ₂ O	Current mA	Power Consumption W	Life at 40°C L10 Hour	P-Q Curve	Noise Level dB(A)
YW08020012BL	2B	12	7~13.2	2100	23.3	1.4	100	1.20	80000	4	22.9
YW08020012BM	2B		7~13.2	2600	31.0	2.2	110	1.32	80000	3	27.0
YW08020012BH	2B		7~13.2	3100	37.0	3.2	150	1.80	75000	2	33.5
YW08020012BS	2B		7~13.2	3600	45.2	4.4	200	2.40	65000	1	38.0
YW08020012SL	S	12	7~13.2	1900	22.7	1.3	100	1.20	30000	4	22.5
YW08020012SM	S		7~13.2	2400	28.2	1.9	110	1.32	30000	3	25.0
YW08020012SH	S		7~13.2	2900	32.7	3.1	150	1.80	25000	2	33.5
YW08020024BL	2B		24	12~26.4	2100	23.3	1.4	50	1.20	80000	4
YW08020024BM	2B	12~26.4		2600	31.0	2.2	66	1.58	80000	3	27.0
YW08020024BH	2B	12~26.4		3100	37.0	3.2	100	2.40	75000	2	33.5
YW08020024BS	2B	12~26.4		3600	45.2	4.4	150	3.24	65000	1	38.0

[Buy Now](#)

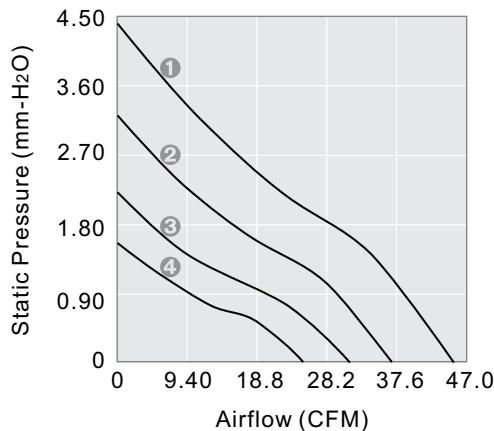
2B: 2-ball bearing L: sintetico bearing S: sleeve bearing

Voltage Available
05 12 24 48

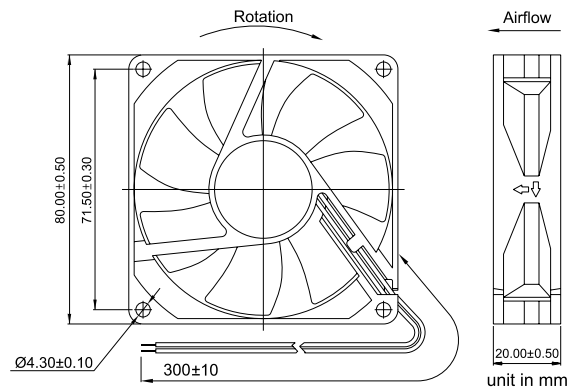
Bearing System Available
2B L S

Function Available
1 6 5 4 3 2 7 8 9 10 11 14 12 13

PERFORMANCE P-Q CURVE



OUTLINE DIMENSIONS



XTREME SERIES

AC AXIAL FAN

Please refer to *Model Numbering System* for bearing, function and speed level indication. Specifications are subject to changes without notice. Please refer to the formally issued product specification via contacting Y.S. TECH sales department. Visit Y.S. TECH web site at <http://www.ystechusa.com/> for updated information. Customized Specifications are designed accordingly.