



70x70x25mm

- **Airflow:** 25.0~49.0 CFM
- **Static Pressure:** 3.0~10.06 mm-H₂O
- **Blade / Housing:** Plastic Material UL 94V-0 P.B.T.
- **Lead Wire:** UL1007 #24 AWG
- **Weight:** 82.0 g

DC AXIAL FAN

DC BLOWER

XTREME SERIES

AC AXIAL FAN

Model No.	Bearing	Rated Voltage VDC	Operating Voltage Range VDC	Speed RPM	Max. Airflow CFM	Max. Static Pressure mm-H ₂ O	Current mA	Power Consumption W	Life at 40°C L10 Hour	P-Q Curve	Noise Level dB(A)
YW07025012BL	2B	12	7~13.2	3000	25.0	3.0	90	1.08	80000	4	29.0
YW07025012BM	2B		7~13.2	4000	33.1	5.0	170	2.04	80000	3	34.5
YW07025012BH	2B		7~13.2	5000	40.5	7.2	300	3.60	75000	2	41.0
YW07025012BS	2B		7~13.2	6000	49.0	10.6	400	4.80	65000	1	47.0
YW07025012SL	S		7~13.2	2900	24.9	3.0	110	1.32	30000	4	28.0
YW07025012SM	S		7~13.2	3900	33.0	4.9	210	2.52	30000	3	33.5
YW07025012SH	S		7~13.2	4900	36.7	7.1	300	3.60	25000	2	40.0
YW07025012SS	S		7~13.2	5900	48.1	10.2	400	4.80	20000	1	46.0

Buy Now

2B: 2-ball bearing L: sintetico bearing S: sleeve bearing

Voltage Available

05 12 24 48

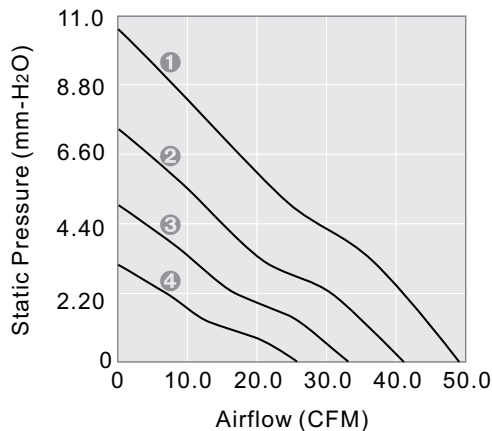
Bearing System Available

2B L S

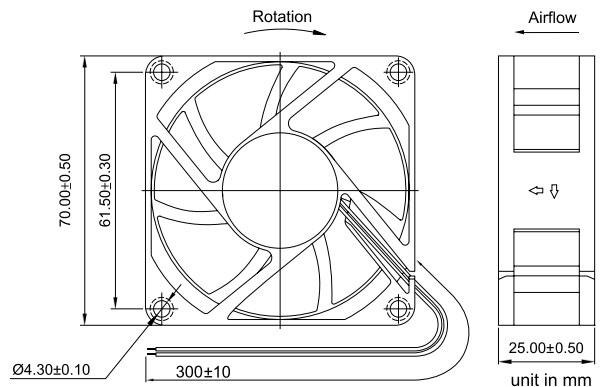
Function Available

1 6 5 4 3 2 7 8 9 10 11 14 12 13

PERFORMANCE P-Q CURVE



OUTLINE DIMENSIONS



Please refer to *Model Numbering System* for bearing, function and speed level indication. Specifications are subject to changes without notice. Please refer to the formally issued product specification via contacting Y.S. TECH sales department. Visit Y.S. TECH web site at <http://www.ystechusa.com/> for updated information. Customized Specifications are designed accordingly.