



70x70x15mm

- Airflow: 27.9~39.5 CFM
- Static Pressure: 3.5~6.8 mm-H₂O
- Blade / Housing: Plastic Material UL 94V-0 P.B.T.
- Lead Wire: UL1007 #26 AWG
- Weight: 54.0 g

Model No.	Bearing	Rated Voltage	Operating Voltage Range	Speed	Max. Airflow	Max. Static Pressure	Current	Power Consumption	Life at 40°C L10	P-Q Curve	Noise Level
		VDC	VDC	RPM	CFM	mm-H ₂ O	mA	W	Hour		dB(A)
YW07015012BL	2B	12	7~13.2	3800	27.9	3.5	130	1.56	80000	4	34.0
YW07015012BM	2B		7~13.2	4300	31.6	4.4	190	2.28	80000	3	39.0
YW07015012BH	2B		7~13.2	4800	35.3	5.4	260	3.12	75000	2	41.5
YW07015012BS	2B		7~13.2	5500	39.5	6.8	400	4.80	65000	1	45.5
YW07015012SL	S		7~13.2	3800	27.9	3.5	160	1.86	30000	4	34.0
YW07015012SM	S		7~13.2	4300	31.6	4.4	220	2.64	30000	3	39.0
YW07015012SH	S		7~13.2	4800	35.3	5.4	280	3.36	25000	2	41.5

[Buy Now](#)

2B: 2-ball bearing L: sintetico bearing S: sleeve bearing

Voltage Available

05 12 24 48

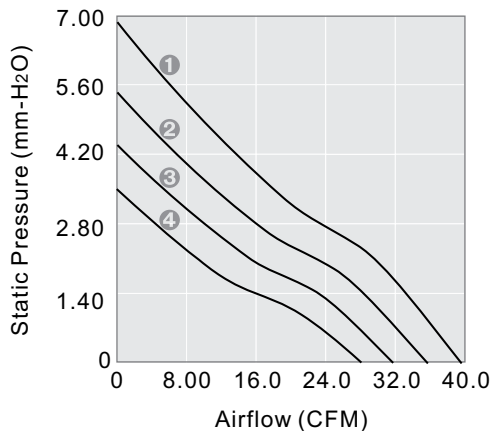
Bearing System Available

2B L S

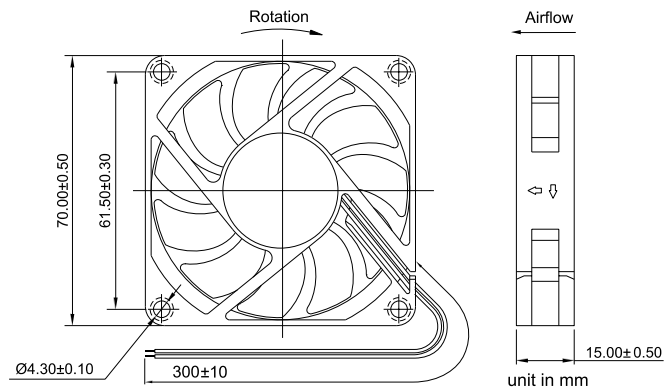
Function Available

1 6 5 6 3 2 7 8 9 10 11 14 12 13

PERFORMANCE P-Q CURVE



OUTLINE DIMENSIONS



Please refer to *Model Numbering System* for bearing, function and speed level indication. Specifications are subject to changes without notice. Please refer to the formally issued product specification via contacting Y.S. TECH sales department. Visit Y.S. TECH web site at <http://www.ystechusa.com/> for updated information. Customized Specifications are designed accordingly.